

TC 50 series

Polyamide filler plug



Technical data

Filler and Drain Plugs

Polyamide filler plug

TC50 is a range of plastic compact air breathers and filler plugs for protection of the tank against the solid contamination contained into the air and filling of the fluid into the systems during the commissioning and maintenance procedures. They are directly fitted on the tank.

Available features:

- G 1" male threaded connection, with or without nut
- Metal filtration, to hold the coarse contamination contained into the air
- Filling basket, to hold the coarse contamination contained into the fluid and to diffuse the fluid flow into the tank
- Caps with different graphics and colours, for the use in several applications

Common applications:

- Hydraulic systems
- Mobile machines
- Industrial equipment

Materials

- Cover: Polyamide
- Filter element: Galvanized steel
- Filler cap: Polyamide
- Strainer: Galvanized steel / Polyamide
AISI 304 / Polyamide
- Collar: Polyamide
- Seals: Inorganic fibre
- Ringnut: Phosphatized steel

Temperature

From -25 °C to +100 °C

Weight

TC 50 G1" conn. 0.70 kg
TC 50 with ringnut 0.10 kg

Quantity

25 pcs/pack



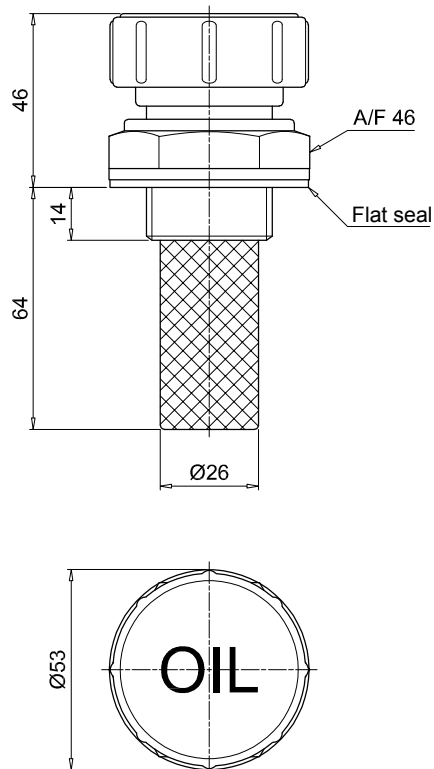
Designation & Ordering code

COMPLETE FILLER PLUG

Series	Configuration example :	TC50	G1	L90	P	R	O	C70	P01
TC50									
Connections									
G1	G 1"								
GA	With ringnut								
Filtration rating									
L90	Galvanized steel								
Seals									
P	Inorganic fiber								
Cover colour									
R	Red								
Y	Yellow								
Cover wording									
O	Oil								
N	Neutral								
Basket									
S	Without basket								
C70	With basket 70 mm - galvanized steel								
I70	With basket 70 mm - AISI 304								
Execution									
P01 MP Filtri standard									
Pxx Customized									

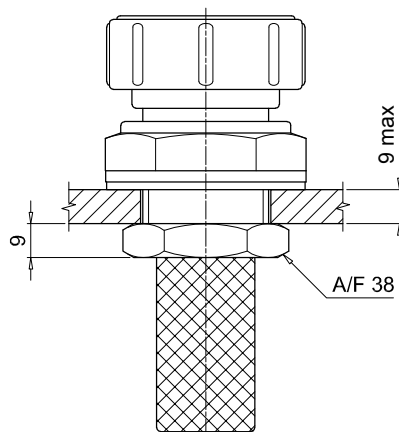
TC50

Threaded connection



TC50

With ringnut



Through hole on the tank

