

# FHA 051 series

Maximum working pressure up to 56 MPa (560 bar) - Flow rate up to 150 l/min



## INSTALLATION, SERVICE AND MAINTENANCE MANUAL AND SAFETY INSTRUCTIONS



Please scan or click the QR codes to get updated electronic version of the related document.



Scan or click me!

## Description

## Technical data

### High Pressure filters

#### In-line

**Maximum working pressure up to 56 MPa (560 bar)**

**Flow rate up to 150 l/min**

FHA is a range of high pressure filter for protection of sensitive components in high pressure hydraulic systems in the mobile machines. They are directly connected to the lines of the system through the hydraulic fittings.

#### Available features:

- Female threaded connections up to 3/4", for a maximum flow rate of 150 l/min
- Fine filtration rating, to get a good cleanliness level into the system
- Bypass valve, to relieve excessive pressure drop across the filter media
- Check valve, to protect the system against reverse flow
- Reverse flow valve, to allow bidirectional flow through the filter housing. The back flow is not filtered
- Low collapse filter element "N", for use with filters provided with bypass valve
- Low collapse filter element with external support "R", for filter element protection against the back pressure caused by the check valve or the reverse flow in filters provided with the bypass valve
- High collapse filter element with external support "S", for filter element protection against the back pressure caused by the check valve or the reverse flow in filters not provided with the bypass valve
- Visual, electrical and electronic differential clogging indicators

#### Common applications:

Delivery lines, in any heavy duty industrial equipment or mobile machines

#### Filter housing materials

- Head: Steel (chemical heat treatment)
- Housing: Steel (chemical heat treatment)
- Bypass valve: Steel

#### Pressure

- Test pressure: 84 MPa (840 bar)
- Burst pressure: 168 MPa (1680 bar)
- Pulse pressure fatigue test: 1 00 000 cycles with pressure from 0 to 56 MPa (560 bar)

#### Bypass valve

- Opening pressure 600 kPa (6 bar) ±10%
- Other opening pressures on request.

#### Δp element type

- Microfibre filter elements - series N-R: 20 bar
- Microfibre filter elements - series S: 210 bar
- Wire mesh filter elements - series N: 20 bar
- Fluid flow through the filter element from OUT to IN

#### Seals

- Standard NBR series A
- Optional FPM series V

#### Temperature

From -25 °C to +110 °C

#### Connections

In-line Inlet/Outlet

#### Note

FHA filters are provided for vertical mounting

## Weights [kg] and volumes [dm<sup>3</sup>]

Filter series	Weights [kg]					Volumes [dm <sup>3</sup> ]						
	Length	1	2	3	4	5	Length	1	2	3	4	5
<b>FHA 051</b>		3.28	3.65	4.06	4.54	5.74		0.33	0.47	0.62	0.79	1.23

Flow rates [l/min]

Filter series	Length	Filter element design - N Series						Filter element design - R Series					Filter element design - S Series				
		A03	A06	A10	A16	A25	M25	A03	A06	A10	A16	A25	A03	A06	A10	A16	A25
<b>FHA 051</b>	<b>1</b>	42	41	82	85	110	156	42	41	82	85	110	30	40	58	60	76
	<b>2</b>	53	58	87	100	127	158	53	58	87	100	127	45	50	78	91	120
	<b>3</b>	68	71	101	111	137	160	68	71	101	111	137	59	62	92	103	131
	<b>4</b>	86	92	118	121	142	162	86	92	118	121	142	77	83	110	113	137
	<b>5</b>	112	115	137	142	150	165	112	115	137	142	150	96	99	116	128	147

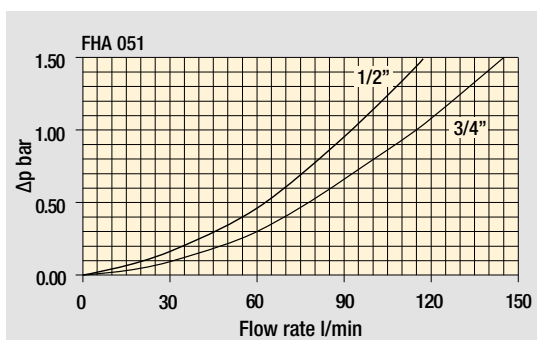
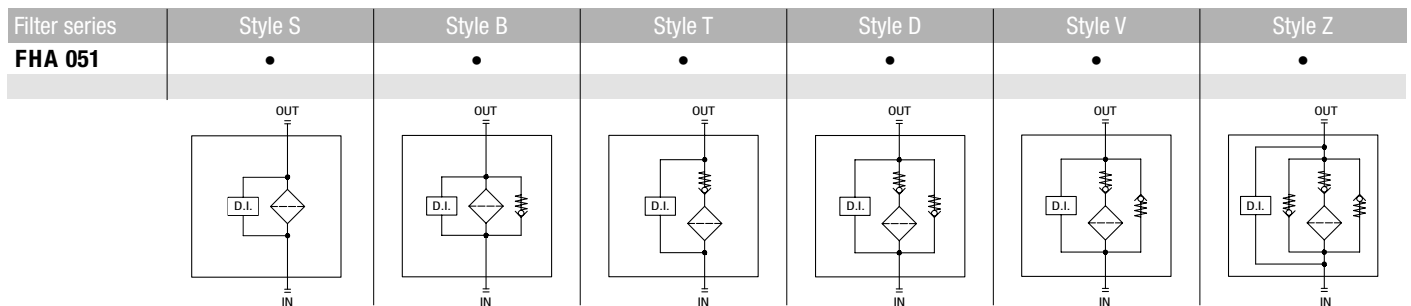
**Maximum flow rate for a complete pressure filter with a pressure drop  $\Delta p = 1.5$  bar.**

The reference fluid has a kinematic viscosity of 30 mm<sup>2</sup>/s (cSt) and a density of 0.86 kg/dm<sup>3</sup>.

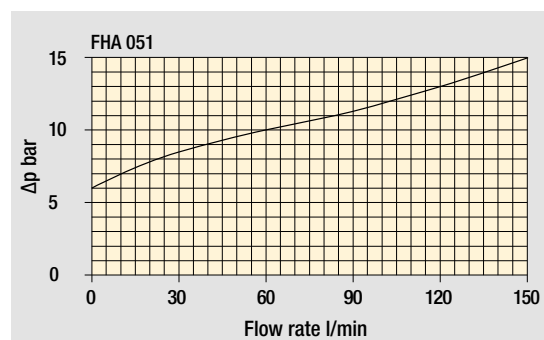
For different pressure drop or fluid viscosity we recommend to use our selection software available on [www.mpfiltri.com](http://www.mpfiltri.com).

You can also calculate the right size using the formulas present on the FILTER SIZING paragraph at the beginning of the full catalogue or at the beginning of the filter family brochure. Please, contact our Sales Department for further additional information.

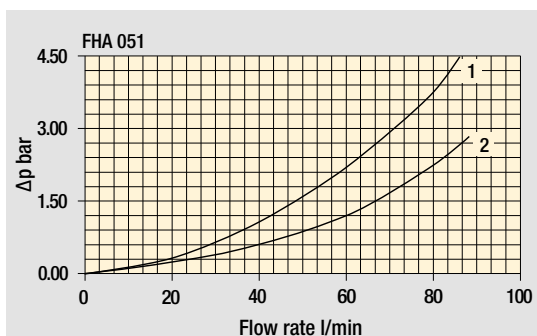
**Hydraulic symbols**



Filter housings  $\Delta p$  pressure drop



Pressure drop  
Bypass valve pressure drop



Pressure drop in reverse flow valves

- 1 - Reverse flow
- 2 - In filter direction

The curves are plotted using mineral oil with density of 0.86 kg/dm<sup>3</sup> in compliance with ISO 3968.  $\Delta p$  varies proportionally with density.

# FHA 051

## Designation & Ordering code

### COMPLETE FILTER

Series and size **FHA051** Configuration example: **FHA051** **3** **B** **A** **G** **A10** **N** **P01**

#### Length

1 | 2 | 3 | 4 | 5

#### Valves

- S** Without bypass
- B** With bypass 6 bar
- T** With check valve, without bypass
- D** With check valve, with bypass 6 bar
- V** With reverse flow, without bypass
- Z** With reverse flow, with bypass 6 bar

#### Seals

- A** NBR
- V** FPM

#### Connections

- |                             |                                   |
|-----------------------------|-----------------------------------|
| <b>A</b> M18x1.5 - ISO 6149 | <b>E</b> 1/2" NPT                 |
| <b>B</b> M22x1.5 - ISO 6149 | <b>F</b> 3/4" NPT                 |
| <b>C</b> G 1/2"             | <b>G</b> SAE 8 - 3/4" - 16 UNF    |
| <b>D</b> G 3/4"             | <b>H</b> SAE 12 - 1 1/16" - 12 UN |

#### Filtration rating (filter media)

- A03** Inorganic microfiber 3 µm
- A06** Inorganic microfiber 6 µm
- A10** Inorganic microfiber 10 µm
- A16** Inorganic microfiber 16 µm
- A25** Inorganic microfiber 25 µm
- M25** Wire mesh 25 µm

#### Valves

Element Δp	S	B	T	D	V	Z
<b>N</b> 20 bar	-	•	-	-	-	-
<b>R</b> 20 bar	-	-	-	•	-	•
<b>S</b> 210 bar	•	-	•	-	•	-

#### Execution

- P01** Upper connection for clogging indicator
- P02** Without connection for clogging indicator
- P03** Frontal connection for clogging indicator
- Pxx** Customized

### FILTER ELEMENT

Element series and size **HP050** Configuration example: **HP050** **3** **A10** **A** **N** **P01**

#### Element length

1 | 2 | 3 | 4 | 5

#### Filtration rating (filter media)

- A03** Inorganic microfiber 3 µm
- A06** Inorganic microfiber 6 µm
- A10** Inorganic microfiber 10 µm
- A16** Inorganic microfiber 16 µm
- A25** Inorganic microfiber 25 µm
- M25** Wire mesh 25 µm

#### Seals

- A** NBR
- V** FPM

#### Element Δp

- N** 20 bar
- R** 20 bar
- S** 210 bar

#### Execution

- P01** MP Filtri standard
- Pxx** Customized

To be installed for working pressures up to 420 bar max

### CLOGGING INDICATORS

See page 727

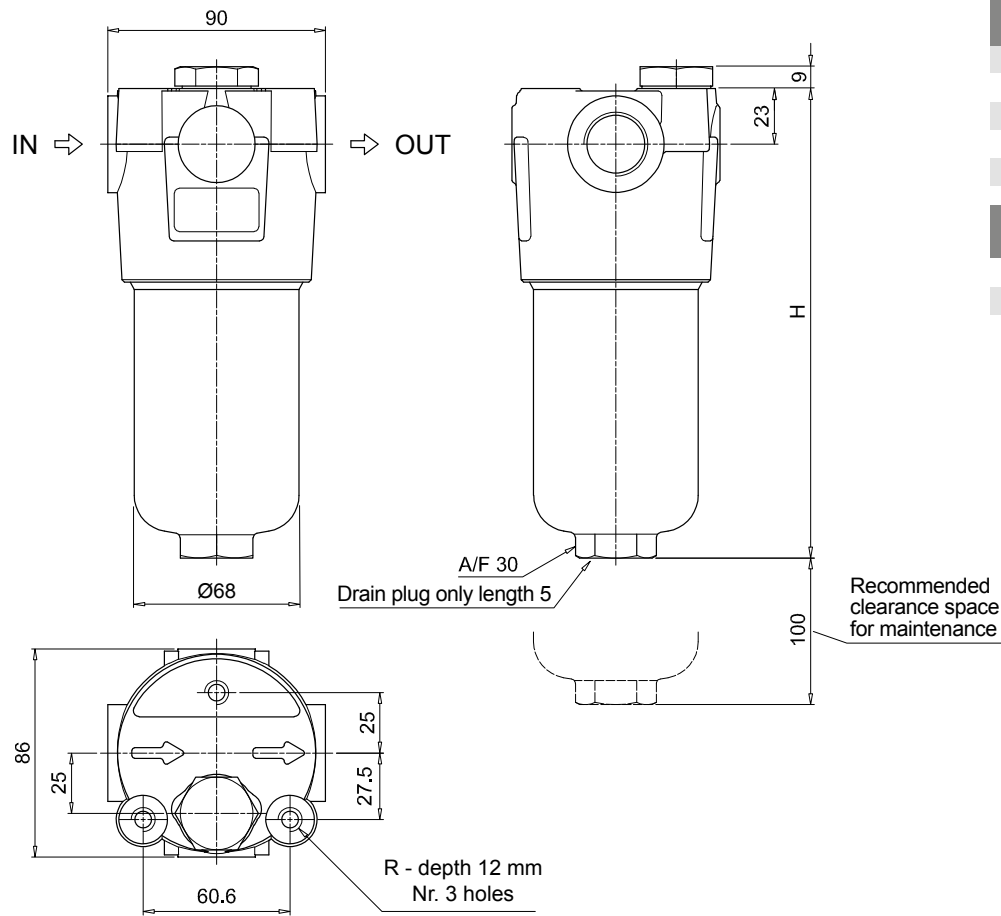
- DEA** Electrical differential pressure indicator
- DEM** Electrical differential pressure indicator
- DEU** Electrical differential pressure indicator
- DLA** Electrical / visual differential pressure indicator

- DLE** Electrical / visual differential pressure indicator
- DTA** Electronic differential pressure indicator
- DVA** Visual differential pressure indicator
- DVM** Visual differential pressure indicator

### PLUGS

See page 747

- T2** Plug (not included)



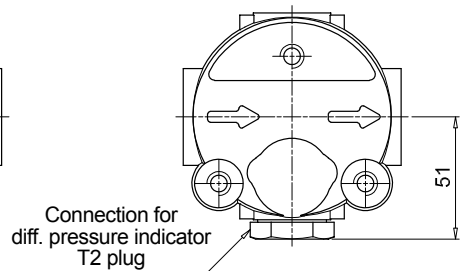
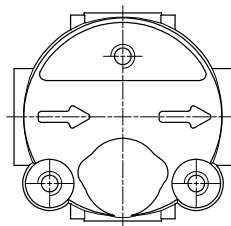
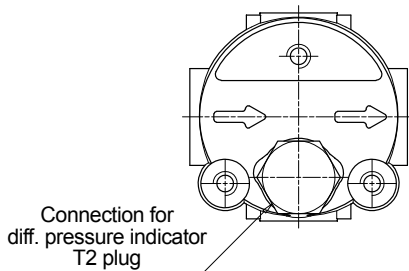
FHA051	
Filter length	H [mm]
1	158
2	195
3	237
4	285
5	407
Connections	R
A-B-C-D	M10
E-F-G-H	3/8" UNC

### Valves S - B - T - D

Execution P01

Execution P02

Execution P03

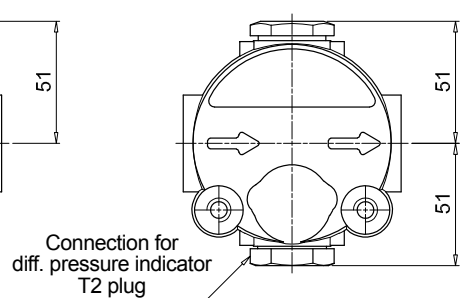
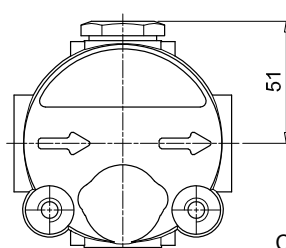
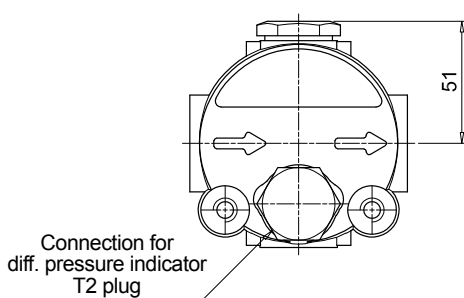


### Valves V - Z

Execution P01

Execution P02

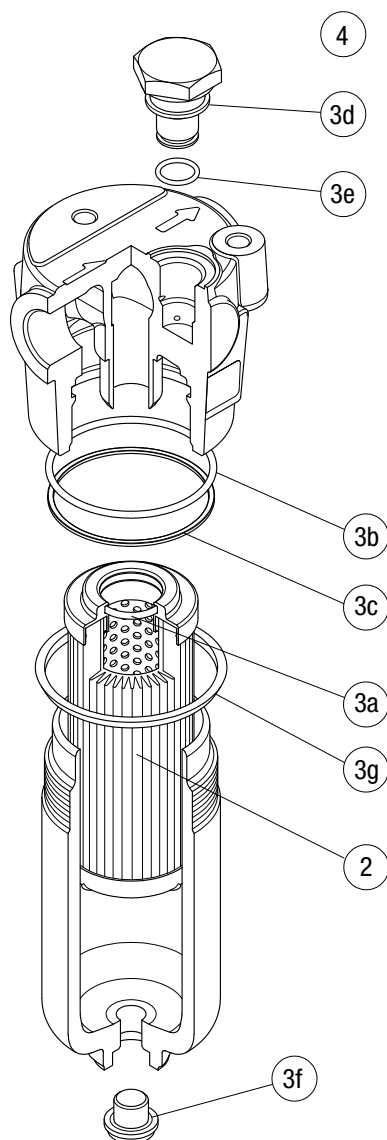
Execution P03



# FHA 051 SPARE PARTS

Order number for spare parts

FHA 051



Item:	Q.ty: 1 pc.	Q.ty: 1 pc.		Q.ty: 1 pc.	
Filter series	Filter element	Seal Kit code number		Indicator connection plug	
FHA 051	See order table	NBR	FPM	NBR	FPM
		02050288	02050305	T2H	T2V

## DIFFERENTIAL PRESSURE INDICATORS

Series	Configuration example 1:							Configuration example 2:		Configuration example 3:		Configuration example 4:		Configuration example 5:	
<b>DE</b> Electrical differential pressure indicator	DE	M	12	H	F	50	P01	DE	U	50	V	A	50	P01	UL
<b>DL</b> Electrical/Visual differential pressure indicator	DL	E	20	V	A	71	P01	DL	E	20	V	A	71	P01	
<b>DT</b> Electronic differential pressure indicator	DT	A	50	H	F	70	P01	DT	A	50	H	F	70	P01	
<b>DV</b> Visual differential pressure indicator	DV	M	70	V			P01	DV	M	70	V			P01	

Type	DE	DL	DT	DV
<b>A</b> Standard type	•	•	•	<b>A</b> With automatic reset
<b>M</b> With wired electrical connection	•	-	-	<b>M</b> With manual reset
<b>U</b> Standard type 210 bar, UL certified	•	-	-	
<b>E</b> For high power supply	-	•	-	

Pressure setting	DEA	DEM	DEU	DLA	DLE	DTA	DVA	DVM
<b>50</b> 5.0 bar	•	•	•	•	•	•	•	•
<b>70</b> 7.0 bar	•	•	•	•	•	•	•	•
<b>95</b> 9.5 bar	•	•	-	•	•	•	•	•

Seals	DEA	DEM	DEU	DLA	DLE	DTA	DVA	DVM
<b>H</b> HNBR	•	•	-	•	•	•	•	•
<b>V</b> FPM	•	•	•	•	•	•	•	•

Thermostat	DEA	DEM	DEU	DLA	DLE	DT
<b>A</b> Without thermostat	•	•	•	•	•	-
<b>F</b> With thermostat	-	•	-	-	•	•

Electrical connections	DEA	DEM	DEU	DLA	DLE	DT
<b>10</b> Connection AMP Superseal series 1.5	-	•	-	-	-	-
<b>20</b> Connection AMP Timer Junior	-	•	-	-	-	-
<b>30</b> Connection Deutsch DT-04-2-P	-	•	-	-	-	-
<b>35</b> Connection Deutsch DT-04-3-P	-	•	-	-	-	-
<b>50</b> Connection EN 175301-803	•	-	•	-	•	-
<b>51</b> Connection EN 175301-803, transparent base with lamps 24 Vdc	-	-	-	•	-	-
<b>52</b> Connection EN 175301-803, transparent base with lamps 110 Vdc	-	-	-	•	-	-
<b>70</b> Connection IEC 61076-2-101 D (M12)	-	-	-	-	-	•
<b>71</b> Connection IEC 61076-2-101 D (M12), black base with lamps 24 Vdc	-	-	-	•	-	-

Option
<b>P01</b> MP Filtri standard
<b>Pxx</b> Customized

Certifications	DEU	OTHERS
Without	-	•
<b>UL</b> UL certification	•	-

## PLUGS

Series	Configuration example	
<b>T2</b> Plug	T2	H

Seals
<b>H</b> HNBR
<b>V</b> FPM