

FZX series

Maximum working pressure up to 100 MPa (1000 bar) - Flow rate up to 10 l/min



INSTALLATION, SERVICE AND MAINTENANCE MANUAL AND SAFETY INSTRUCTIONS



Please scan or click the QR codes
to get updated electronic version
of the related document.



Scan or click me!

Description

Technical data

Stainless steel high pressure filters

In-line

Maximum working pressure up to 100 Mpa (1000 bar)

Flow rate up to 10 l/min

FZX is a range of stainless steel high pressure filter for protection of sensitive components in high pressure hydraulic systems placed in difficult environmental conditions.

They are directly connected to the lines of the system through the hydraulic fittings.

Available features:

- Female threaded connections up to 1/2", for a maximum flow rate of 10 l/min
- Fine filtration rating, to get a good cleanliness level into the system
- High collapse filter element "H"
- High collapse filter element "U", for use with aggressive fluids

Common applications:

- Off-shore equipment
- Water filtration systems
- Systems with strong or corrosive environmental conditions
- Systems with corrosive fluids

Filter housing materials

- Head: AISI 316L
- Housing: AISI 316L

Seals

- Standard NBR series A (-25 °C to +110 °C)
- Optional FPM series V (-20 °C to +120 °C)
- Optional MFQ series F (-50 °C to +120 °C)

Temperature

From -50 °C to +120 °C

Note

FZX filters are provided for vertical mounting

Δp element type

Fluid flow through the filter element from OUT to IN

Microfibre filter elements - series H: 210 bar.

Element series "H":

- End cap: Polyamide
- Core tube: Stainless steel
- External support: Wire mesh Epoxy painted
- Internal support: Wire mesh Stainless steel
- Media/Support/Pre-filter: Microfibre/Synthetic

Stainless Steel Microfibre filter elements

series U: 210 bar.

Element series "U":

- End cap: Stainless steel
- Core tube: Stainless steel
- External support: Stainless steel
- Internal support: Stainless steel
- Media/Support/Pre-filter: Microfibre/Synthetic

Weights [kg] and volumes [dm³]

Filter series	Weights [kg]					Volumes [dm ³]				
	Length	1	2	3	4	Length	1	2	3	4
FZX 011	-	-	6.5	-	-	-	-	0.15	-	-

Flow rates [l/min]

Filter series	Length	Filter element design - H-U Series				
		A03	A06	A10	A16	A25
FZX 011	3	1.57	1.63	1.73	1.74	1.77

Maximum flow rate for a complete stainless steel high pressure filter with a pressure drop $\Delta p = 1.5$ bar.

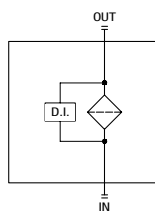
The reference fluid has a kinematic viscosity of 30 mm²/s (cSt) and a density of 0.86 kg/dm³.

For different pressure drop or fluid viscosity we recommend to use our selection software available on www.mpfiltri.com.

You can also calculate the right size using the formulas present on the FILTER SIZING paragraph at the beginning of the full catalogue or at the beginning of the filter family brochure. Please, contact our Sales Department for further additional information.

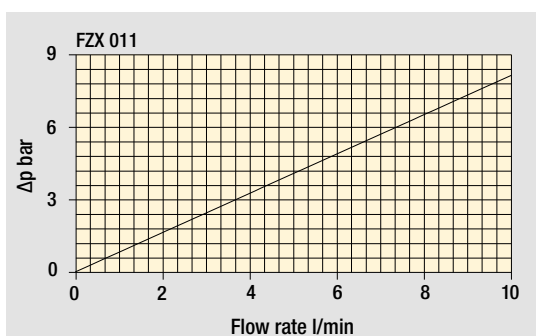
Hydraulic symbols

Filter series	Style S
FZX 011	•



Pressure drop

Filter housings Δp pressure drop



The curves are plotted using mineral oil with density of 0.86 kg/dm³ in compliance with ISO 3968. Δp varies proportionally with density.

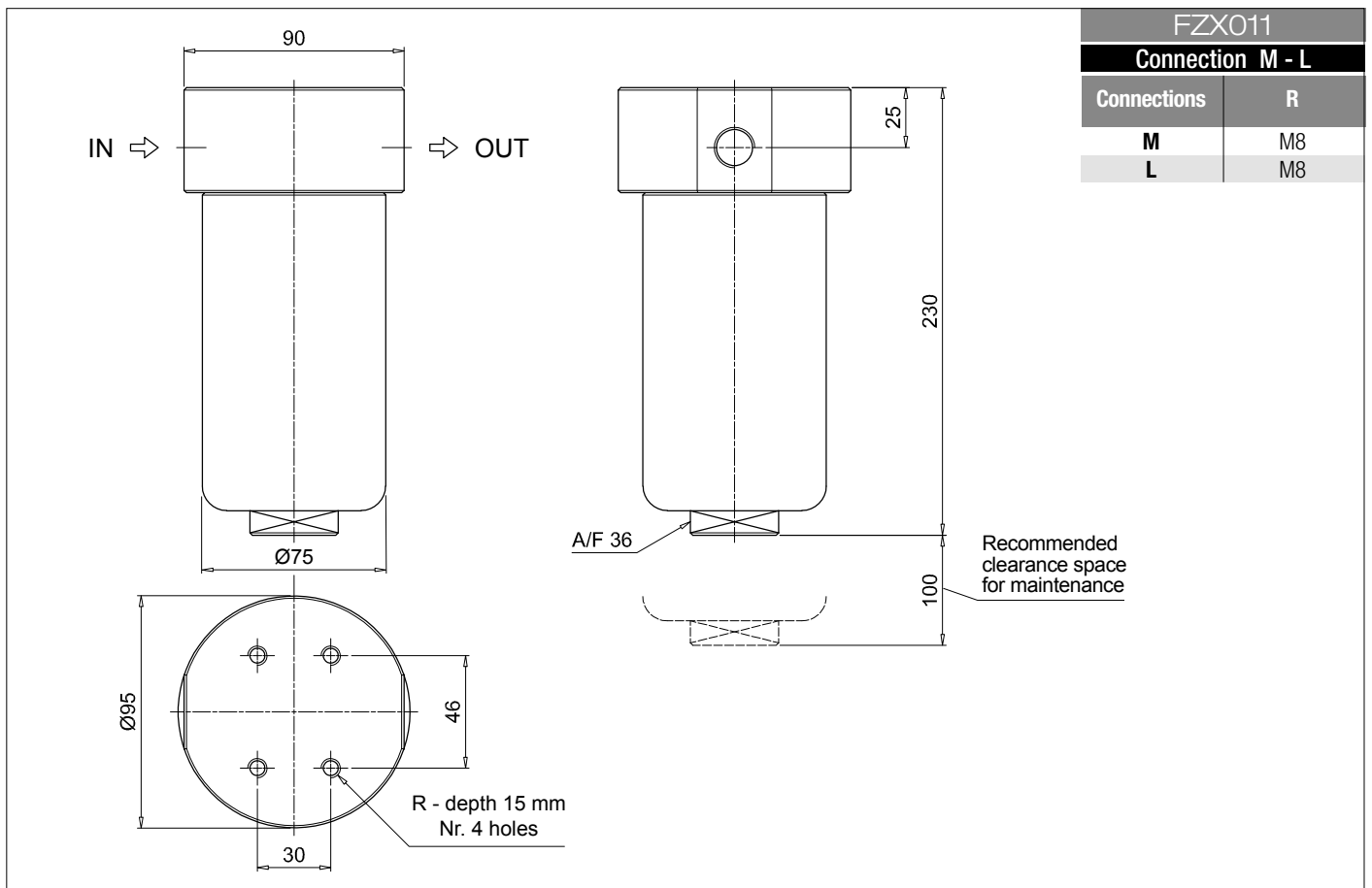
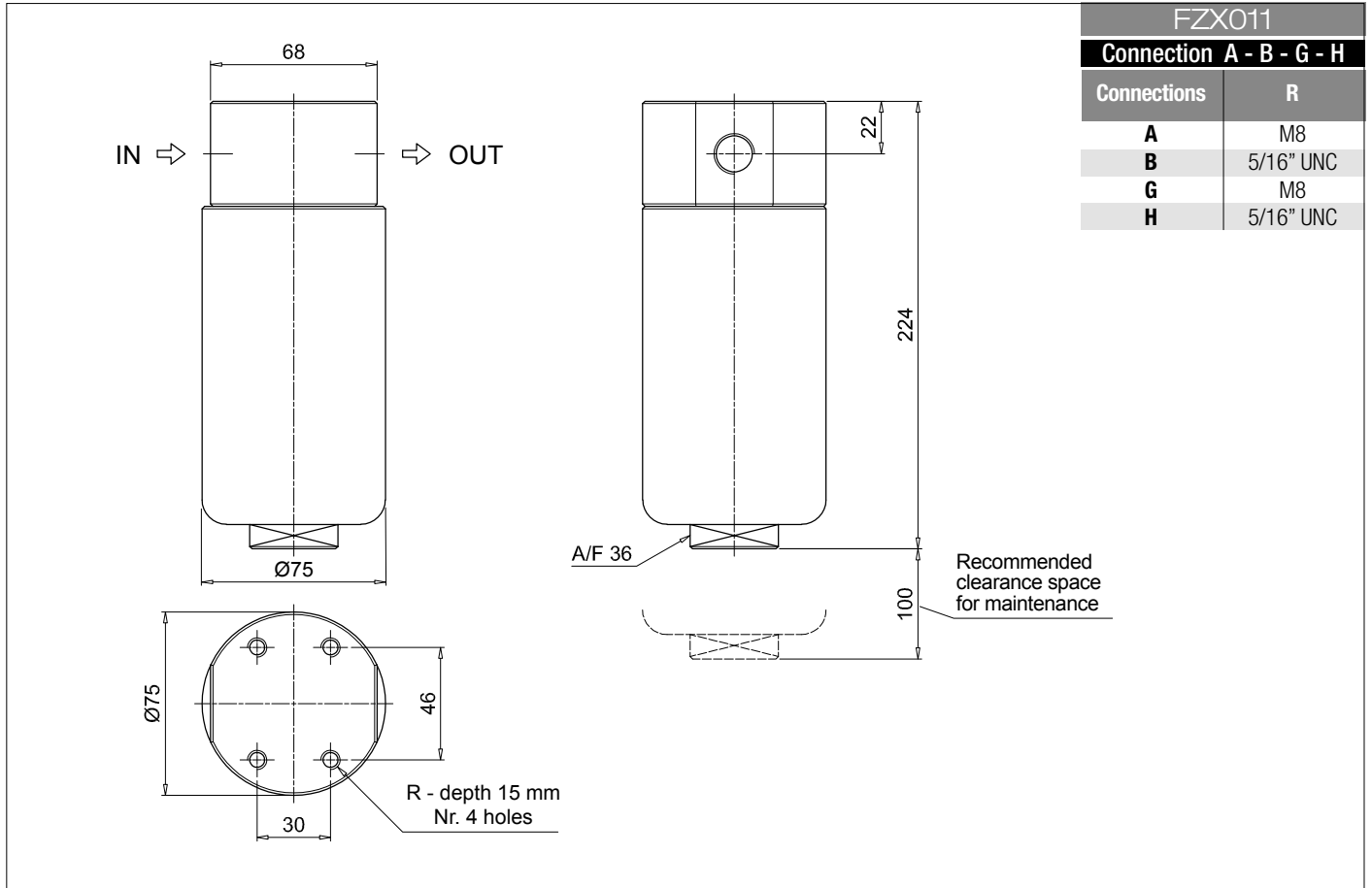
Designation & Ordering code

COMPLETE FILTER

Filter series and size	Configuration example: FZX011 3 S V B 1 A03 U P01										
FZX011											
Filter length	3										
Bypass valve	S Without bypass										
Seals	A NBR										
	V FPM										
	F MFQ										
Connections	700 bar										
	A G 1/4"										
	B 1/4" NPT										
	G G 1/2"										
	H 1/2" NPT"										
	Autoclave 1000 bar										
	M 9/16" - 18 UNF										
	L 3/4" - 14 NPS										
Connection for differential pressure indicators	1 Without connection										
Filtration rating (filter media)	A03 Inorganic microfiber 3 µm										
	A06 Inorganic microfiber 6 µm										
	A10 Inorganic microfiber 10 µm										
	A16 Inorganic microfiber 16 µm										
	A25 Inorganic microfiber 25 µm										
Element Δp	H 210 bar										
	U 210 bar, stainless steel filter element										
	Execution										
	P01 MP Filtri standard										
	Pxx Customized										

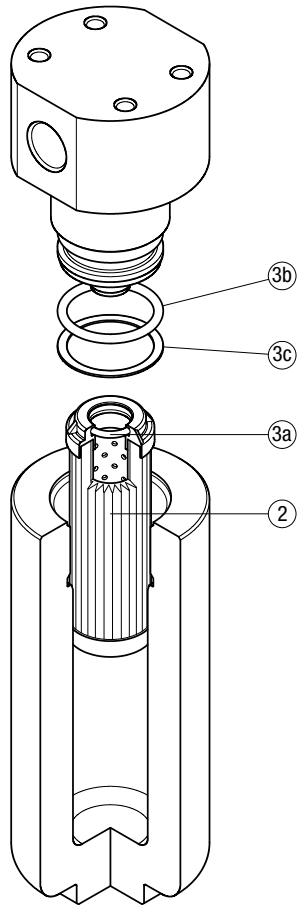
FILTER ELEMENT

Element series and size	Example: HP011 3 A03 V U P01					
HP011						
Element length	3					
Filtration rating (filter media)	A03 Inorganic microfiber 3 µm					
	A06 Inorganic microfiber 6 µm					
	A10 Inorganic microfiber 10 µm					
	A16 Inorganic microfiber 16 µm					
	A25 Inorganic microfiber 25 µm					
Seals	A NBR					
	V FPM					
	F MFQ					
Element Δp	H 210 bar					
	U 210 bar, stainless steel filter element					
	Execution					
	P01 MP Filtri standard					
	Pxx Customized					



Order number for spare parts

FZX 011



Filter series	Filter element	Seal Kit code number		
		NBR	FPM	MFQ
FZX 011	See order table	02050643	02050644	02050646