

# FZX series

Maximum working pressure up to 100 Mpa (1000 bar) - Flow rate up to 10 l/min



## INSTALLATION, SERVICE AND MAINTENANCE MANUAL AND SAFETY INSTRUCTIONS



Please scan or click the QR codes to get updated electronic version of the related document.



*Scan or click me!*

## Description

## Technical data

### Filters for potentially explosive atmosphere

#### In-line

**Maximum working pressure up to 100 Mpa (1000 bar)**  
**Flow rate up to 10 l/min**

FZX is a range of stainless steel high pressure filter for protection of sensitive components in high pressure hydraulic systems placed in difficult environmental conditions.

They are directly connected to the lines of the system through the hydraulic fittings.

#### Available features:

- 1/2" female threaded connections, for a maximum flow rate of 10 l/min
- Fine filtration rating, to get a good cleanliness level into the system
- High collapse filter element "H", for use with filters not provided with bypass valve
- High collapse filter element "U", for use with aggressive fluids

#### Common applications:

- Off-shore equipment
- Water filtration systems
- Systems with strong or corrosive environmental conditions
- Systems with corrosive fluids

#### Filter housing materials

- Head: AISI 316L
- Housing: AISI 316L
- Bypass valve: AISI 316L

#### Seals

- Standard NBR series A
- Optional FPM series V
- Optional MFQ series F

#### Bypass valve

Opening pressure 6 bar  $\pm$ 10%

#### Note

FZX filters are provided for vertical mounting

#### $\Delta p$ element type

Fluid flow through the filter element from OUT to IN

Microfibre filter elements - series H: 210 bar.

Element series "H":

- End cap: Tinned steel
- Core tube: Tinned steel
- External support: Wire mesh Epox painted
- Internal support: Wire mesh Stainless steel
- Media/Support/Pre-filter: Microfibre/Syntetic

Stainless Steel Microfibre filter elements series U: 210 bar.

Element series "U":




- End cap: Stainless steel
- Core tube: Stainless steel
- External support: Stainless steel
- Internal support: Stainless steel
- Media/Support/Pre-filter: Microfibre/Syntetic

#### Temperature




| Seals     | Ambient Temperature | Max fluid Temperature | Temperature Class | Max surface temperature |
|-----------|---------------------|-----------------------|-------------------|-------------------------|
| NBR       | -15 °C ÷ +80 °C     | +80 °C                | T6                | T85 °C                  |
| FPM / MFQ | -15 °C ÷ +80 °C     | +80 °C                | T6                | T85 °C                  |
|           | -15 °C ÷ +95 °C     | +95 °C                | T5                | T100 °C                 |
|           | -15 °C ÷ +110 °C    | +110 °C               | T4                | T115 °C                 |

#### Filter with:

NBR seal in configuration **zerospark<sup>®</sup>**

   II 3G Ex h IIC T6 Gc X  
II 3D Ex h IIIC T85°C Dc X

FPM / MFQ seal in configuration **zerospark<sup>®</sup>**

   II 3G Ex h IIC T6... T4 Gc X  
II 3D Ex h IIIC T85°C...T115°C Dc X

## Weights [kg] and volumes [dm<sup>3</sup>]

| Filter series  | Weights [kg] |   |     |   |   | Volumes [dm <sup>3</sup> ] |   |   |      |   |
|----------------|--------------|---|-----|---|---|----------------------------|---|---|------|---|
|                | Length       | 1 | 2   | 3 | 4 | Length                     | 1 | 2 | 3    | 4 |
| <b>FZX 011</b> | -            | - | 6.5 | - | - | -                          | - | - | 0.15 | - |

Flow rates [l/min]

| Filter series  | Length   | Filter element design - H-U Series |      |      |      |      |
|----------------|----------|------------------------------------|------|------|------|------|
|                |          | A03                                | A06  | A10  | A16  | A25  |
| <b>FZX 011</b> | <b>3</b> | 1.57                               | 1.63 | 1.73 | 1.74 | 1.77 |

**Maximum flow rate for a complete stainless steel high pressure filter with a pressure drop  $\Delta p = 1.5$  bar.**

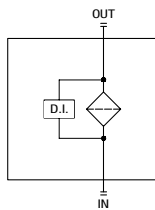
The reference fluid has a kinematic viscosity of 30 mm<sup>2</sup>/s (cSt) and a density of 0.86 kg/dm<sup>3</sup>.

For different pressure drop or fluid viscosity we recommend to use our selection software available on [www.mpfiltri.com](http://www.mpfiltri.com).

You can also calculate the right size using the formulas present on the FILTER SIZING paragraph at the beginning of the full catalogue or at the beginning of the filter family brochure. Please, contact our Sales Department for further additional information.

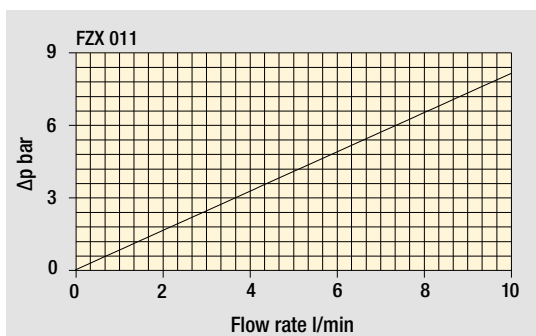
Hydraulic symbols

| Filter series  | Style S |
|----------------|---------|
| <b>FZX 011</b> | •       |



Pressure drop

Filter housings  $\Delta p$  pressure drop



The curves are plotted using mineral oil with density of 0.86 kg/dm<sup>3</sup> in compliance with ISO 3968.  $\Delta p$  varies proportionally with density.

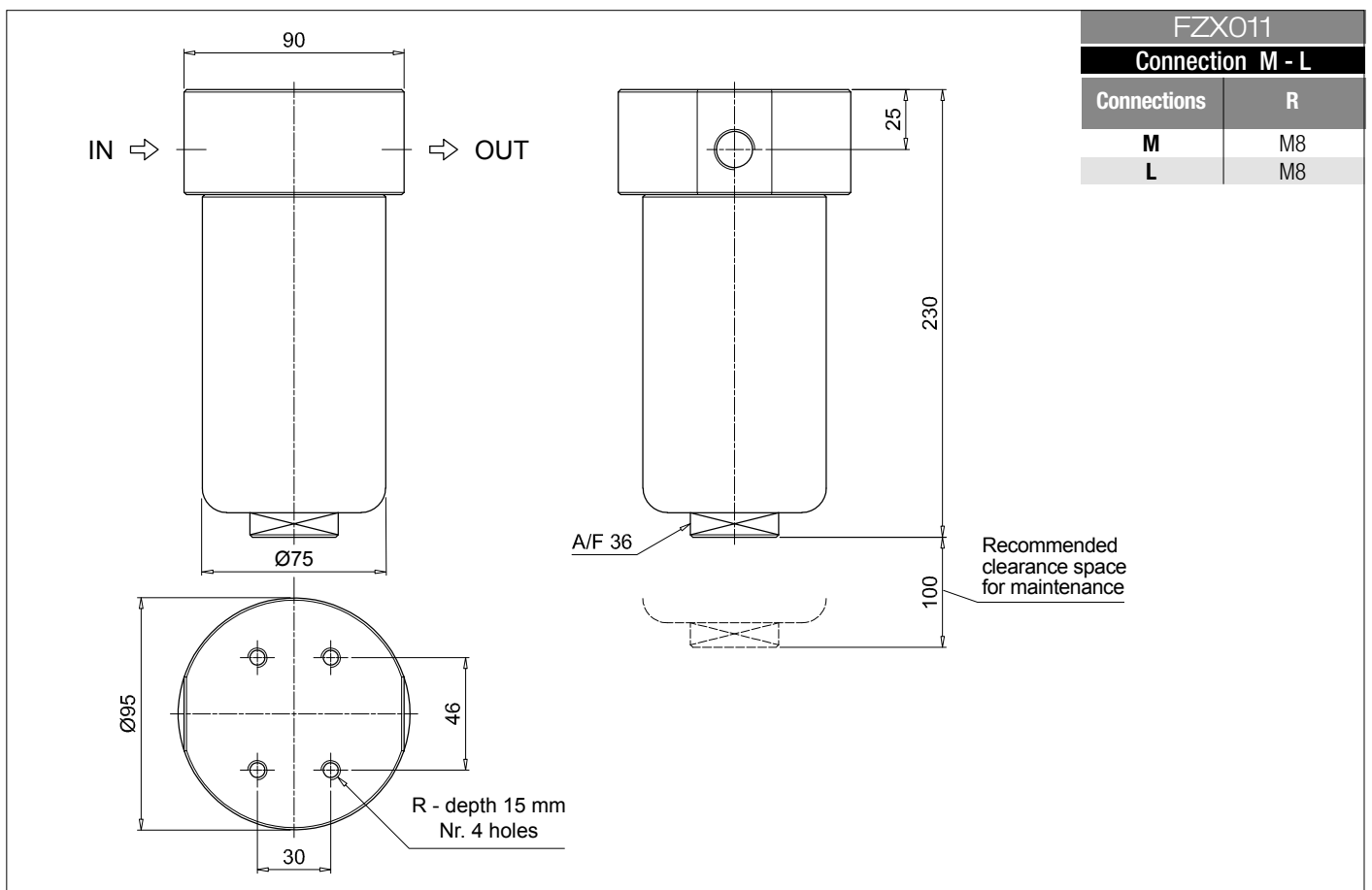
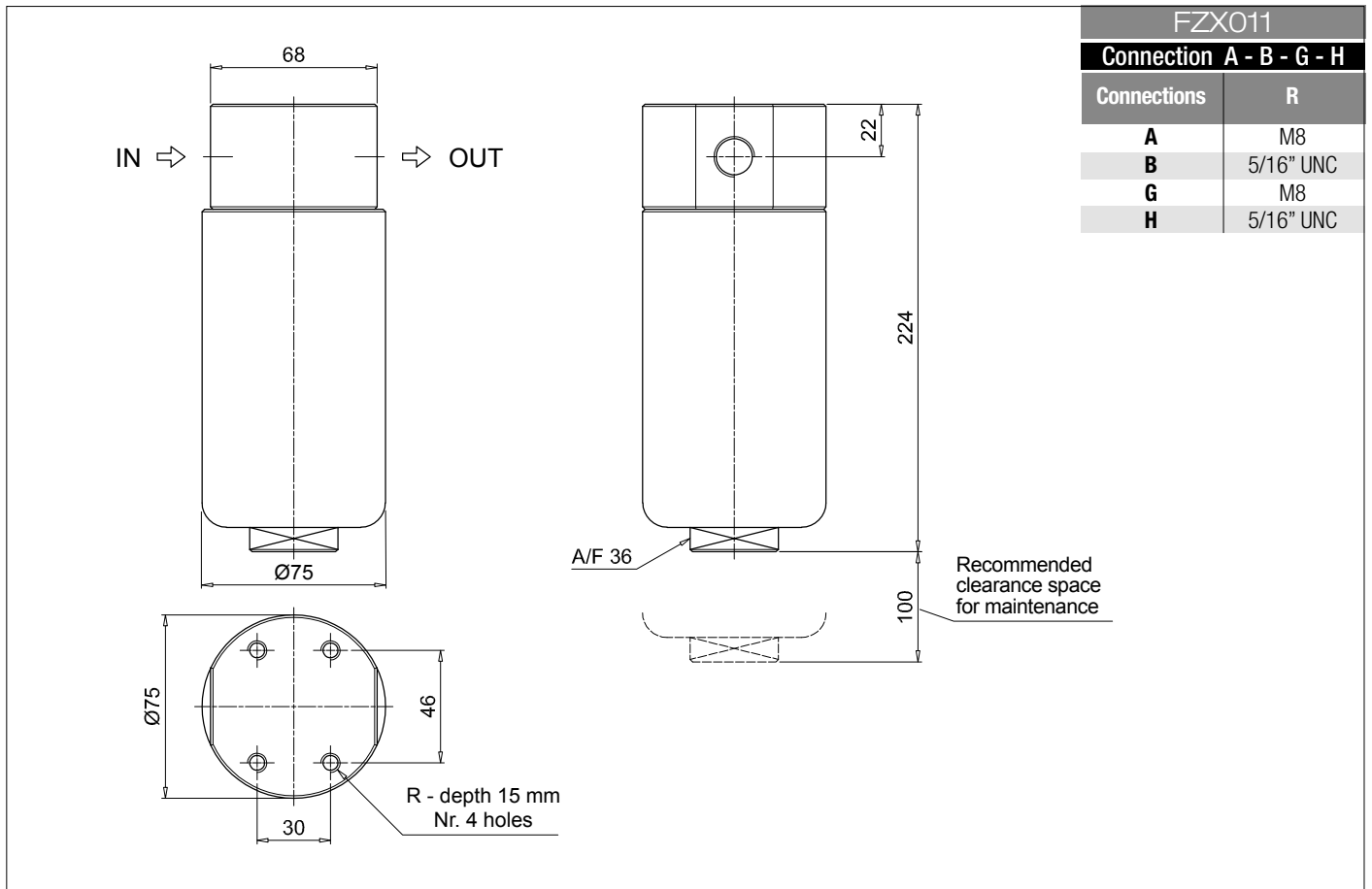
## Designation & Ordering code

### COMPLETE FILTER

|   |                                      |          |          |          |          |          |            |          |            |           |
|---|--------------------------------------|----------|----------|----------|----------|----------|------------|----------|------------|-----------|
| <b>Filter series and size</b>                         | Configuration example: <b>FZX011</b> | <b>3</b> | <b>S</b> | <b>V</b> | <b>B</b> | <b>1</b> | <b>A03</b> | <b>U</b> | <b>Z01</b> | <b>EX</b> |
| <b>FZX011</b>   |                                      |          |          |          |          |          |            |          |            |           |
| <b>Filter length</b>                                  |                                      |          |          |          |          |          |            |          |            |           |
| <b>3</b>  |                                      |          |          |          |          |          |            |          |            |           |
| <b>Bypass valve</b>                                   |                                      |          |          |          |          |          |            |          |            |           |
| <b>S Without bypass</b>                               |                                      |          |          |          |          |          |            |          |            |           |
| <b>Seals</b>  |                                      |          |          |          |          |          |            |          |            |           |
| <b>A NBR</b>  |                                      |          |          |          |          |          |            |          |            |           |
| <b>V FPM</b>  |                                      |          |          |          |          |          |            |          |            |           |
| <b>F MFQ</b>  |                                      |          |          |          |          |          |            |          |            |           |
| <b>Connections</b>                                    |                                      |          |          |          |          |          |            |          |            |           |
| <b>700 bar</b>  |                                      |          |          |          |          |          |            |          |            |           |
| <b>A G 1/4"</b>                                       |                                      |          |          |          |          |          |            |          |            |           |
| <b>B 1/4" NPT</b>                                     |                                      |          |          |          |          |          |            |          |            |           |
| <b>G G 1/2"</b>                                       |                                      |          |          |          |          |          |            |          |            |           |
| <b>H 1/2" NPT"</b>                                    |                                      |          |          |          |          |          |            |          |            |           |
| <b>Autoclave 1000 bar</b>                             |                                      |          |          |          |          |          |            |          |            |           |
| <b>M 9/16" - 18 UNF</b>                               |                                      |          |          |          |          |          |            |          |            |           |
| <b>L 3/4" - 14 NPS</b>                                |                                      |          |          |          |          |          |            |          |            |           |
| <b>Connection for differential pressure indicator</b> |                                      |          |          |          |          |          |            |          |            |           |
| <b>1 Without connection</b>                           |                                      |          |          |          |          |          |            |          |            |           |
| <b>Filtration rating (filter media)</b>               |                                      |          |          |          |          |          |            |          |            |           |
| <b>A03 Inorganic microfiber 3 µm</b>                  |                                      |          |          |          |          |          |            |          |            |           |
| <b>A06 Inorganic microfiber 6 µm</b>                  |                                      |          |          |          |          |          |            |          |            |           |
| <b>A10 Inorganic microfiber 10 µm</b>                 |                                      |          |          |          |          |          |            |          |            |           |
| <b>A16 Inorganic microfiber 16 µm</b>                 |                                      |          |          |          |          |          |            |          |            |           |
| <b>A25 Inorganic microfiber 25 µm</b>                 |                                      |          |          |          |          |          |            |          |            |           |
| <b>Element Δp</b>                                     |                                      |          |          |          |          |          |            |          |            |           |
| <b>H 210 bar</b>                                      |                                      |          |          |          |          |          |            |          |            |           |
| <b>U 210 bar, stainless steel filter element</b>      |                                      |          |          |          |          |          |            |          |            |           |
| <b>Execution</b>                                      |                                      |          |          |          |          |          |            |          |            |           |
| <b>zerospark®</b>                                     |                                      |          |          |          |          |          |            |          |            |           |
| <b>Z01 MP Filtri standard</b>                         |                                      |          |          |          |          |          |            |          |            |           |
| <b>Zxx Customized</b>                                 |                                      |          |          |          |          |          |            |          |            |           |
| <b>Certifications</b>                                 |                                      |          |          |          |          |          |            |          |            |           |
| <b>EX ATEX certifications</b>                         |                                      |          |          |          |          |          |            |          |            |           |

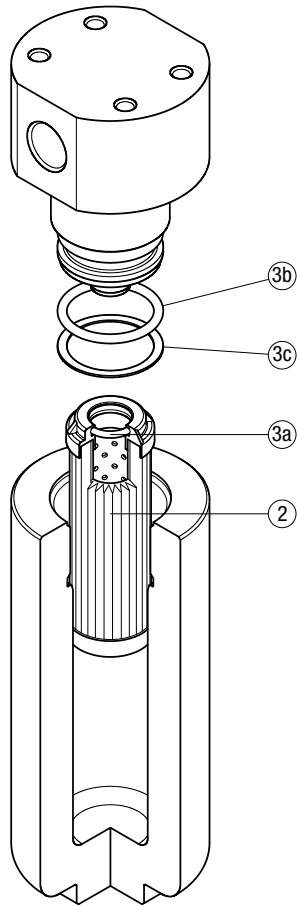
### FILTER ELEMENT

|  |                       |          |            |          |          |            |
|--|-----------------------|----------|------------|----------|----------|------------|
| <b>Element series and size</b>                   | Example: <b>HP011</b> | <b>3</b> | <b>A03</b> | <b>V</b> | <b>U</b> | <b>Z01</b> |
| <b>HP011</b>                                     |                       |          |            |          |          |            |
| <b>Element length</b>                            |                       |          |            |          |          |            |
| <b>3</b>   |                       |          |            |          |          |            |
| <b>Filtration rating (filter media)</b>          |                       |          |            |          |          |            |
| <b>A03 Inorganic microfiber 3 µm</b>             |                       |          |            |          |          |            |
| <b>A06 Inorganic microfiber 6 µm</b>             |                       |          |            |          |          |            |
| <b>A10 Inorganic microfiber 10 µm</b>            |                       |          |            |          |          |            |
| <b>A16 Inorganic microfiber 16 µm</b>            |                       |          |            |          |          |            |
| <b>A25 Inorganic microfiber 25 µm</b>            |                       |          |            |          |          |            |
| <b>Seals</b>                                     |                       |          |            |          |          |            |
| <b>A NBR</b>                                     |                       |          |            |          |          |            |
| <b>V FPM</b>                                     |                       |          |            |          |          |            |
| <b>F MFQ</b>                                     |                       |          |            |          |          |            |
| <b>Element Δp</b>                                |                       |          |            |          |          |            |
| <b>H 210 bar</b>                                 |                       |          |            |          |          |            |
| <b>U 210 bar, stainless steel filter element</b> |                       |          |            |          |          |            |
| <b>Execution</b>                                 |                       |          |            |          |          |            |
| <b>zerospark®</b>                                |                       |          |            |          |          |            |
| <b>Z01 MP Filtri standard</b>                    |                       |          |            |          |          |            |
| <b>Zxx Customized</b>                            |                       |          |            |          |          |            |



Order number for spare parts

**FZX 011**



| Item:         | Q.ty: 1 pc.     | Q.ty: 1 pc.          |                    |
|---------------|-----------------|----------------------|--------------------|
| Filter series | Filter element  | Seal Kit code number |                    |
| FZX 011       | See order table | NBR                  | FPM                |
|               | <b>2</b>        | 02050643             | 02050644           |
|               |                 |                      | <b>3</b> (3a + 3c) |