



THE X CONCEPT FOR OUR FILTERS

Protect the performance of your system with MYclean.  
Quality and efficiency are fundamental for MP Filtri:  
this exclusive new filter element possesses polygon shape geometry and specific seal that ensures only original spare parts can be used - ensuring correct operation and higher system reliability.

MPFX series

with MYCLEAN MFX Filter Element



- Protects the machine from improper use of non-original products.
- Safety of constant quality protection & reliability

With exclusive filter element you are sure that only MP Filtri filter elements can be used, ensuring the best cleaning level of the oil due to the use of originals filter elements.



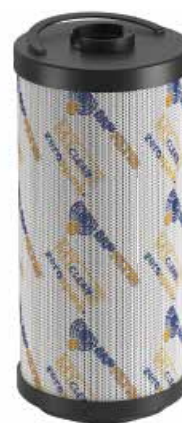
The products identified as MPFX are protected by:

- Italian Patent n° 102014902261205
- Canadian Patent n° 2,937,258
- European Patent n° 3 124 092 B1
- US Patent n° 20170030384 A1

TOGETHER WITH MYCLEAN, AS OPTION, MPFX SERIES CAN BE PROVIDED WITH

zerospark®  
THE ANTI-STATIC FILTERS

THE Z CONCEPT FOR OUR FILTERS



Zerospark® is a specialist solution designed to solve the problem of electrostatic discharge inside hydraulic filters. Caused by the electrical charge build-up due to the passage of oil through the filters, this can result in damage to filter elements, oils and circuit components. It can even cause fire hazards in environments where flammable materials are present.

# MPFX series

Maximum working pressure up to 800 kPa (8 bar) - Flow rate up to 900 l/min



## Description

## Technical data

### Return filter

**Maximum working pressure up to 800 kPa (8 bar)**

**Flow rate up to 900 l/min**

MPFX is a range of return filters for protection of the reservoir against the system contamination.

They are directly fixed to the reservoir, in immersed or semi-immersed position.

The filter output must be always immersed into the fluid to avoid aeration or foam generation into the reservoir.

### Available features:

- Female threaded connections up to 2" and flanged connections up to 2", for a maximum flow rate of 900 l/min
- Multiple connections, to connect several return lines or drains
- Fine filtration rating, to get a good cleanliness level into the reservoir
- Bypass valve integrated into the filter element, to relieve excessive pressure drop across the filter media
- 2, 3 or 4 fixing holes for installation, to suit a variety of reservoir surfaces
- O-ring or Flat Seal to suit a variety of reservoir surfaces
- Oil dipstick, to easily check the level of the fluid into the reservoir (sold as separate item)
- Extension tube, to be used in deep reservoirs (sold as separate item)
- Diffuser, to reduce the risk of aeration, foaming and noise (sold as separate item)
- Filler plug, to fill cleaned fluid into the tank without an additional connection
- Visual, electrical and electronic clogging indicators
- MYclean interface connection, to protect the product against non-original spare parts
- External protective wrap, to optimize the flow through the element and to save the element efficiency against non-proper handling

### Common applications:

- Light Industrial equipment
- Mobile application

### Filter housing materials

- Head: Aluminium

- Cover

Polyamide: MPFX 030-100-104-110

Aluminium: MPFX 181-182-184-191-192-194-400-410-450-451-750

- Bowl: Polyamide

### Bypass valve

- Opening pressure 175 kPa (1.75 bar)  $\pm 10\%$

- Opening pressure 300 kPa (3 bar)  $\pm 10\%$

### $\Delta p$ element type

- Microfiber filter elements - series H: 10 bar

- Fluid flow through the filter element from OUT to IN

### Seals

- Standard NBR series A

- Optional FPM series V

### Temperature

From -25 °C to +110 °C

### Note

MPFX filters are provided for vertical mounting

## Weights [kg] and volumes [dm<sup>3</sup>]

Filter series	Weights [kg]				Volumes [dm <sup>3</sup> ]					
	Length	1	2	3	4	Length	1	2	3	4
<b>MPFX 030</b>		0.40	-	-	-		0.29	-	-	-
<b>MPFX 100</b>		0.61	0.64	0.67	0.74		0.64	0.85	1.20	1.65
<b>MPFX 104</b>		0.82	0.96	1.02	1.25		0.64	0.85	1.20	1.65
<b>MPFX 110</b>		0.64	0.68	0.71	0.78		-	-	-	-
<b>MPFX 181</b>		2.20	3.00	-	-		2.50	4.00	-	-
<b>MPFX 182</b>		2.30	3.10	-	-		2.50	4.00	-	-
<b>MPFX 184</b>		2.55	3.45	-	-		2.65	4.45	-	-
<b>MPFX 191</b>		-	3.00	-	-		-	4.25	-	-
<b>MPFX 192</b>		-	3.10	-	-		-	4.25	-	-
<b>MPFX 194</b>		-	3.45	-	-		-	4.45	-	-
<b>MPFX 400</b>		3.35	3.65	3.90	-		3.70	4.60	5.40	-
<b>MPFX 410</b>		3.55	3.85	4.10	-		3.70	4.60	5.40	-
<b>MPFX 450-451</b>		3.95	4.25	4.50	-		3.70	4.60	5.40	-
<b>MPFX 750</b>		6.30	-	-	-		8.45	-	-	-

Filter series	Length	Filter element design - H series					Filter element design - N series		
		A03	A06	A10	A16	A25	M25 M60 M90	P10	P25
<b>MPFX 030</b>	<b>1</b>	7	10	24	29	47	84	60	66
<b>MPFX 100-104-110</b>	<b>1</b>	18	20	53	56	65	153	87	96
	<b>2</b>	28	38	65	75	95	158	111	123
	<b>3</b>	48	55	125	135	169	289	224	251
	<b>4</b>	79	89	180	185	198	306	264	289
<b>MPFX 181-182-184</b>	<b>1</b>	127	148	235	243	278	441	285	299
	<b>2</b>	231	262	358	382	388	472	404	412
<b>MPFX 191-192-194</b>	<b>2</b>	261	305	489	528	546	696	583	598
<b>MPFX 400</b>	<b>1</b>	150	171	294	304	350	585	370	390
	<b>2</b>	237	252	454	462	589	868	619	645
	<b>3</b>	248	288	553	609	621	885	680	703
<b>MPFX 410</b>	<b>1</b>	146	167	277	285	325	512	341	357
	<b>2</b>	226	239	396	402	485	644	503	519
	<b>3</b>	236	269	462	497	505	653	539	553
<b>MPFX 450-451</b>	<b>1</b>	150	171	294	304	350	585	370	390
	<b>2</b>	237	252	454	462	589	868	619	645
	<b>3</b>	248	288	553	609	621	885	680	703
<b>MPFX 750</b>	<b>1</b>	392	465	623	700	769	929	804	819

### Maximum flow rate for a complete return filter with a pressure drop $\Delta p = 0.5$ bar.

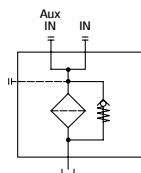
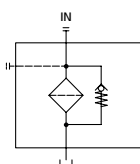
The reference fluid has a kinematic viscosity of 30 mm<sup>2</sup>/s (cSt) and a density of 0.86 kg/dm<sup>3</sup>.

For different pressure drop or fluid viscosity we recommend to use our selection software available on [www.mpfiltri.com](http://www.mpfiltri.com).

You can also calculate the right size using the formulas present on the FILTER SIZING paragraph at the beginning of the full catalogue or at the beginning of the filter family brochure. Please, contact our Sales Department for further additional information.

## Hydraulic symbols

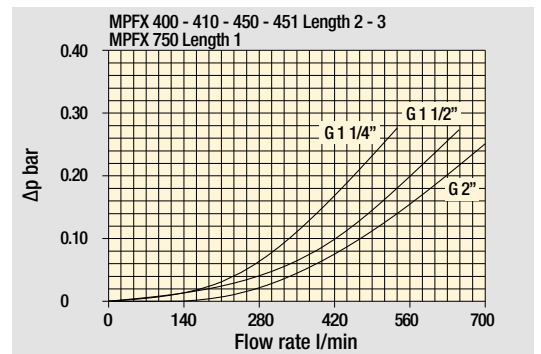
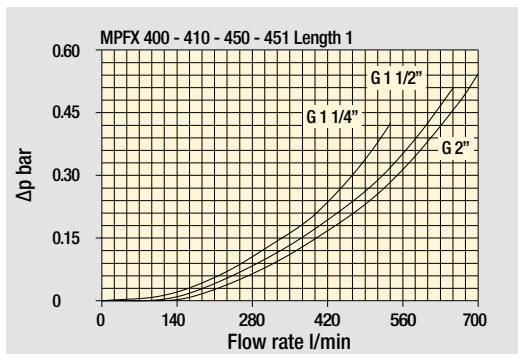
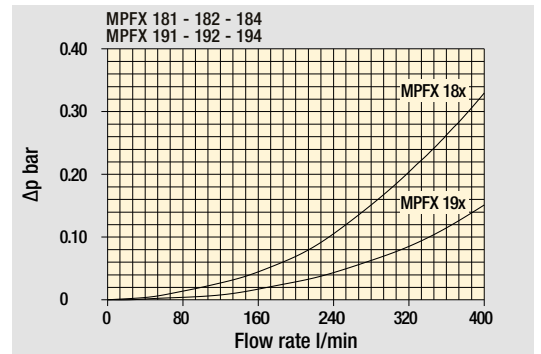
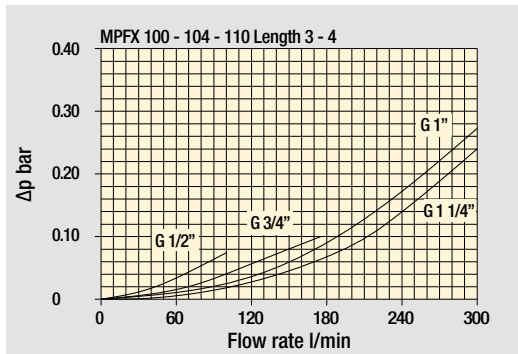
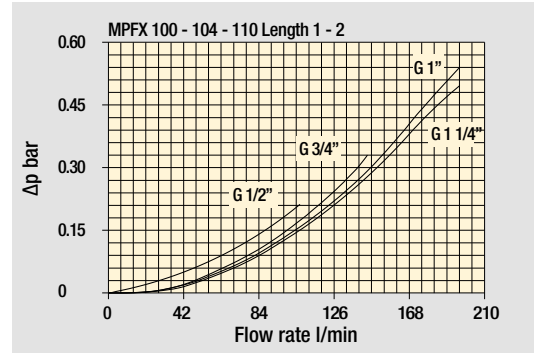
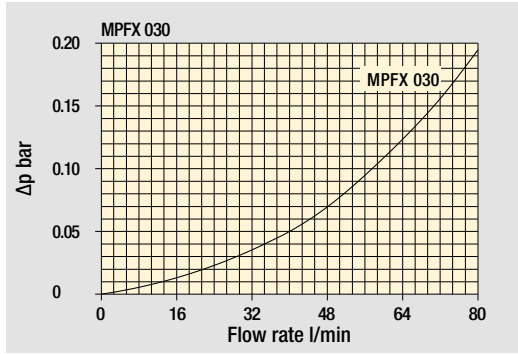
Filter series	Style 1 connection	Style 2 connections
<b>MPFX 030</b>	●	-
<b>MPFX 100</b>	●	-
<b>MPFX 104</b>	●	-
<b>MPFX 110</b>	-	●
<b>MPFX 181</b>	●	-
<b>MPFX 182</b>	-	●
<b>MPFX 184</b>	●	●
<b>MPFX 191</b>	●	-
<b>MPFX 192</b>	●	-
<b>MPFX 194</b>	●	●
<b>MPFX 400</b>	●	-
<b>MPFX 410</b>	-	●
<b>MPFX 450</b>	●	-
<b>MPFX 451</b>	-	●
<b>MPFX 750</b>	●	-



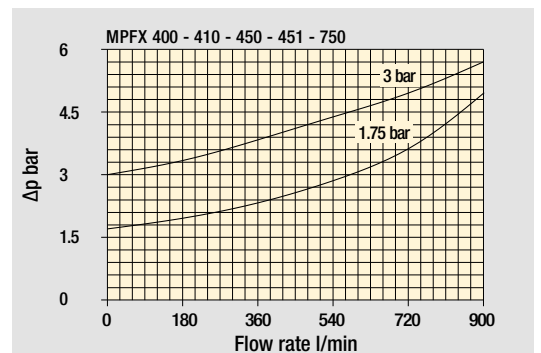
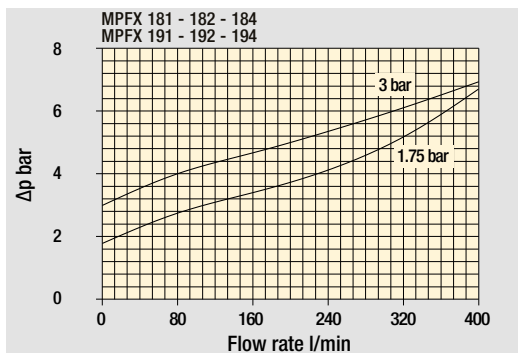
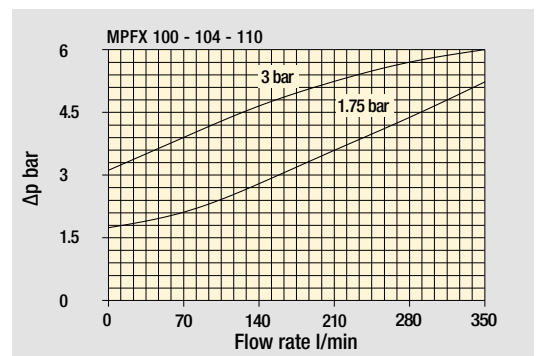
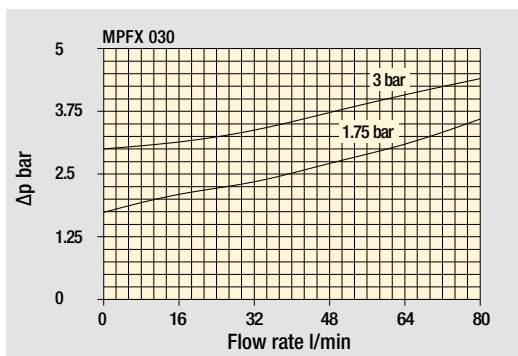
# MPFX GENERAL INFORMATION

## Pressure drop

### Filter housings $\Delta p$ pressure drop



### Bypass valve pressure drop

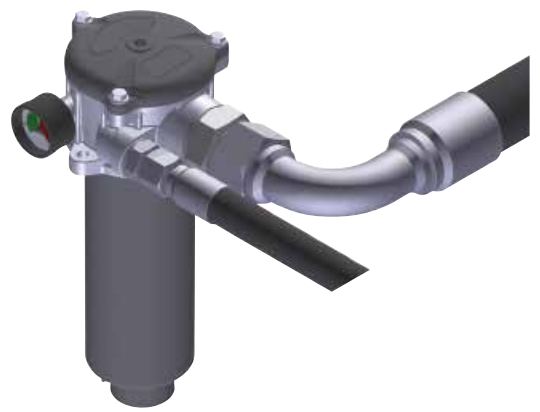


The curves are plotted using mineral oil with density of 0.86 kg/dm<sup>3</sup> in compliance with ISO 3968.  $\Delta p$  varies proportionally with density.

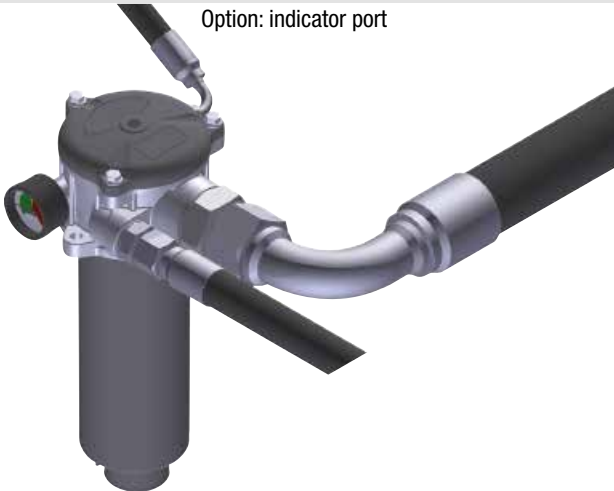
Standard - Single IN port



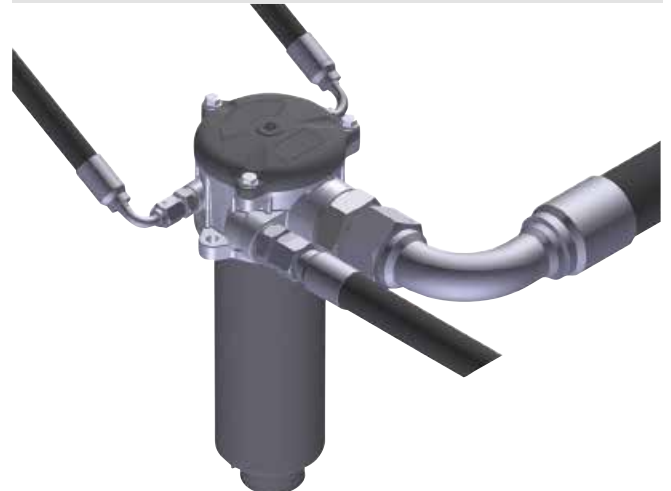
Double IN port  
Option: double indicator port



Double IN port - Drain port  
Option: indicator port



Double IN port - Double drain port



## Designation & Ordering code

### COMPLETE FILTER

<b>Series and size</b>	Configuration example 1:	MPFX030	1	V	G1	M25	N	B	P01
<b>MPFX030</b> Filter featuring <b>MY CLEAN</b> Filter Element	Configuration example 2:	MPFX030	1	A	G4	A10	H	E	P01
<b>Length</b>			1						
<b>Seals and treatments</b>									
<b>A</b> NBR									
<b>V</b> FPM									
<b>W</b> NBR head anodized									
<b>Z</b> FPM head anodized									
<b>Connections</b>									
<b>G1</b> G 1/2"									
<b>G4</b> 1/2" NPT									
<b>G7</b> SAE 8 - 3/4" - 16 UNF									
<b>Filtration rating (filter media)</b>									
<b>A03</b> Inorganic microfiber 3 µm									
<b>A06</b> Inorganic microfiber 6 µm									
<b>A10</b> Inorganic microfiber 10 µm									
<b>A16</b> Inorganic microfiber 16 µm									
<b>A25</b> Inorganic microfiber 25 µm									
<b>M25</b> Wire mesh 25 µm									
<b>M60</b> Wire mesh 60 µm									
<b>M90</b> Wire mesh 90 µm									
<b>P10</b> Resin impregnated paper 10 µm									
<b>P25</b> Resin impregnated paper 25 µm									

All filter media except M60, P10 and P25 are compatible with fluids HFA, HFB and HFC

Element Δp	Filter media		
	Axx	Mxx	Pxx
<b>N</b> 10 bar	-	•	•
<b>H</b> 10 bar	•	-	-

Bypass valve	
<b>E</b>	3 bar
<b>B</b>	1.75 bar

Executions		
<b>Base</b>	<b>zerospark®</b>	
<b>P01</b>	<b>Z01</b>	MP Filtri standard
<b>Pxx</b>	<b>Zxx</b>	Customized

### FILTER ELEMENT

<b>Element series and size</b>	Configuration example 1:	MFXX030	1	M25	N	V		P01
<b>MFXX030</b> Filter Element with <b>MY CLEAN</b> feature	Configuration example 2:	MFXX030	1	A10	H	B	E	P01
<b>Element length</b>			1					
<b>Filtration rating (filter media)</b>								
<b>A03</b> Inorganic microfiber 3 µm								
<b>A06</b> Inorganic microfiber 6 µm								
<b>A10</b> Inorganic microfiber 10 µm								
<b>A16</b> Inorganic microfiber 16 µm								
<b>A25</b> Inorganic microfiber 25 µm								
<b>M25</b> Wire mesh 25 µm								
<b>M60</b> Wire mesh 60 µm								
<b>M90</b> Wire mesh 90 µm								
<b>P10</b> Resin impregnated paper 10 µm								
<b>P25</b> Resin impregnated paper 25 µm								

Element Δp	Filter media		
	Axx	Mxx	Pxx
<b>N</b> 10 bar	-	•	•
<b>H</b> 10 bar	•	-	-

Seals	
<b>B</b>	NBR
<b>V</b>	FPM

Bypass valve	
<b>E</b>	3 bar
-	1.75 bar

Executions		
<b>Base</b>	<b>zerospark®</b>	
<b>P01</b>	<b>Z01</b>	MP Filtri standard
<b>Pxx</b>	<b>Zxx</b>	Customized

### CLOGGING INDICATORS

See page 680-681

<b>BVA</b>	Axial pressure gauge
<b>BVR</b>	Radial pressure gauge
<b>BVP</b>	Visual pressure indicator with automatic reset
<b>BVQ</b>	Visual pressure indicator with manual reset

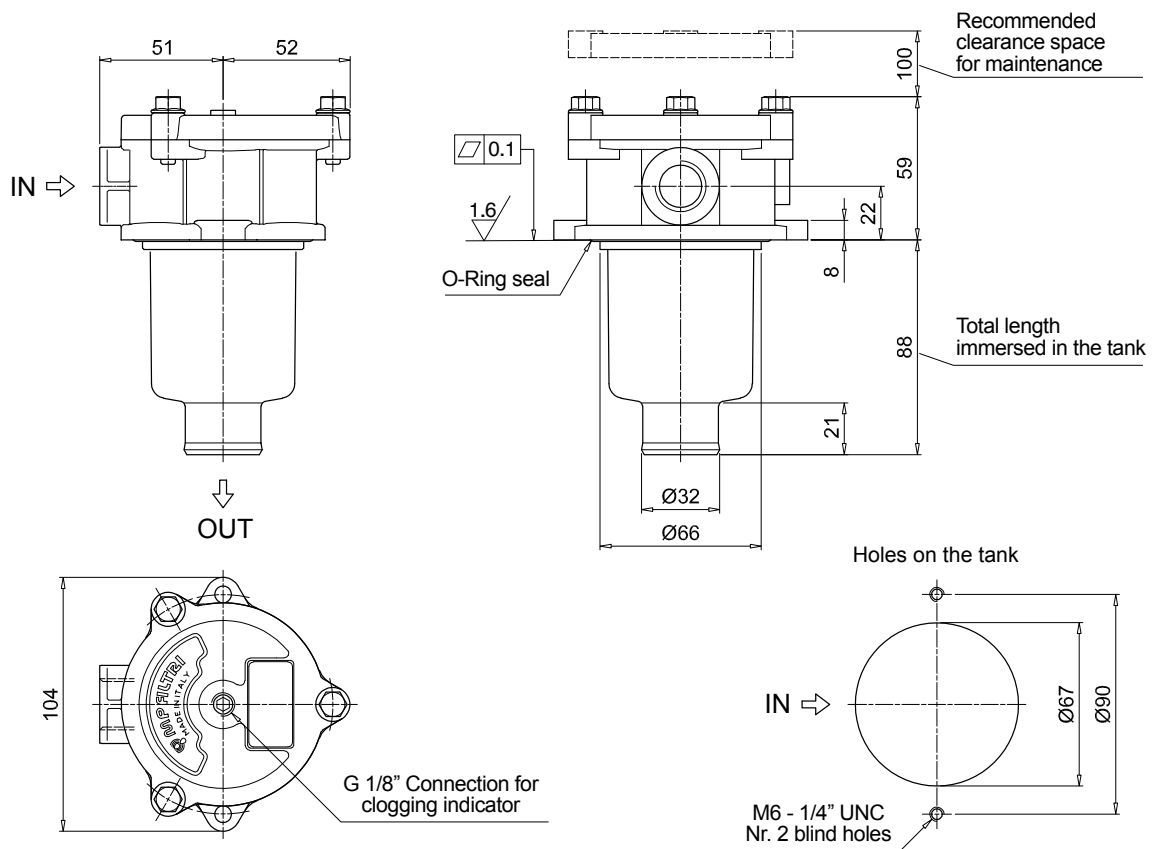
<b>BEA</b>	Electrical pressure indicator
<b>BEM</b>	Electrical pressure indicator
<b>BLA</b>	Electrical / visual pressure indicator

### ADDITIONAL FEATURES

See page 262

<b>TE</b>	Extension tube
<b>T5</b>	Filler plug M30x1.5

MPFX030





# MPFX MPFX100 - MPFX104

## Designation & Ordering code

### COMPLETE FILTER

<b>Series and size</b>	Configuration example 1:	MPFX100	2	W	G3	A06	H	B	P01
<b>MPFX100   MPFX104</b> Filter featuring <b>MYCLEAN</b> Filter Element	Configuration example 2:	MPFX104	4	A	G8	P10	N	E	P01

<b>Length</b>	1	2	3	4
---------------	---	---	---	---

<b>Seals and treatments</b>	
<b>A</b>	NBR
<b>V</b>	FPM
<b>W</b>	NBR head anodized
<b>Z</b>	FPM head anodized

Connections	Size 100	Size 104
<b>G1</b> G 1/2"	•	•
<b>G2</b> G 3/4"	•	•
<b>G3</b> G 1"	•	•
<b>G4</b> 1/2" NPT	•	•
<b>G5</b> 3/4" NPT	•	•
<b>G6</b> 1" NPT	•	•

Connections	Size 100	Size 104
<b>G7</b> SAE 8 - 3/4" - 16 UNF	•	•
<b>G8</b> SAE 12 - 1 1/16" - 12 UN	•	•
<b>G9</b> SAE 16 - 1 5/16" - 12 UN	•	•

<b>Filtration rating (filter media)</b>	
<b>A03</b> Inorganic microfiber 3 µm	<b>M25</b> Wire mesh 25 µm
<b>A06</b> Inorganic microfiber 6 µm	<b>M60</b> Wire mesh 60 µm
<b>A10</b> Inorganic microfiber 10 µm	<b>M90</b> Wire mesh 90 µm
<b>A16</b> Inorganic microfiber 16 µm	<b>P10</b> Resin impregnated paper 10 µm
<b>A25</b> Inorganic microfiber 25 µm	<b>P25</b> Resin impregnated paper 25 µm

All filter media except M60, P10 and P25 are compatible with fluids HFA, HFB and HFC

Element Δp	Filter media		
	Axx	Mxx	Pxx
<b>N</b> 10 bar	-	•	•
<b>H</b> 10 bar	•	-	-

Bypass valve	Executions	
	Base	zereospark <sup>+</sup>
<b>E</b> 3 bar	<b>P01</b>	<b>Z01</b> MP Filtri standard
<b>B</b> 1.75 bar	<b>Pxx</b>	<b>Zxx</b> Customized

### FILTER ELEMENT

<b>Element series and size</b>	Configuration example 1:	MFX100	2	A06	H	B	P01	
<b>MFX100</b> Filter Element with <b>MYCLEAN</b> feature	Configuration example 2:	MFX100	4	P10	N	B	E	P01

<b>Element length</b>	1	2	3	4
-----------------------	---	---	---	---

<b>Filtration rating (filter media)</b>	
<b>A03</b> Inorganic microfiber 3 µm	<b>M25</b> Wire mesh 25 µm
<b>A06</b> Inorganic microfiber 6 µm	<b>M60</b> Wire mesh 60 µm
<b>A10</b> Inorganic microfiber 10 µm	<b>M90</b> Wire mesh 90 µm
<b>A16</b> Inorganic microfiber 16 µm	<b>P10</b> Resin impregnated paper 10 µm
<b>A25</b> Inorganic microfiber 25 µm	<b>P25</b> Resin impregnated paper 25 µm

Element Δp	Filter media		
	Axx	Mxx	Pxx
<b>N</b> 10 bar	-	•	•
<b>H</b> 10 bar	•	-	-

Seals	Bypass valve	Executions	
		Base	zereospark <sup>+</sup>
<b>B</b> NBR	<b>E</b> 3 bar	<b>P01</b>	<b>Z01</b> MP Filtri standard
<b>V</b> FPM	- 1.75 bar	<b>Pxx</b>	<b>Zxx</b> Customized

### CLOGGING INDICATORS

See page 680-681

<b>BVA</b> Axial pressure gauge
<b>BVR</b> Radial pressure gauge
<b>BVP</b> Visual pressure indicator with automatic reset
<b>BVQ</b> Visual pressure indicator with manual reset

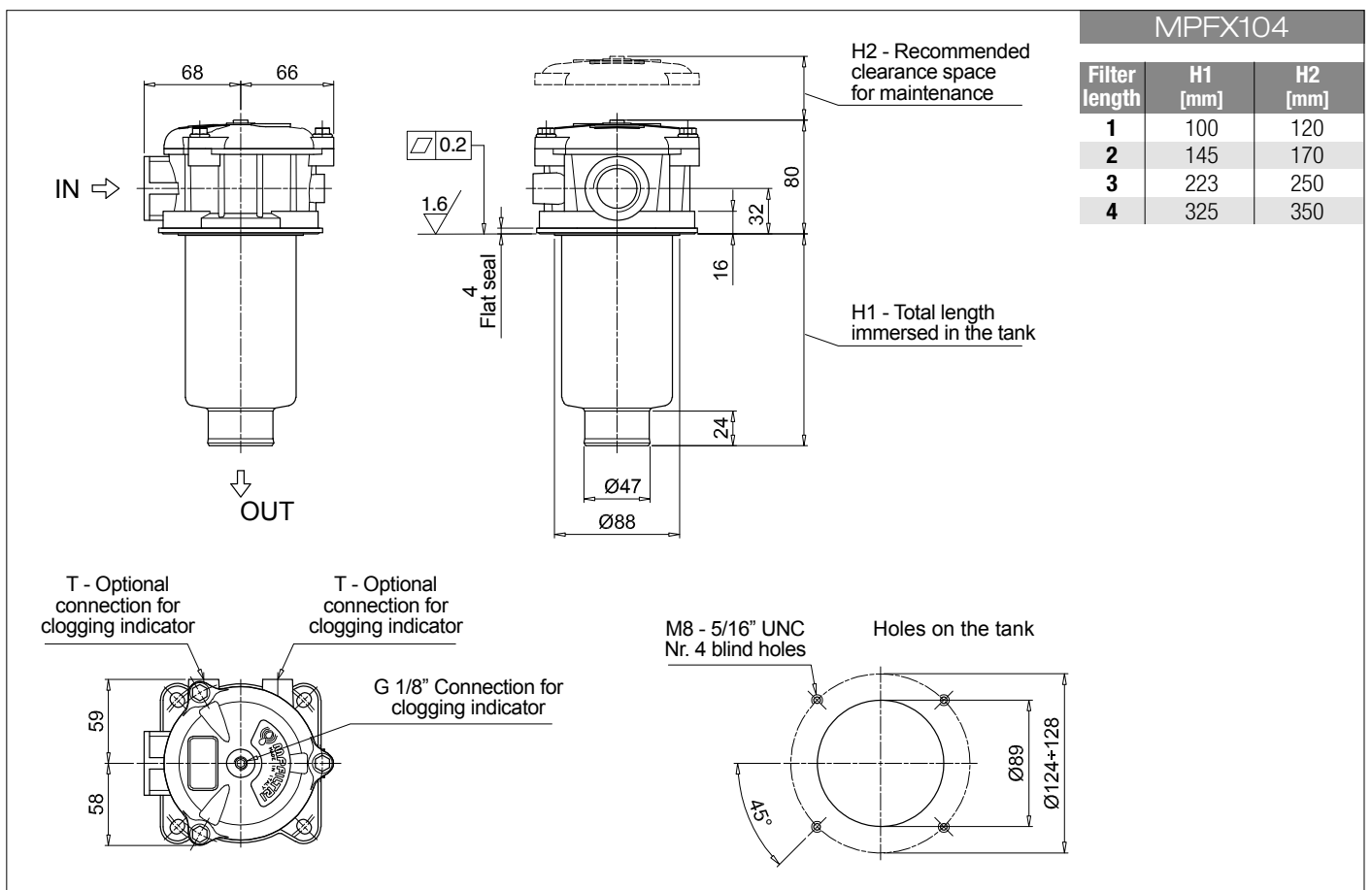
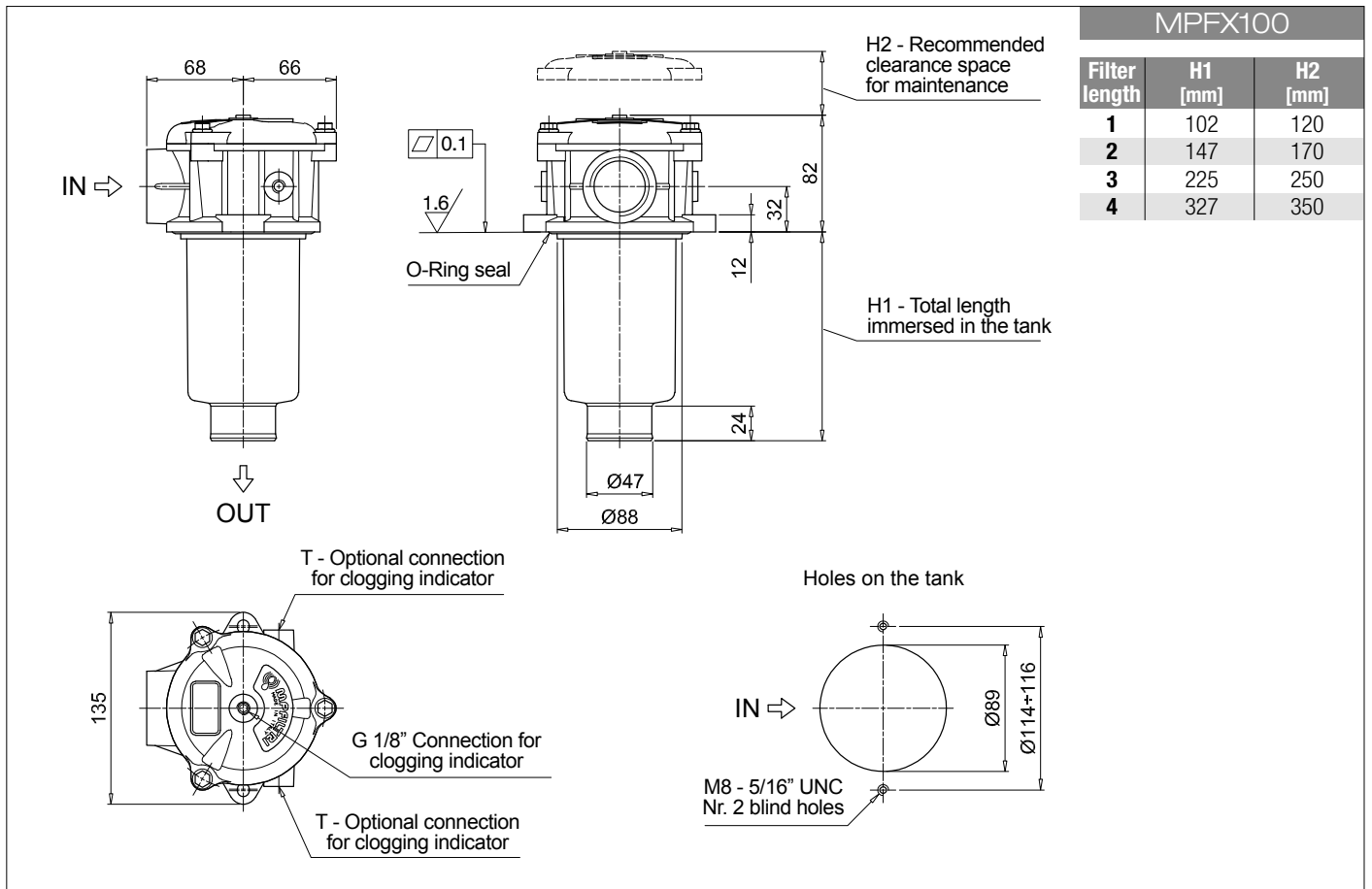
<b>BEA</b> Electrical pressure indicator
<b>BEM</b> Electrical pressure indicator
<b>BLA</b> Electrical / visual pressure indicator

### ADDITIONAL FEATURES

See page 262

<b>TE</b> Extension tube
<b>DFS</b> Diffuser with fast lock connection

<b>T5</b> Filler plug M30x1.5
<b>DPT</b> Dipstick



# MPFX MPFX110

## Designation & Ordering code

### COMPLETE FILTER

<b>Series and size</b>		Configuration example 1: MPFX110 3 Z G4 2 M25 H B P01									
MPFX110 Filter featuring <b>MY CLEAN</b> Filter Element		Configuration example 2: MPFX110 4 A G8 1 P10 N E P01									
<b>Length</b>		1   2   3   4									
<b>Seals and treatments</b>		A NBR                                      W NBR head anodized V FPM                                        Z FPM head anodized									
<b>Main Connections</b>	<b>Aux size 1</b>	<b>Aux size 2</b>	<b>Main Connections</b>	<b>Aux size 1</b>	<b>Aux size 2</b>						
G1 G 1/2"	G 3/8"	G 1/2"	G7 SAE 8 - 3/4" - 16 UNF	SAE 6 - 9/16" - 18 UNF	SAE 8 - 3/4" - 16 UNF						
G2 G 3/4"			G8 SAE 12 - 1 1/16" - 12 UN								
G3 G 1"											
G4 1/2" NPT	3/8" NPT	1/2" NPT	G9 SAE 16 - 1 5/16" - 12 UN	G 3/8"	G 1/2"						
G5 3/4" NPT			G10 G 1 1/4"	3/8" NPT	1/2" NPT						
G6 1" NPT						G11 1 1/4" NPT	3/8" NPT	1/2" NPT			
			G12 SAE 20 - 1 5/8" - 12 UN	SAE 6 - 9/16" - 18 UNF	SAE 8 - 3/4" - 16 UNF						
<b>Aux connection</b> - see previous table											
1 Aux size 1                                      2 Aux size 2											
<b>Filtration rating (filter media)</b>											
A03 Inorganic microfiber 3 µm			M25 Wire mesh 25 µm								
A06 Inorganic microfiber 6 µm			M60 Wire mesh 60 µm								
A10 Inorganic microfiber 10 µm			M90 Wire mesh 90 µm								
A16 Inorganic microfiber 16 µm			P10 Resin impregnated paper 10 µm								
A25 Inorganic microfiber 25 µm			P25 Resin impregnated paper 25 µm								
All filter media except M60, P10 and P25 are compatible with fluids HFA, HFB and HFC											

Element Δp	Filter media			Bypass valve	Executions		
	Axx	Mxx	Pxx		Base	zereospark®	
N 10 bar	-	•	•	E 3 bar	P01	Z01	MP Filtri standard
H 10 bar	•	-	-	B 1.75 bar	Pxx	Zxx	Customized

### FILTER ELEMENT

<b>Element series and size</b>		Configuration example 1: MFX100 3 M25 H V P01									
MFX100 Filter Element with <b>MY CLEAN</b> feature		Configuration example 2: MFX100 4 P10 N B E P01									
<b>Element length</b>		1   2   3   4									
<b>Filtration rating (filter media)</b>		A03 Inorganic microfiber 3 µm                                      M25 Wire mesh 25 µm A06 Inorganic microfiber 6 µm                                      M60 Wire mesh 60 µm A10 Inorganic microfiber 10 µm                                      M90 Wire mesh 90 µm A16 Inorganic microfiber 16 µm                                      P10 Resin impregnated paper 10 µm A25 Inorganic microfiber 25 µm                                      P25 Resin impregnated paper 25 µm									

Element Δp	Filter media			Bypass valve	Executions			
	Axx	Mxx	Pxx		Seals	Base	zereospark®	
N 10 bar	-	•	•	E 3 bar	B NBR	P01	Z01	MP Filtri standard
H 10 bar	•	-	-	- 1.75 bar	V FPM	Pxx	Zxx	Customized

### CLOGGING INDICATORS

See page 680-681

BVA Axial pressure gauge	BEA Electrical pressure indicator
BVR Radial pressure gauge	BEM Electrical pressure indicator
BVP Visual pressure indicator with automatic reset	BLA Electrical / visual pressure indicator
BVQ Visual pressure indicator with manual reset	

### ADDITIONAL FEATURES

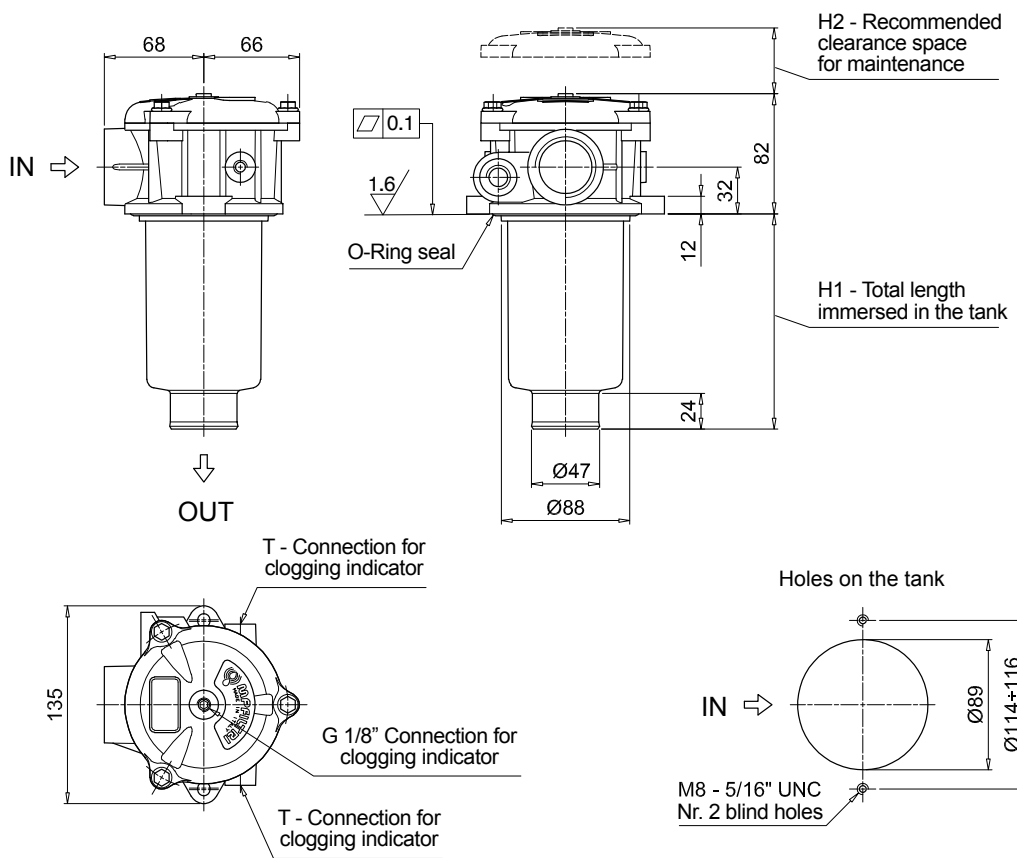
See page 262

TE Extension tube	T5 Filler plug M30x1.5
DFS Diffuser with fast lock connection	DPT Dipstick

MPFX110		
Filter length	H1 [mm]	H2 [mm]
<b>1</b>	102	120
<b>2</b>	147	170
<b>3</b>	225	250
<b>4</b>	327	350

Connections	T
<b>G1-G2-G3</b>	G 1/8"
<b>G4-G5-G6-G7-G8-G9</b>	1/8" NPT
<b>G10</b>	G 1/8"
<b>G11-G12</b>	1/8" NPT



# MPFX MPFX181 - MPFX191

## Designation & Ordering code

### COMPLETE FILTER

<b>Series and size</b>		Configuration example 1: <b>MPFX181</b>   <b>1</b>   <b>A</b>   <b>G1</b>   <b>A25</b>   <b>H</b>   <b>E</b>   <b>P01</b>	
<b>MPFX181 MPFX191</b> Filter featuring <b>MYCLEAN</b> Filter Element		Configuration example 2: <b>MPFX191</b>   <b>2</b>   <b>V</b>   <b>G2</b>   <b>P10</b>   <b>N</b>   <b>B</b>   <b>P01</b>	
<b>Length</b>	<b>Size 181</b>   <b>Size 191</b>		
<b>1</b>	•   -		
<b>2</b>	•   •		
<b>Seals and treatments</b>			
<b>A</b> NBR	<b>B</b> NBR flat seal on head		
<b>V</b> FPM	<b>D</b> FPM flat seal on head		
<b>W</b> NBR head anodized	<b>L</b> NBR head anodized, flat seal on head		
<b>Z</b> FPM head anodized	<b>M</b> FPM head anodized, flat seal on head		
<b>Connections</b>			
<b>G1</b> G 1 1/4"	<b>G5</b> 1 1/2" NPT		
<b>G2</b> G 1 1/2"	<b>G7</b> SAE 20 - 1 5/8" - 12 UN		
<b>G4</b> 1 1/4" NPT	<b>G8</b> SAE 24 - 1 7/8" - 12 UN		
<b>Filtration rating (filter media)</b>			
<b>A03</b> Inorganic microfiber 3 µm	<b>M25</b> Wire mesh 25 µm		
<b>A06</b> Inorganic microfiber 6 µm	<b>M60</b> Wire mesh 60 µm		
<b>A10</b> Inorganic microfiber 10 µm	<b>M90</b> Wire mesh 90 µm		
<b>A16</b> Inorganic microfiber 16 µm	<b>P10</b> Resin impregnated paper 10 µm		
<b>A25</b> Inorganic microfiber 25 µm	<b>P25</b> Resin impregnated paper 25 µm		
All filter media except M60, P10 and P25 are compatible with fluids HFA, HFB and HFC			
<b>Element Δp</b>		<b>Filter media</b>	
<b>N</b> 10 bar	Axx   Mxx   Pxx	-   •   •	
<b>H</b> 10 bar		•   -   -	
<b>Bypass valve</b>		<b>Executions</b>	
<b>E</b> 3 bar	<b>Base</b>	<b>zero<span style="color:blue">spark</span><sup>+</sup></b>	
<b>B</b> 1.75 bar	<b>P01</b>	<b>Z01</b>	MP Filtri standard
	<b>Pxx</b>	<b>Zxx</b>	Customized

### FILTER ELEMENT

<b>Element series and size</b>		Configuration example 1: <b>MFX180</b>   <b>1</b>   <b>A25</b>   <b>H</b>   <b>B</b>   <b>E</b>   <b>P01</b>	
<b>MFX180</b> Filter Element with <b>MYCLEAN</b> feature		Configuration example 2: <b>MFX180</b>   <b>2</b>   <b>P10</b>   <b>N</b>   <b>V</b>   <b>P01</b>	
<b>Element length</b>			
<b>1</b>   <b>2</b>			
<b>Filtration rating (filter media)</b>			
<b>A03</b> Inorganic microfiber 3 µm	<b>M25</b> Wire mesh 25 µm		
<b>A06</b> Inorganic microfiber 6 µm	<b>M60</b> Wire mesh 60 µm		
<b>A10</b> Inorganic microfiber 10 µm	<b>M90</b> Wire mesh 90 µm		
<b>A16</b> Inorganic microfiber 16 µm	<b>P10</b> Resin impregnated paper 10 µm		
<b>A25</b> Inorganic microfiber 25 µm	<b>P25</b> Resin impregnated paper 25 µm		
<b>Element Δp</b>		<b>Filter media</b>	
<b>N</b> 10 bar	Axx   Mxx   Pxx	-   •   •	
<b>H</b> 10 bar		•   -   -	
<b>Seals</b>		<b>Bypass valve</b>	
<b>B</b> NBR	<b>E</b> 3 bar		
<b>V</b> FPM	- 1.75 bar		
<b>Executions</b>			
<b>Base</b>	<b>zero<span style="color:blue">spark</span><sup>+</sup></b>		
<b>P01</b>	<b>Z01</b>	MP Filtri standard	
<b>Pxx</b>	<b>Zxx</b>	Customized	

### CLOGGING INDICATORS

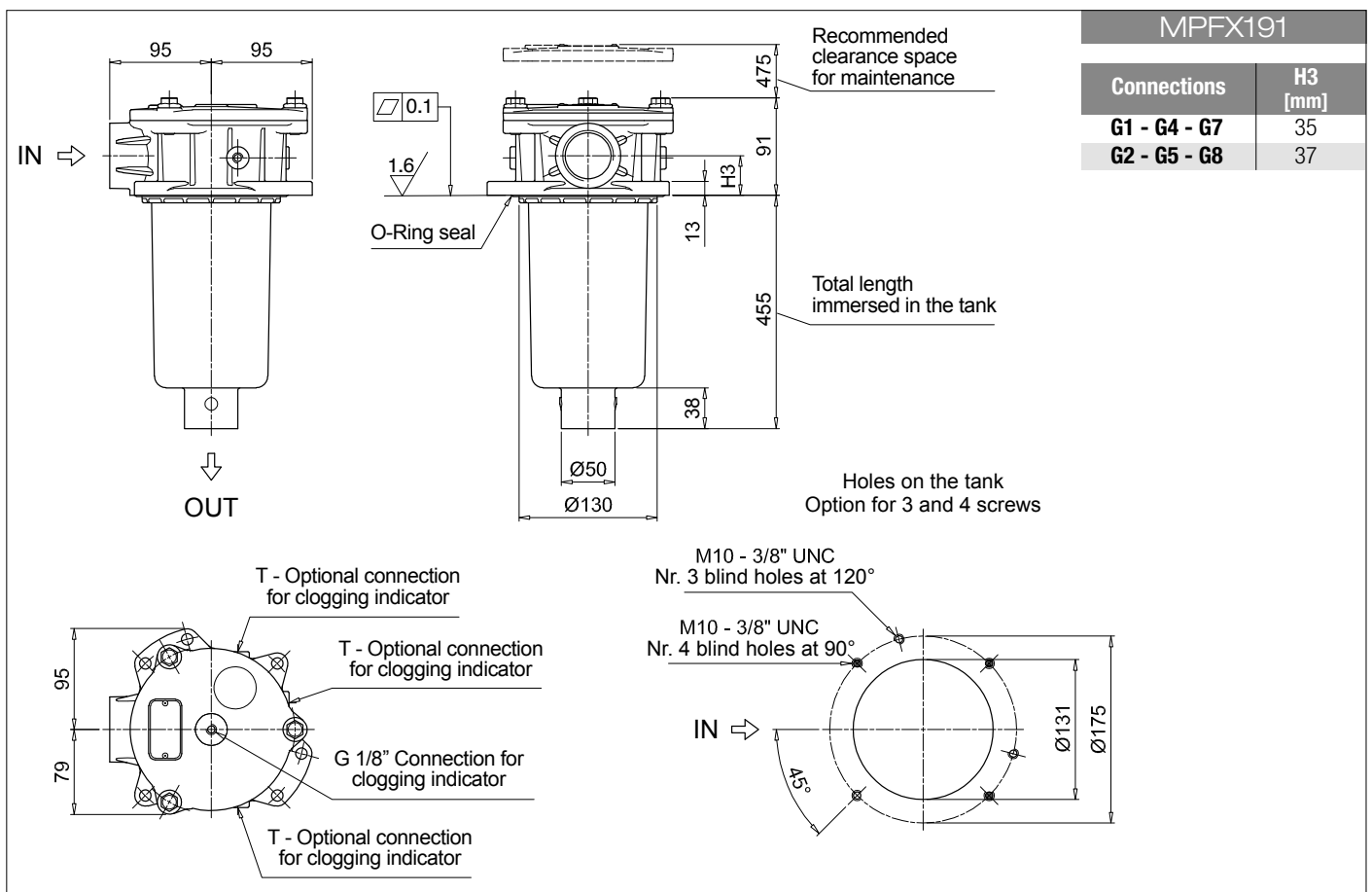
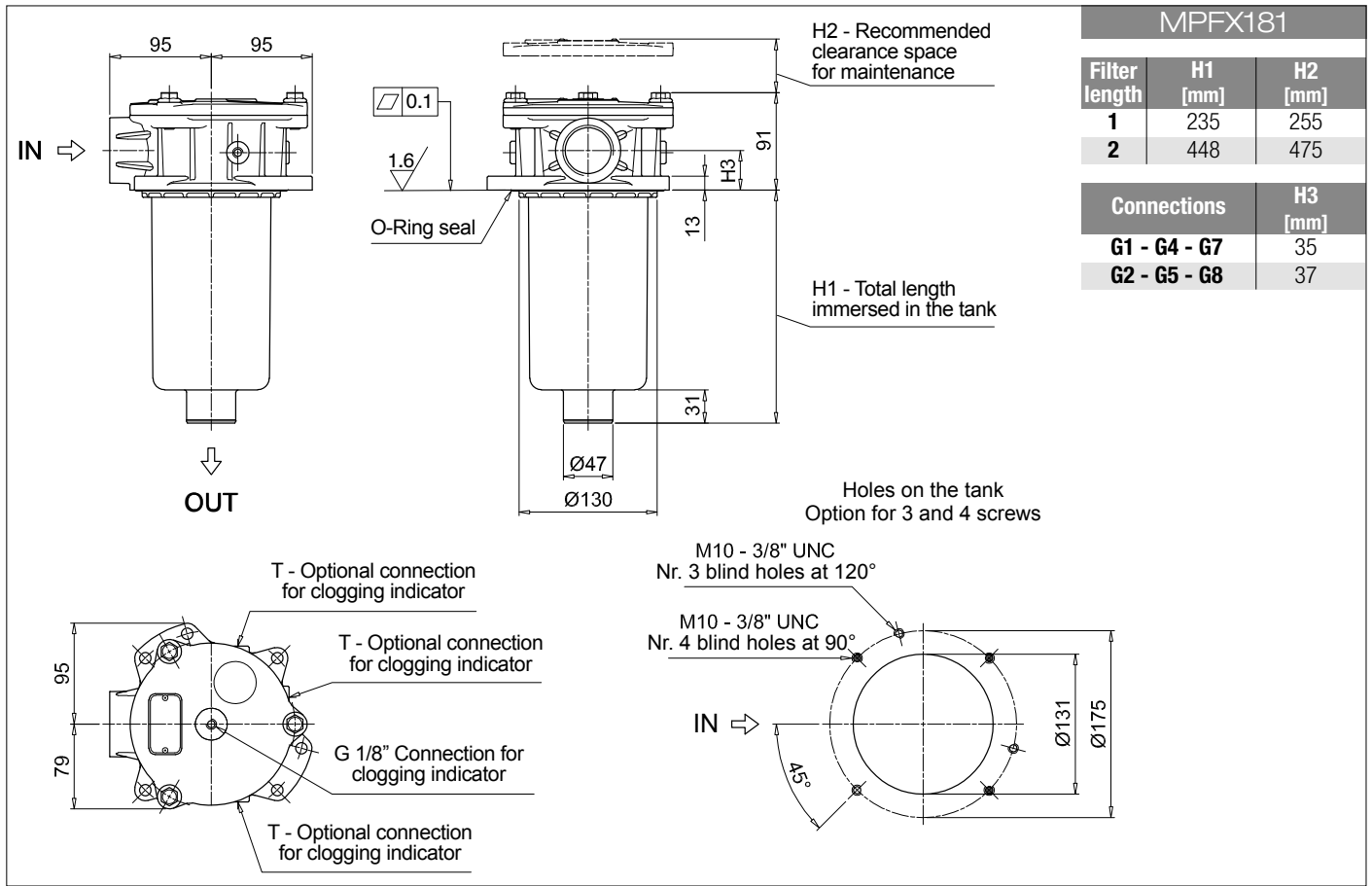
See page 680-681

<b>BVA</b> Axial pressure gauge	<b>BEA</b> Electrical pressure indicator
<b>BVR</b> Radial pressure gauge	<b>BEM</b> Electrical pressure indicator
<b>BVP</b> Visual pressure indicator with automatic reset	<b>BLA</b> Electrical / visual pressure indicator
<b>BVQ</b> Visual pressure indicator with manual reset	

### ADDITIONAL FEATURES

See page 262

<b>TE</b> Extension tube
<b>T5</b> Filler plug M30x1.5



# MPFX MPFX182 - MPFX192

## Designation & Ordering code

### COMPLETE FILTER

Series and size	Configuration example 1:	MPFX182	1	A	G1	1	A25	H	E	P01
MPFX182   MPFX192 Filter featuring <b>MY CLEAN</b> Filter Element	Configuration example 2:	MPFX192	2	V	G4	2	P10	N	B	P01

Length	Size 182	Size 192
1	•	-
2	•	•

Seals and treatments	
<b>A</b> NBR	<b>B</b> NBR flat seal on head
<b>V</b> FPM	<b>D</b> FPM flat seal on head
<b>W</b> NBR head anodized	<b>L</b> NBR head anodized, flat seal on head
<b>Z</b> FPM head anodized	<b>M</b> FPM head anodized, flat seal on head

Main Connections	Aux size 1	Aux size 2
<b>G1</b> G 1 1/4"	G 1/2"	G 3/4"
<b>G4</b> 1 1/4" NPT	1/2" NPT	3/4" NPT
<b>G7</b> SAE 20 - 1 5/8" - 12 UN	SAE 8 - 3/16" - 16 UNF	SAE 12 - 1 1/16" - 12 UN

Aux connection - see previous table	
<b>1</b> Aux size 1	<b>2</b> Aux size 2

Filtration rating (filter media)	
<b>A03</b> Inorganic microfiber 3 µm	<b>M25</b> Wire mesh 25 µm
<b>A06</b> Inorganic microfiber 6 µm	<b>M60</b> Wire mesh 60 µm
<b>A10</b> Inorganic microfiber 10 µm	<b>M90</b> Wire mesh 90 µm
<b>A16</b> Inorganic microfiber 16 µm	<b>P10</b> Resin impregnated paper 10 µm
<b>A25</b> Inorganic microfiber 25 µm	<b>P25</b> Resin impregnated paper 25 µm

All filter media except M60, P10 and P25 are compatible with fluids HFA, HFB and HFC

Element Δp	Filter media		
	Axx	Mxx	Pxx
<b>N</b> 10 bar	-	•	•
<b>H</b> 10 bar	•	-	-

Bypass valve	Executions	
	Base	zérospark®
<b>E</b> 3 bar	<b>P01</b>	<b>Z01</b> MP Filtri standard
<b>B</b> 1.75 bar	<b>Pxx</b>	<b>Zxx</b> Customized

### FILTER ELEMENT

Element series and size	Configuration example 1:	MFX180	1	A25	H	B	E	P01
MFX180 Filter Element with <b>MY CLEAN</b> feature	Configuration example 2:	MFX180	2	P10	N	V		P01

Element length	
<b>1</b>	<b>2</b>

Filtration rating (filter media)	
<b>A03</b> Inorganic microfiber 3 µm	<b>M25</b> Wire mesh 25 µm
<b>A06</b> Inorganic microfiber 6 µm	<b>M60</b> Wire mesh 60 µm
<b>A10</b> Inorganic microfiber 10 µm	<b>M90</b> Wire mesh 90 µm
<b>A16</b> Inorganic microfiber 16 µm	<b>P10</b> Resin impregnated paper 10 µm
<b>A25</b> Inorganic microfiber 25 µm	<b>P25</b> Resin impregnated paper 25 µm

Element Δp	Filter media		
	Axx	Mxx	Pxx
<b>N</b> 10 bar	-	•	•
<b>H</b> 10 bar	•	-	-

Seals	Bypass valve	Executions	
		Base	zérospark®
<b>B</b> NBR	<b>E</b> 3 bar	<b>P01</b>	<b>Z01</b> MP Filtri standard
<b>V</b> FPM	- 1.75 bar	<b>Pxx</b>	<b>Zxx</b> Customized

### CLOGGING INDICATORS

See page 680-681

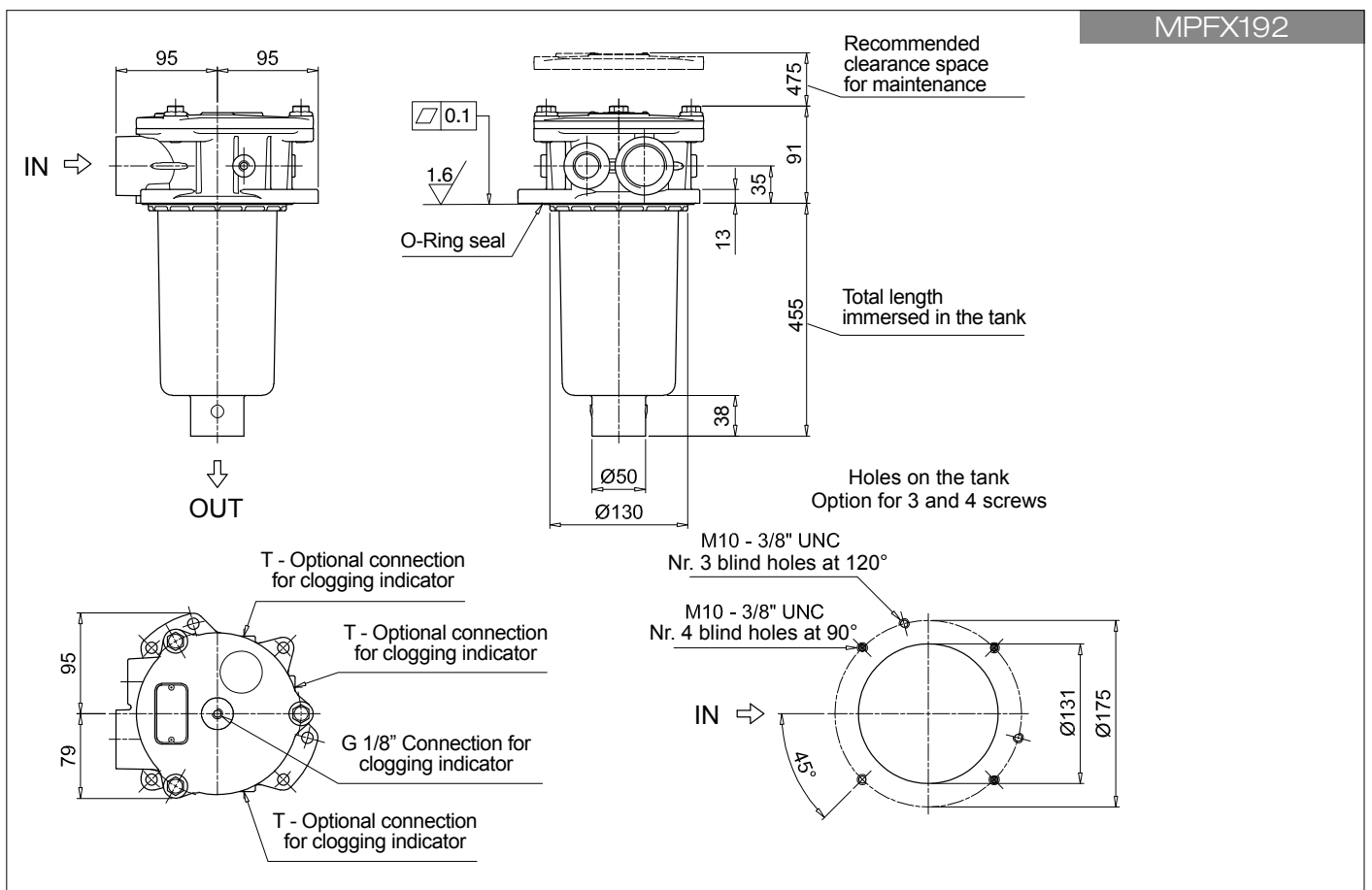
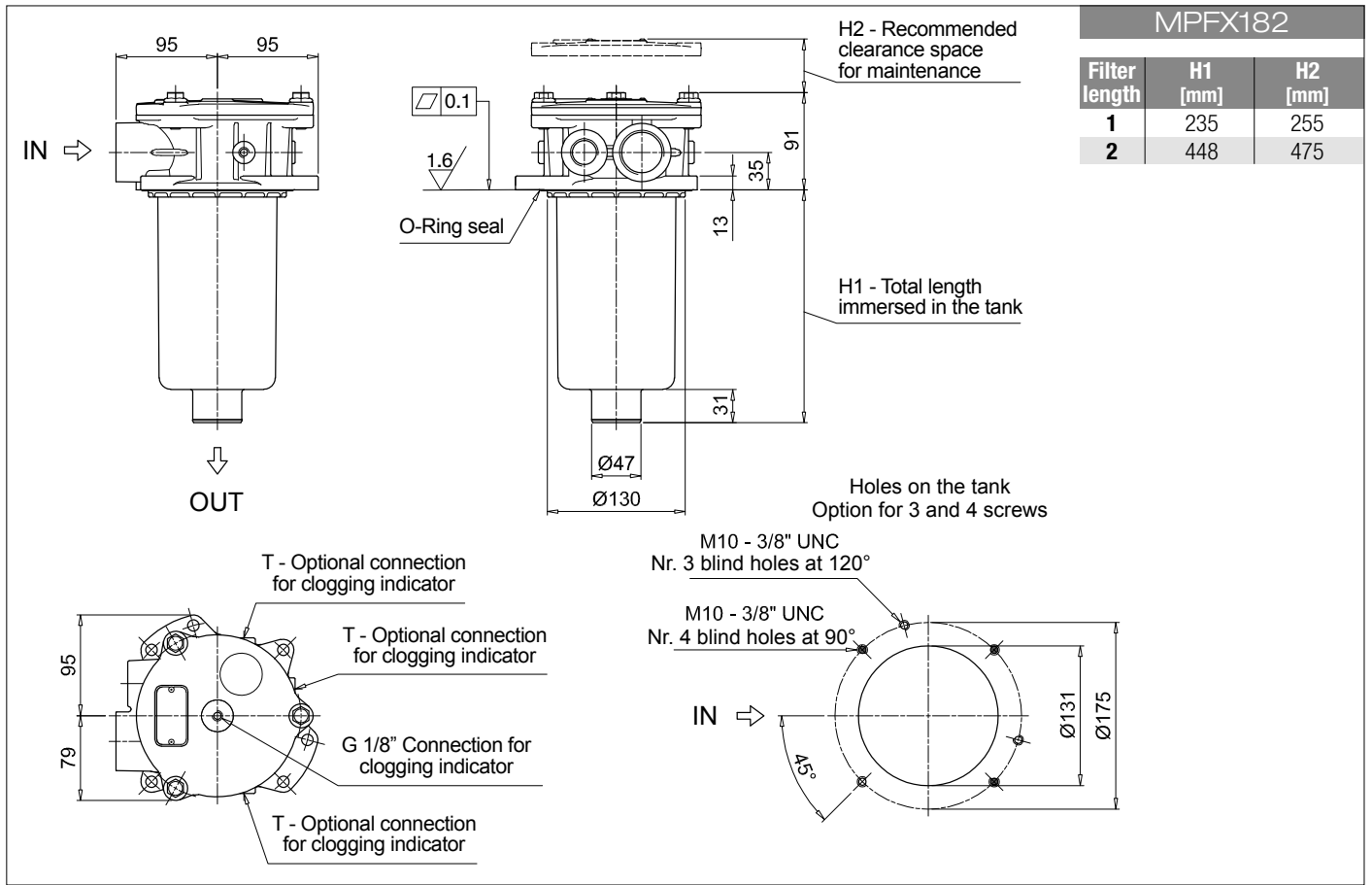
<b>BVA</b> Axial pressure gauge	
<b>BVR</b> Radial pressure gauge	
<b>BVP</b> Visual pressure indicator with automatic reset	
<b>BVQ</b> Visual pressure indicator with manual reset	

<b>BEA</b> Electrical pressure indicator	
<b>BEM</b> Electrical pressure indicator	
<b>BLA</b> Electrical / visual pressure indicator	

### ADDITIONAL FEATURES

See page 262

<b>TE</b> Extension tube	
<b>T5</b> Filler plug M30x1.5	





# MPFX MPFX184 - MPFX194

## Designation & Ordering code

### COMPLETE FILTER

<b>Series and size</b>		Configuration example 1: <b>MPFX184</b>   1   A   G1   A25   H   E   P01									
<b>MPFX184 MPFX194</b> Filter featuring <b>MYCLEAN</b> Filter Element		Configuration example 2: <b>MPFX194</b>   2   V   F3   P10   N   B   P01									
<b>Length</b>		Size 184		Size 194							
1		•		-							
2		•		•							
<b>Seals and treatments</b>											
A NBR		W NBR		head anodized							
V FPM		Z FPM		head anodized							
<b>Main Connections</b>		<b>Rear connections</b>		<b>Main Connections</b>		<b>Rear connections</b>					
G1 G 1 1/4"		-		G13 G 1 1/2"		-					
G2 G 1 1/4"		G 1 1/4"		G14 G 1 1/2"		G 1 1/4"					
G4 1 1/4" NPT		-		G15 1 1/2" NPT		-					
G5 1 1/4" NPT		1 1/4" NPT		G16 1 1/2" NPT		1 1/4" NPT					
G7 SAE 20 - 1 5/8" - 12 UN		-		F1 1 1/2" SAE 3000 psi/M		-					
G8 SAE 20 - 1 5/8" - 12 UN		SAE 20 - 1 5/8" - 12 UN		F2 1 1/2" SAE 3000 psi/UNC		-					
G10 SAE 24 - 1 7/8" - 12 UN		-		F3 1 1/2" SAE 3000 psi/M		1 1/2" SAE 3000 psi/M					
G11 SAE 24 - 1 7/8" - 12 UN		SAE 20 - 1 5/8" - 12 UN		F4 1 1/2" SAE 3000 psi/UNC		1 1/2" SAE 3000 psi/UNC					
<b>Filtration rating (filter media)</b>											
A03 Inorganic microfiber 3 µm		M25 Wire mesh 25 µm									
A06 Inorganic microfiber 6 µm		M60 Wire mesh 60 µm									
A10 Inorganic microfiber 10 µm		M90 Wire mesh 90 µm									
A16 Inorganic microfiber 16 µm		P10 Resin impregnated paper 10 µm									
A25 Inorganic microfiber 25 µm		P25 Resin impregnated paper 25 µm									
All filter media except M60, P10 and P25 are compatible with fluids HFA, HFB and HFC											
<b>Element Δp</b>		Filter media		Axx		Mxx		Pxx			
N 10 bar		-		•		•					
H 10 bar		•		-		-					
										<b>Executions</b>	
										Bypass valve	
										E 3 bar	
										B 1.75 bar	
										Base	
										P01 <b>zerospark+</b>	
										Z01 MP Filtri standard	
										Pxx Zxx Customized	

### FILTER ELEMENT

<b>Element series and size</b>		Configuration example 1: <b>MFX180</b>   1   A25   H   B   E   P01									
<b>MFX180</b> Filter Element with <b>MYCLEAN</b> feature		Configuration example 2: <b>MFX180</b>   2   P10   N   V   P01									
<b>Element length</b>		1		2							
<b>Filtration rating (filter media)</b>											
A03 Inorganic microfiber 3 µm		M25 Wire mesh 25 µm									
A06 Inorganic microfiber 6 µm		M60 Wire mesh 60 µm									
A10 Inorganic microfiber 10 µm		M90 Wire mesh 90 µm									
A16 Inorganic microfiber 16 µm		P10 Resin impregnated paper 10 µm									
A25 Inorganic microfiber 25 µm		P25 Resin impregnated paper 25 µm									
<b>Element Δp</b>		Filter media		Axx		Mxx		Pxx			
N 10 bar		-		•		•					
H 10 bar		•		-		-					
										<b>Executions</b>	
										Seals	
										B NBR	
										V FPM	
										Bypass valve	
										E 3 bar	
										- 1.75 bar	
										Base	
										P01 <b>zerospark+</b>	
										Z01 MP Filtri standard	
										Pxx Zxx Customized	

### CLOGGING INDICATORS

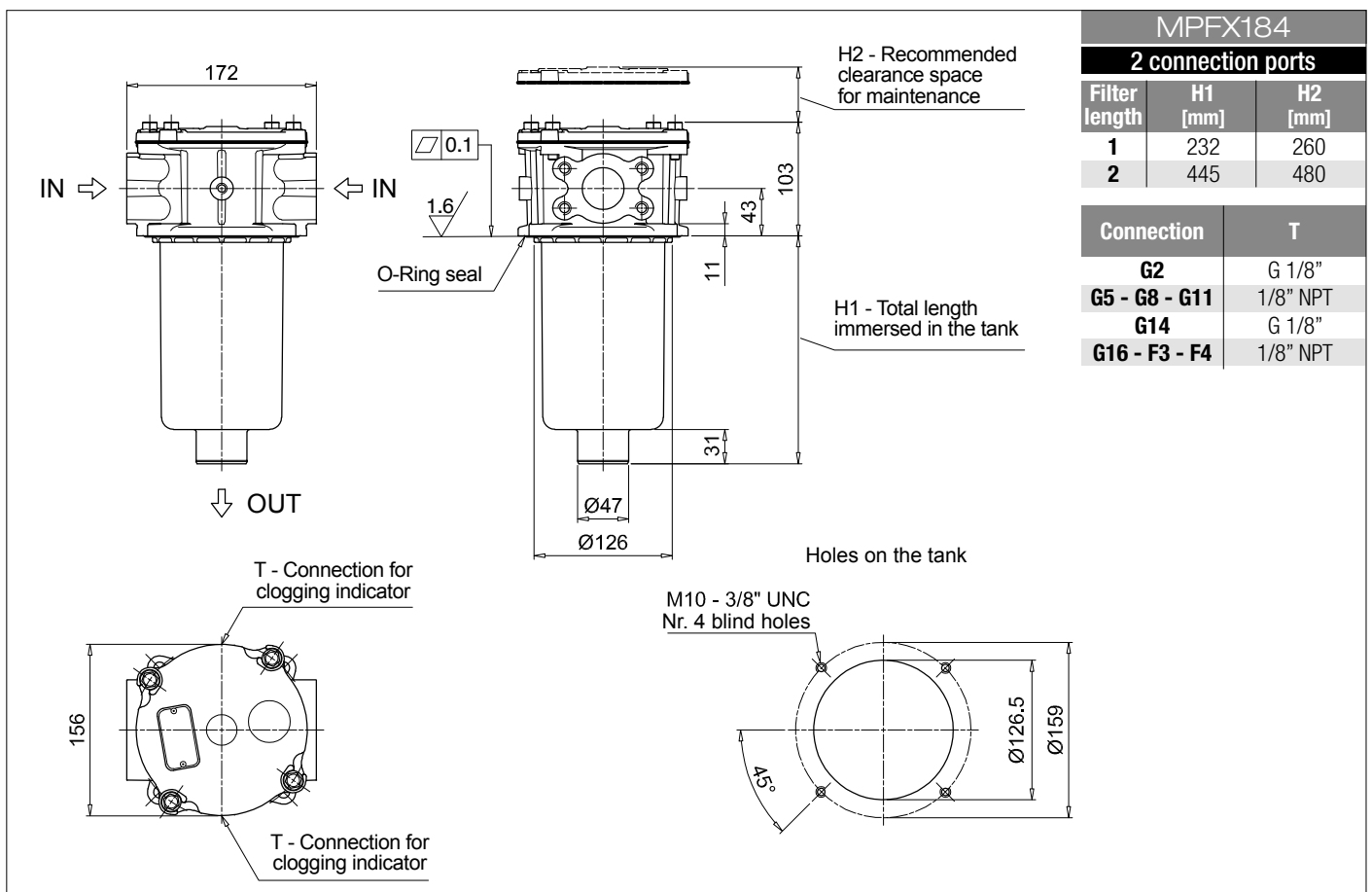
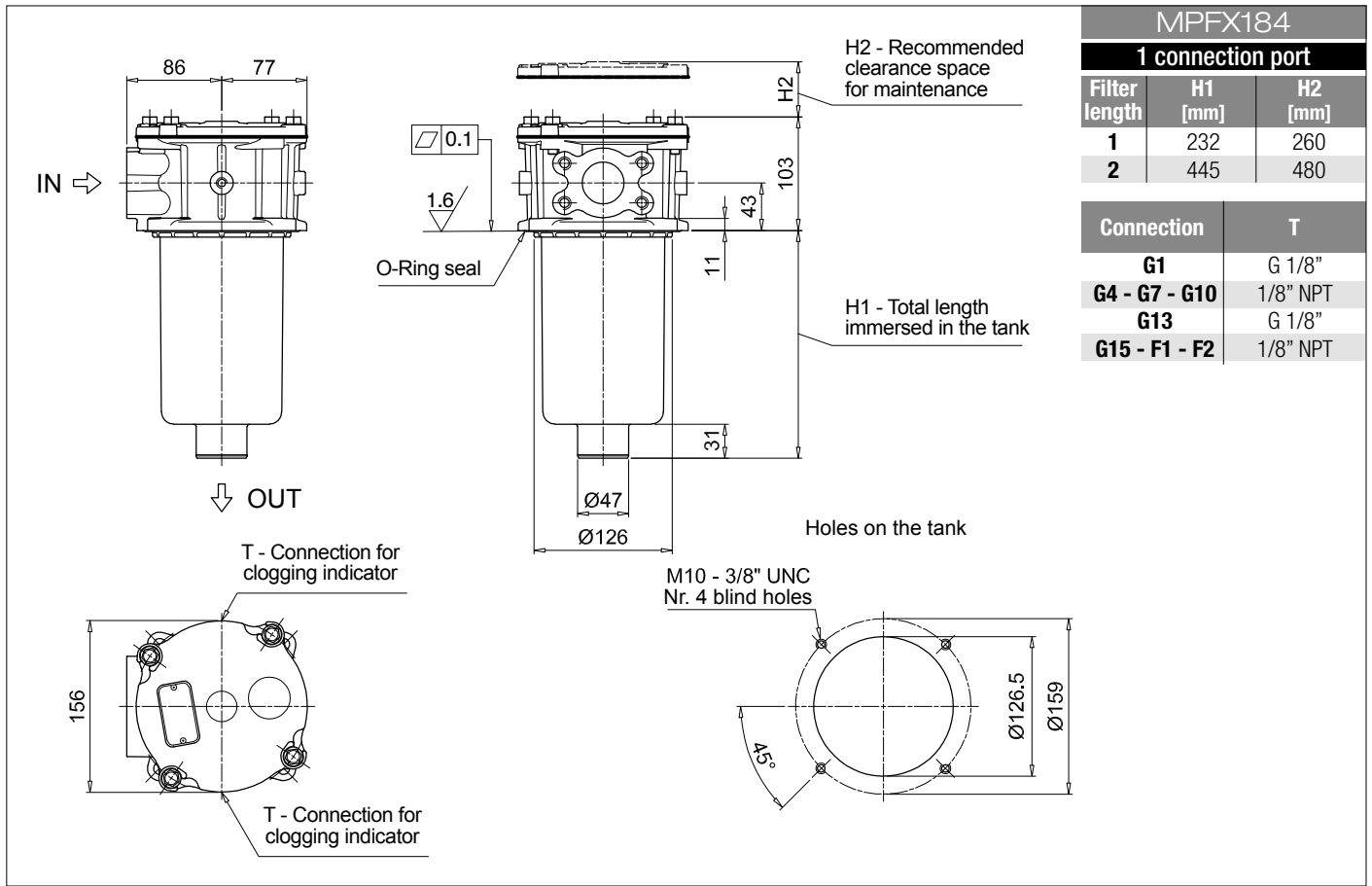
See page 680-681

<b>BVA</b> Axial pressure gauge	<b>BEA</b> Electrical pressure indicator
<b>BVR</b> Radial pressure gauge	<b>BEM</b> Electrical pressure indicator
<b>BVP</b> Visual pressure indicator with automatic reset	<b>BLA</b> Electrical / visual pressure indicator
<b>BVQ</b> Visual pressure indicator with manual reset	

### ADDITIONAL FEATURES

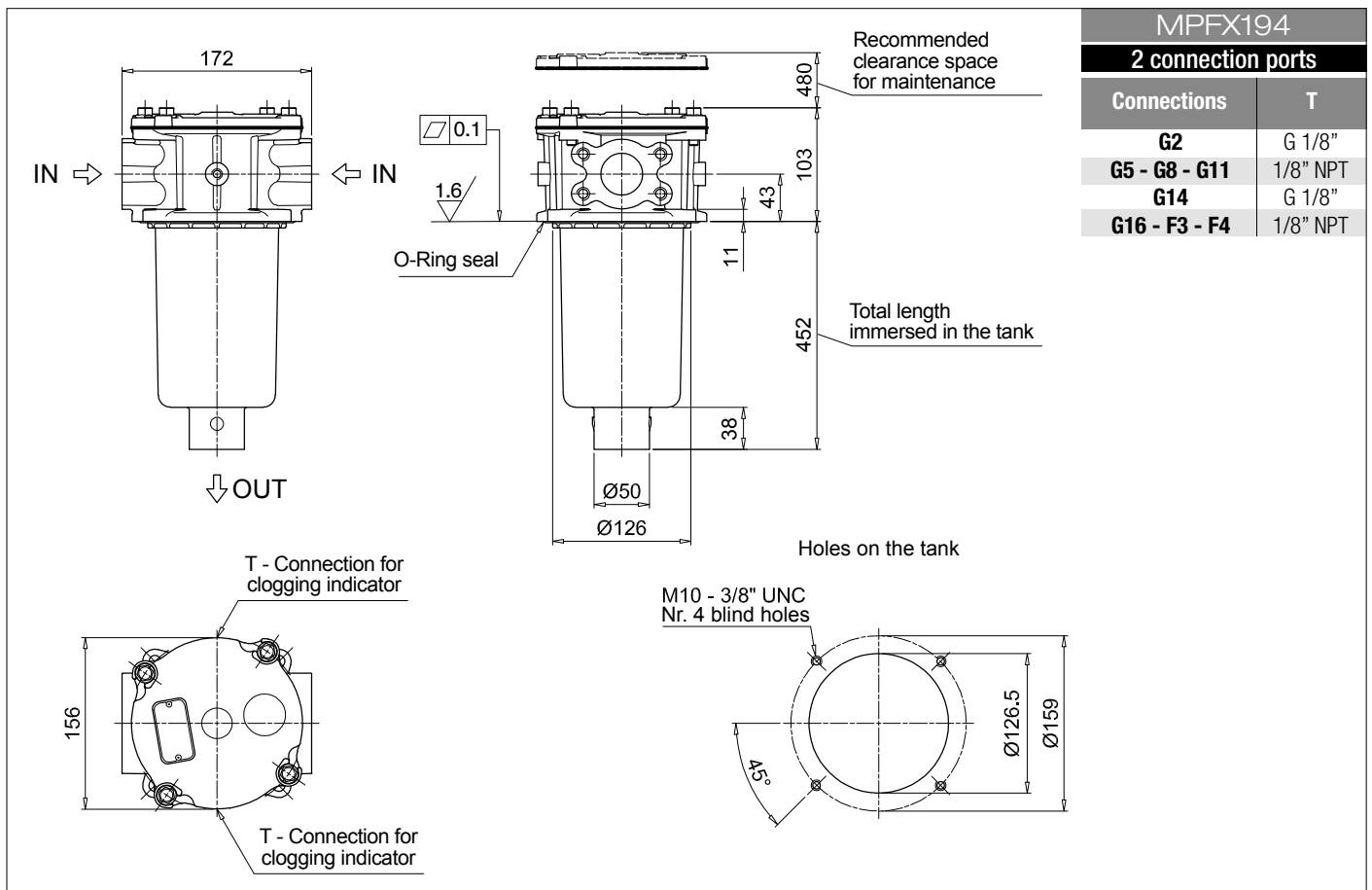
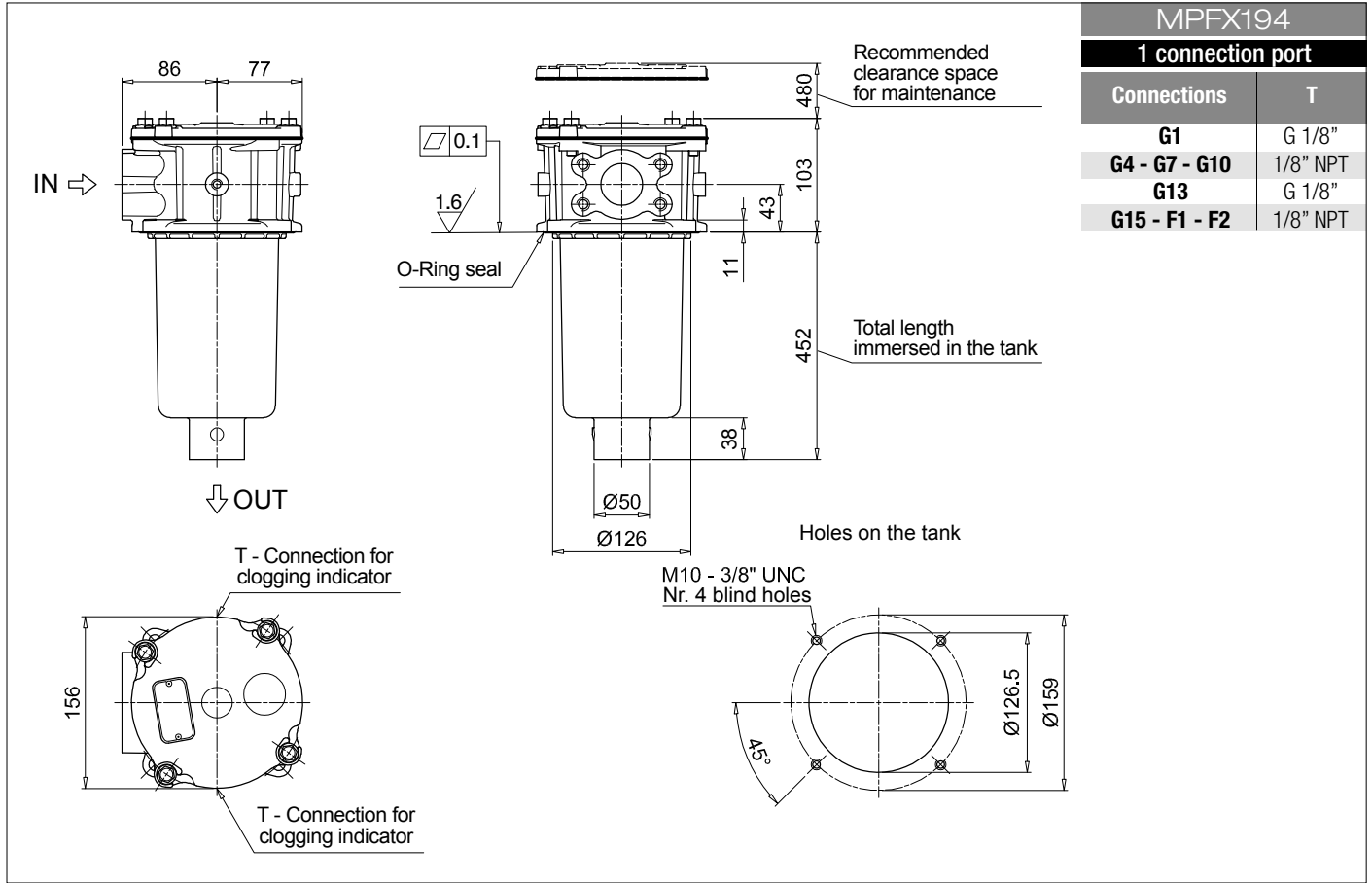
See page 262

<b>TE</b> Extension tube
<b>T5</b> Filler plug M30x1.5



# MPFX MPFX184 - MPFX194

## Dimensions





# MPFX MPFX400

## Designation & Ordering code

### COMPLETE FILTER

<b>Series and size</b>	Configuration example 1:	MPFX400	1	A	G9	A25	H	B	P01
<b>MPFX400</b> Filter featuring <b>MYCLEAN</b> Filter Element	Configuration example 2:	MPFX400	2	V	G4	P10	N	E	P01

<b>Length</b>	1	2	3
---------------	---	---	---

#### Seals and treatments

<b>A</b>	NBR
<b>V</b>	FPM
<b>W</b>	NBR head anodized
<b>Z</b>	FPM head anodized

#### Connections

<b>G1</b>	G 1 1/4"	<b>G6</b>	2" NPT
<b>G2</b>	G 1 1/2"	<b>G7</b>	SAE 20 - 1 5/8" - 12 UN
<b>G3</b>	G 2"	<b>G8</b>	SAE 24 - 1 7/8" - 12 UN
<b>G4</b>	1 1/4" NPT	<b>G9</b>	SAE 32 - 2 1/2" - 12 UN
<b>G5</b>	1 1/2" NPT		

#### Filtration rating (filter media)

<b>A03</b>	Inorganic microfiber	3 µm	<b>M25</b>	Wire mesh	25 µm
<b>A06</b>	Inorganic microfiber	6 µm	<b>M60</b>	Wire mesh	60 µm
<b>A10</b>	Inorganic microfiber	10 µm	<b>M90</b>	Wire mesh	90 µm
<b>A16</b>	Inorganic microfiber	16 µm	<b>P10</b>	Resin impregnated paper	10 µm
<b>A25</b>	Inorganic microfiber	25 µm	<b>P25</b>	Resin impregnated paper	25 µm

All filter media except M60, P10 and P25 are compatible with fluids HFA, HFB and HFC

Element Δp	Filter media		
	Axx	Mxx	Pxx
<b>N</b> 10 bar	-	•	•
<b>H</b> 10 bar	•	-	-

<b>Bypass valve</b>
<b>E</b> 3 bar
<b>B</b> 1.75 bar

Executions		
Base	zereospark <sup>®</sup>	
<b>P01</b>	<b>Z01</b>	MP Filtri standard
<b>Pxx</b>	<b>Zxx</b>	Customized

### FILTER ELEMENT

<b>Element series and size</b>	Configuration example 1:	MFX400	1	A25	H	B	P01	
<b>MFX400</b> Filter Element with <b>MYCLEAN</b> feature	Configuration example 2:	MFX400	2	P10	N	V	E	P01

<b>Element length</b>	1	2	3
-----------------------	---	---	---

#### Filtration rating (filter media)

<b>A03</b>	Inorganic microfiber	3 µm	<b>M25</b>	Wire mesh	25 µm
<b>A06</b>	Inorganic microfiber	6 µm	<b>M60</b>	Wire mesh	60 µm
<b>A10</b>	Inorganic microfiber	10 µm	<b>M90</b>	Wire mesh	90 µm
<b>A16</b>	Inorganic microfiber	16 µm	<b>P10</b>	Resin impregnated paper	10 µm
<b>A25</b>	Inorganic microfiber	25 µm	<b>P25</b>	Resin impregnated paper	25 µm

Element Δp	Filter media		
	Axx	Mxx	Pxx
<b>N</b> 10 bar	-	•	•
<b>H</b> 10 bar	•	-	-

<b>Seals</b>	<b>Bypass valve</b>
<b>B</b> NBR	<b>E</b> 3 bar
<b>V</b> FPM	- 1.75 bar

Executions		
Base	zereospark <sup>®</sup>	
<b>P01</b>	<b>Z01</b>	MP Filtri standard
<b>Pxx</b>	<b>Zxx</b>	Customized

### CLOGGING INDICATORS

See page 680-681

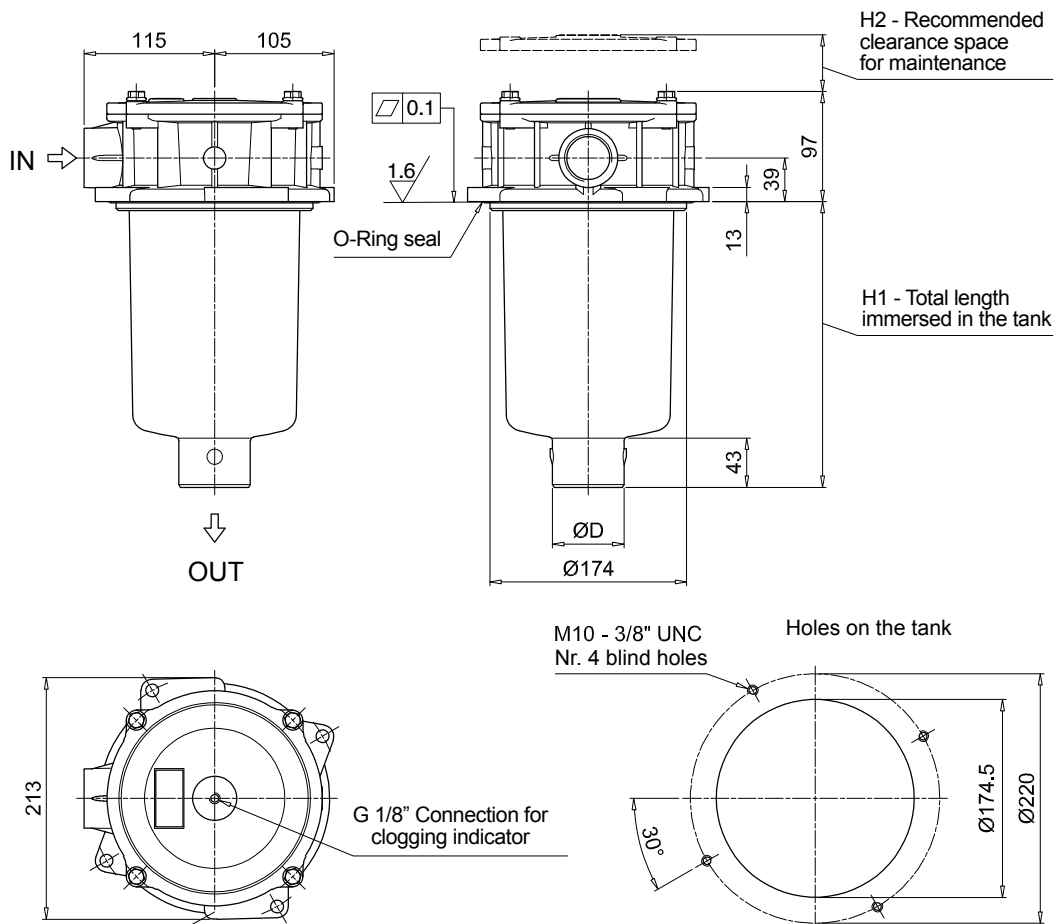
<b>BVA</b> Axial pressure gauge	<b>BEA</b> Electrical pressure indicator
<b>BVR</b> Radial pressure gauge	<b>BEM</b> Electrical pressure indicator
<b>BVP</b> Visual pressure indicator with automatic reset	<b>BLA</b> Electrical / visual pressure indicator
<b>BVQ</b> Visual pressure indicator with manual reset	

### ADDITIONAL FEATURES

See page 262

<b>T5</b> Filler plug M30x1.5
-------------------------------

MPFX400			
Filter length	H1 [mm]	H2 [mm]	D [mm]
<b>1</b>	187	210	50
<b>2</b>	252	270	63
<b>3</b>	300	315	63



# MPFX MPFX410

## Designation & Ordering code

### COMPLETE FILTER

<b>Series and size</b>	Configuration example 1: <b>MPFX410</b>   <b>1</b>   <b>V</b>   <b>G4</b>   <b>1</b>   <b>P10</b>   <b>N</b>   <b>E</b>   <b>P01</b>
<b>MPFX410</b> Filter featuring <b>MYCLEAN</b> Filter Element	Configuration example 2: <b>MPFX410</b>   <b>1</b>   <b>A</b>   <b>G1</b>   <b>1</b>   <b>A25</b>   <b>H</b>   <b>B</b>   <b>P01</b>
<b>Length</b>	<b>1</b>   <b>2</b>   <b>3</b>
<b>Seals and treatments</b>	
<b>A</b> NBR	
<b>V</b> FPM	
<b>W</b> NBR head anodized	
<b>Z</b> FPM head anodized	
<b>Main Connections</b>	<b>Aux size 1</b>
<b>G1</b> G 1 1/4"	G 1"
<b>G4</b> 1 1/4" NPT	1" NPT
<b>G7</b> SAE 20 - 1 5/8" - 12 UN	SAE 16 - 1 5/16" - 12 UN
<b>Aux connection</b> - see previous table	
<b>1</b> Aux size 1	
<b>Filtration rating (filter media)</b>	
<b>A03</b> Inorganic microfiber 3 µm	<b>M25</b> Wire mesh 25 µm
<b>A06</b> Inorganic microfiber 6 µm	<b>M60</b> Wire mesh 60 µm
<b>A10</b> Inorganic microfiber 10 µm	<b>M90</b> Wire mesh 90 µm
<b>A16</b> Inorganic microfiber 16 µm	<b>P10</b> Resin impregnated paper 10 µm
<b>A25</b> Inorganic microfiber 25 µm	<b>P25</b> Resin impregnated paper 25 µm

All filter media except M60, P10 and P25 are compatible with fluids HFA, HFB and HFC

Element Δp	Filter media			Bypass valve	Executions		
	Axx	Mxx	Pxx		Base	zere <span style="color: orange;">spark</span>	
<b>N</b> 10 bar	-	•	•	<b>E</b> 3 bar	<b>P01</b>	<b>Z01</b>	MP Filtri standard
<b>H</b> 10 bar	•	-	-	<b>B</b> 1.75 bar	<b>Pxx</b>	<b>Zxx</b>	Customized

### FILTER ELEMENT

<b>Element series and size</b>	Configuration example 1: <b>MFX400</b>   <b>1</b>   <b>P10</b>   <b>N</b>   <b>V</b>   <b>E</b>   <b>P01</b>
<b>MFX400</b> Filter Element with <b>MYCLEAN</b> feature	Configuration example 2: <b>MFX400</b>   <b>1</b>   <b>A25</b>   <b>H</b>   <b>B</b>   <b>P01</b>
<b>Element length</b>	<b>1</b>   <b>2</b>   <b>3</b>
<b>Filtration rating (filter media)</b>	
<b>A03</b> Inorganic microfiber 3 µm	<b>M25</b> Wire mesh 25 µm
<b>A06</b> Inorganic microfiber 6 µm	<b>M60</b> Wire mesh 60 µm
<b>A10</b> Inorganic microfiber 10 µm	<b>M90</b> Wire mesh 90 µm
<b>A16</b> Inorganic microfiber 16 µm	<b>P10</b> Resin impregnated paper 10 µm
<b>A25</b> Inorganic microfiber 25 µm	<b>P25</b> Resin impregnated paper 25 µm

Element Δp	Filter media			Seals	Bypass valve	Executions		
	Axx	Mxx	Pxx			Base	zere <span style="color: orange;">spark</span>	
<b>N</b> 10 bar	-	•	•	<b>B</b> NBR	<b>E</b> 3 bar	<b>P01</b>	<b>Z01</b>	MP Filtri standard
<b>H</b> 10 bar	•	-	-	<b>V</b> FPM	- 1.75 bar	<b>Pxx</b>	<b>Zxx</b>	Customized

### CLOGGING INDICATORS

See page 680-681

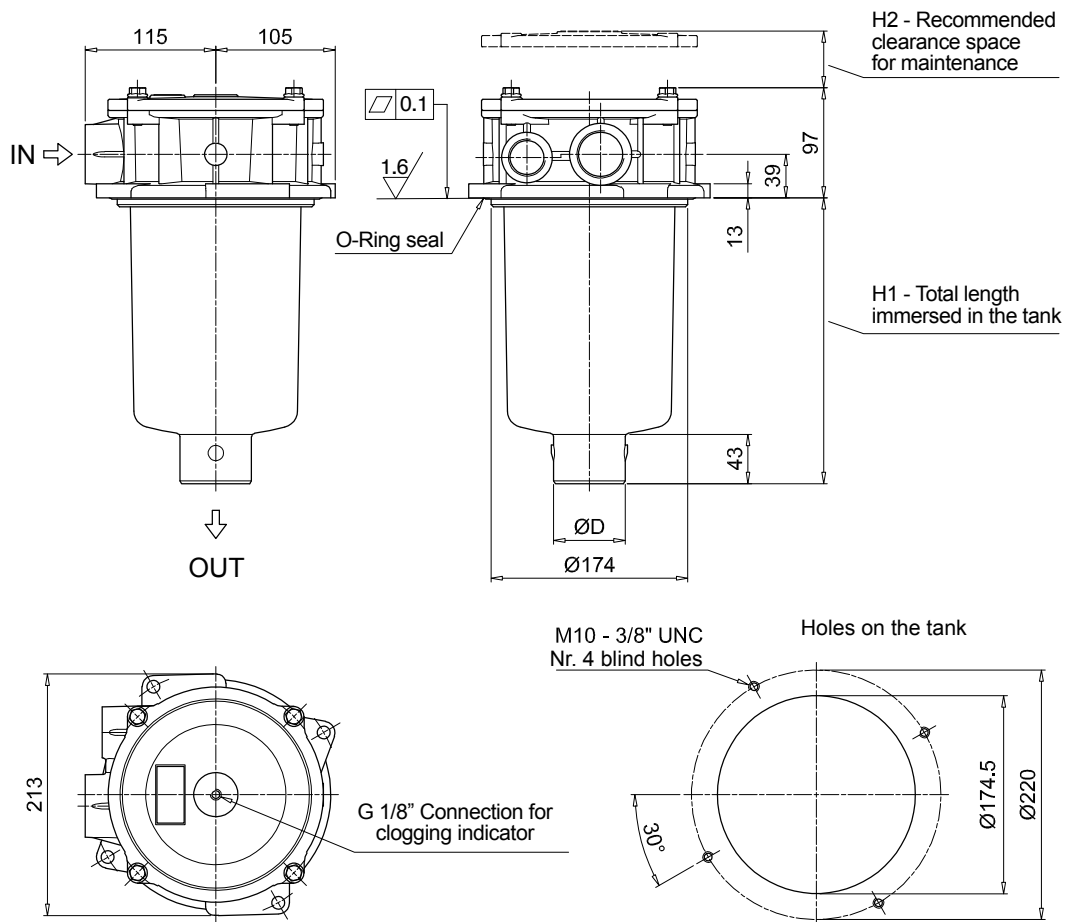
<b>BVA</b> Axial pressure gauge	<b>BEA</b> Electrical pressure indicator
<b>BVR</b> Radial pressure gauge	<b>BEM</b> Electrical pressure indicator
<b>BVP</b> Visual pressure indicator with automatic reset	<b>BLA</b> Electrical / visual pressure indicator
<b>BVQ</b> Visual pressure indicator with manual reset	

### ADDITIONAL FEATURES

See page 262

<b>T5</b> Filler plug M30x1.5
-------------------------------

MPFX410			
Filter length	H1 [mm]	H2 [mm]	D [mm]
<b>1</b>	187	210	50
<b>2</b>	252	270	63
<b>3</b>	300	315	63





# MPFX MPFX450 - MPFX451 - MPFX750

## Designation & Ordering code

### COMPLETE FILTER

<b>Series and size</b>				Configuration example 1: <b>MPFX450</b>   1   A   G1   A25   H   B   P01										
<b>MPFX450   MPFX451   MPFX750</b>				Configuration example 2: <b>MPFX750</b>   1   V   F2   P10   N   E   P01										
Filter featuring <b>MYCLEAN</b> Filter Element														
<b>Length</b>				<b>MPFX 450</b>	<b>MPFX 451</b>	<b>MPFX 750</b>								
<b>1</b>		•	•	•										
<b>2</b>		•	•	-										
<b>3</b>		•	•	-										
<b>Seals and treatments</b>														
<b>A</b>	NBR	<b>W</b>	NBR head anodized											
<b>V</b>	FPM	<b>Z</b>	FPM head anodized											
<b>Connections</b>				<b>Aux (only size 451)</b>										
<b>G1</b>	G 2"				G 3/4"									
<b>G4</b>	2" NPT				3/4" NPT									
<b>G7</b>	SAE 32 - 2 1/2" - 12 UN				SAE 12 - 1 1/16" - 12 UN									
<b>F1</b>	2" SAE 3000 psi/M				G 3/4"									
<b>F2</b>	2" SAE 3000 psi/UNC				3/4" NPT									
<b>Filtration rating (filter media)</b>														
<b>A03</b>	Inorganic microfiber 3 µm	<b>M25</b>	Wire mesh 25 µm											
<b>A06</b>	Inorganic microfiber 6 µm	<b>M60</b>	Wire mesh 60 µm											
<b>A10</b>	Inorganic microfiber 10 µm	<b>M90</b>	Wire mesh 90 µm											
<b>A16</b>	Inorganic microfiber 16 µm	<b>P10</b>	Resin impregnated paper 10 µm											
<b>A25</b>	Inorganic microfiber 25 µm	<b>P25</b>	Resin impregnated paper 25 µm											
All filter media except M60, P10 and P25 are compatible with fluids HFA, HFB and HFC														
<b>Element Δp</b>				<b>Filter media</b>			<b>Bypass valve</b>					<b>Executions</b>		
<b>N</b>	10 bar	<b>Axx</b>	-	<b>Mxx</b>	•	<b>Pxx</b>	<b>E</b>	3 bar	<b>P01</b>	<b>zereospark<sup>+</sup></b>	<b>Z01</b>	MP Filtri standard		
<b>H</b>	10 bar	<b>Axx</b>	•	<b>Mxx</b>	-	<b>Pxx</b>	<b>B</b>	1.75 bar	<b>Pxx</b>	<b>Zxx</b>	<b>Zxx</b>	Customized		

### FILTER ELEMENT

<b>Element series and size</b>				Configuration example 1: <b>MFx400</b>   1   A25   H   B   P01													
<b>MFx400   MFx750</b>				Configuration example 2: <b>MFx750</b>   1   P10   N   V   E   P01													
Filter Element with <b>MYCLEAN</b> feature																	
<b>Element length</b>				<b>MPFX 450</b>	<b>MPFX 451</b>	<b>MPFX 750</b>											
<b>1</b>		•	•	•													
<b>2</b>		•	•	-													
<b>3</b>		•	•	-													
<b>Filtration rating (filter media)</b>																	
<b>A03</b>	Inorganic microfiber 3 µm	<b>M25</b>	Wire mesh 25 µm														
<b>A06</b>	Inorganic microfiber 6 µm	<b>M60</b>	Wire mesh 60 µm														
<b>A10</b>	Inorganic microfiber 10 µm	<b>M90</b>	Wire mesh 90 µm														
<b>A16</b>	Inorganic microfiber 16 µm	<b>P10</b>	Resin impregnated paper 10 µm														
<b>A25</b>	Inorganic microfiber 25 µm	<b>P25</b>	Resin impregnated paper 25 µm														
<b>Element Δp</b>				<b>Filter media</b>			<b>Seals</b>					<b>Bypass valve</b>			<b>Executions</b>		
<b>N</b>	10 bar	<b>Axx</b>	-	<b>Mxx</b>	•	<b>Pxx</b>	<b>B</b>	NBR	<b>E</b>	3 bar	<b>P01</b>	<b>zereospark<sup>+</sup></b>	<b>Z01</b>	MP Filtri standard			
<b>H</b>	10 bar	<b>Axx</b>	•	<b>Mxx</b>	-	<b>Pxx</b>	<b>V</b>	FPM	<b>-</b>	1.75 bar	<b>Pxx</b>	<b>Zxx</b>	<b>Zxx</b>	Customized			

### CLOGGING INDICATORS

See page 680-681

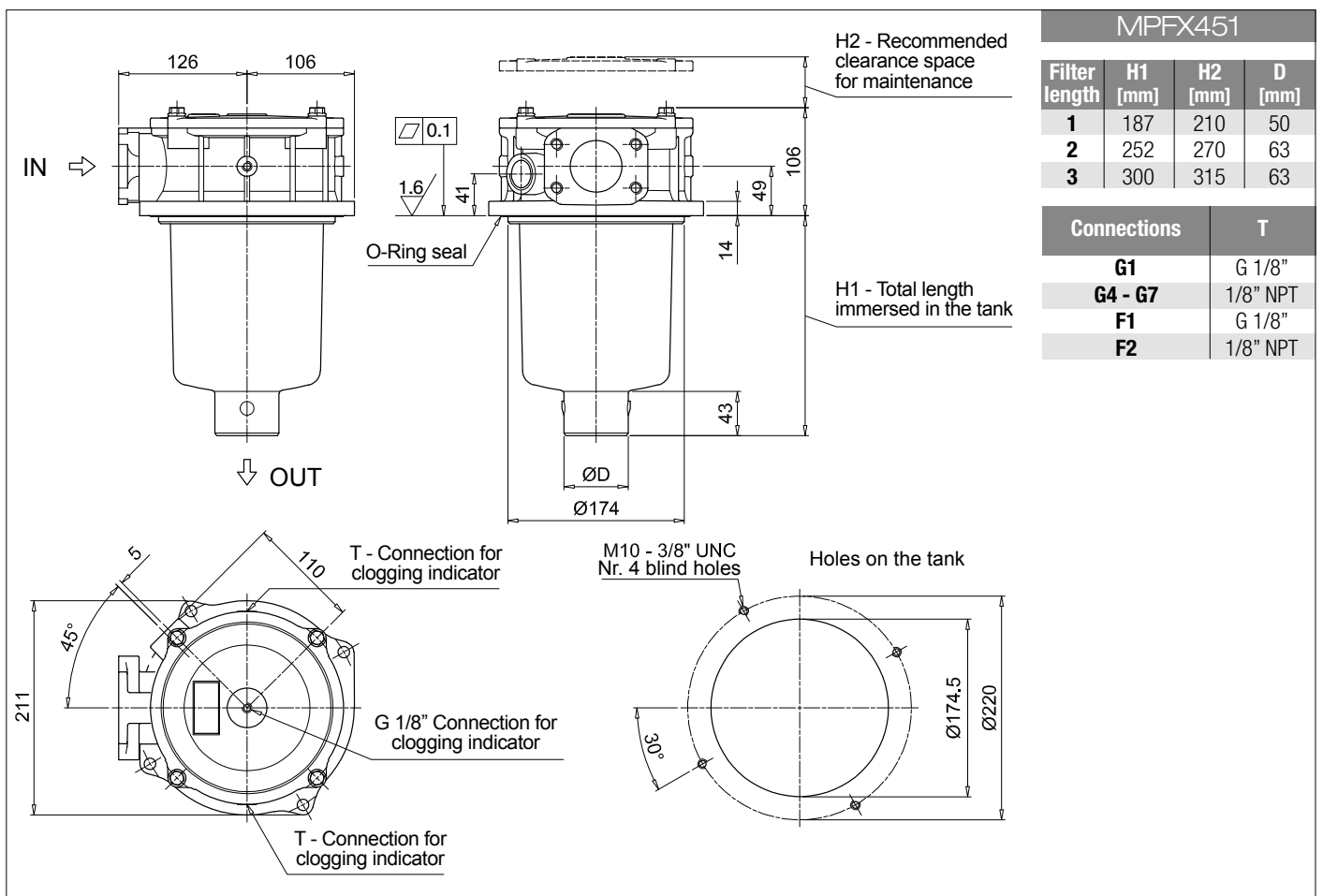
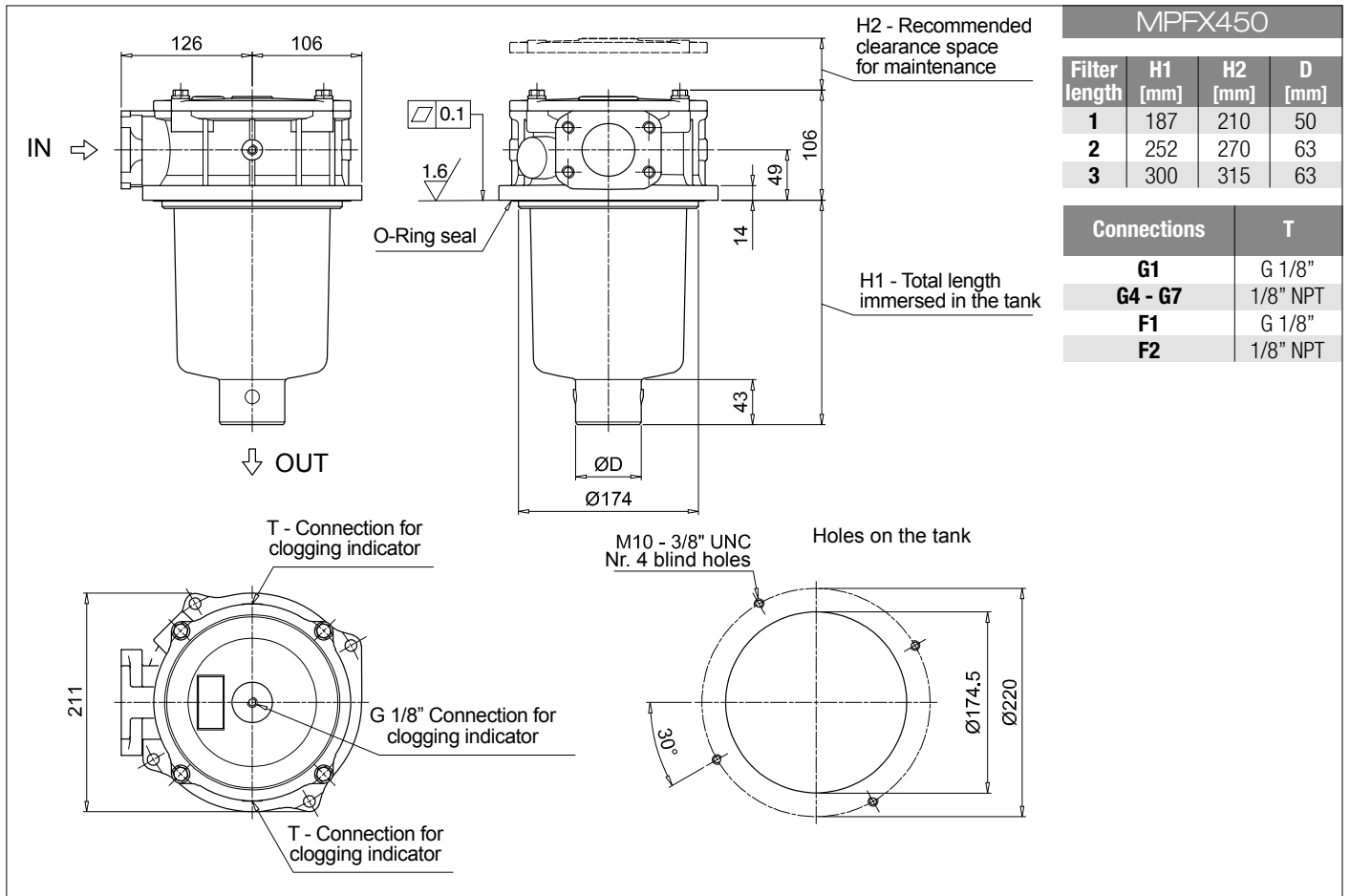
<b>BVA</b>	Axial pressure gauge
<b>BVR</b>	Radial pressure gauge
<b>BVP</b>	Visual pressure indicator with automatic reset
<b>BVQ</b>	Visual pressure indicator with manual reset

<b>BEA</b>	Electrical pressure indicator
<b>BEM</b>	Electrical pressure indicator
<b>BLA</b>	Electrical / visual pressure indicator

### ADDITIONAL FEATURES

See page 262

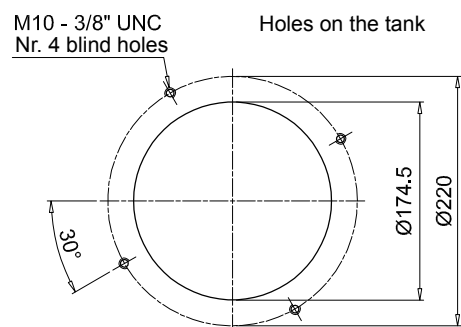
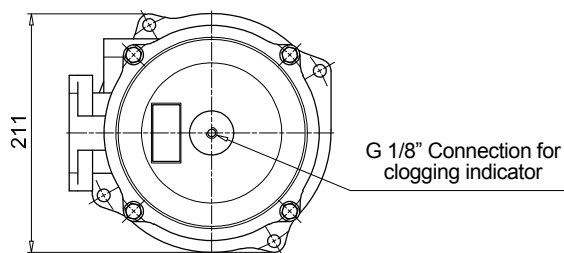
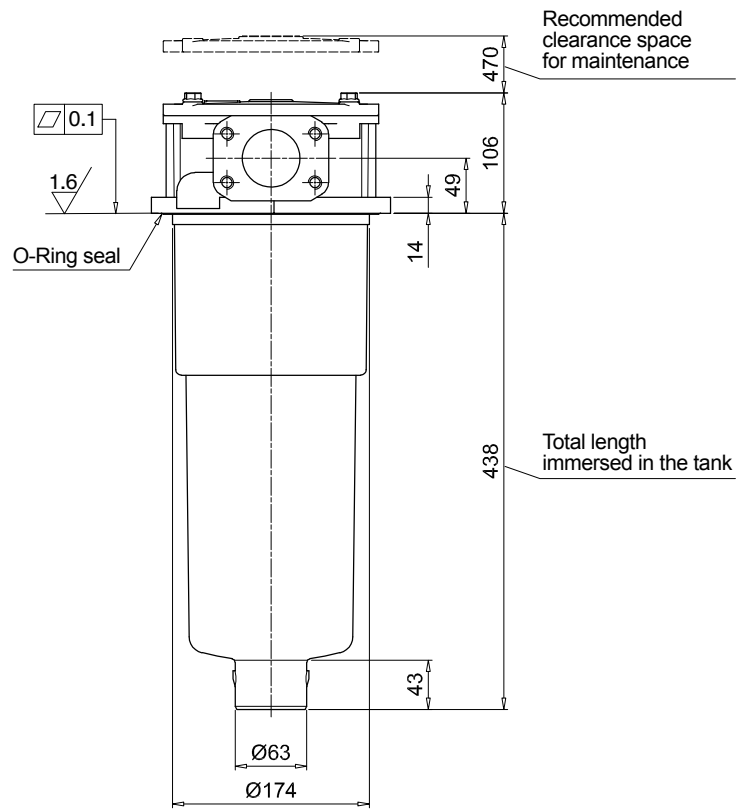
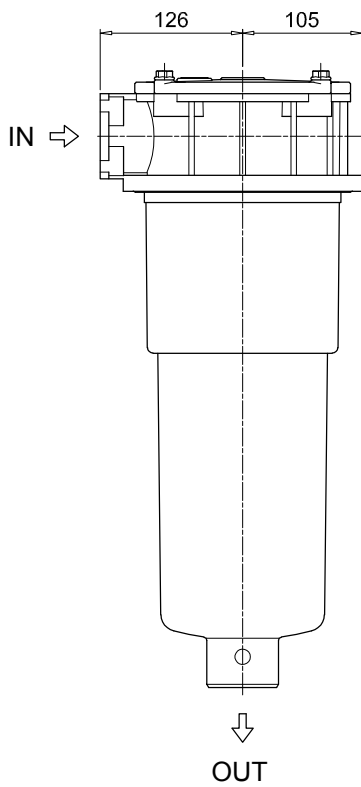
<b>T5</b>	Filler plug M30x1.5
-----------	---------------------



# MPFX MPFX450 - MPFX451 - MPFX750

## Dimensions

MPFX750



**MPFX 100**

**MPFX 181**

**O-RING SEAL**

	Q.ty: 1 pc.	Q.ty: 1 pc.	
Item:	<b>2</b>	<b>3</b> (3a ÷ 3d)	
Filter series	Filter element	Seal Kit code number	
		NBR	FPM
<b>MPFX 030</b>	See order table	02050675	02050676
<b>MPFX 100-110</b>		02050677	02050678
<b>MPFX 181-182</b>		02050681	02050682
<b>MPFX 184</b>		02050685	02050686
<b>MPFX 191-192</b>		02050683	02050684
<b>MPFX 194</b>		02050687	02050688
<b>MPFX 400-410</b>		02050695	02050696
<b>MPFX 450-451</b>		02050697	02050698
<b>MPFX 750</b>		02050699	02050700

**MPFX 104**

**MPFX 181**

**FLAT SEAL**

	Q.ty: 1 pc.	Q.ty: 1 pc.	
Item:	<b>2</b>	<b>3</b> (3a ÷ 3d)	
Filter series	Filter element	Seal Kit code number	
		NBR	FPM
<b>MPFX 104</b>	See order table	02050679	02050680
<b>MPFX 181-182</b>		02050691	02050692
<b>MPFX 191-192</b>		02050691	02050692

# Accessories

## POLYAMIDE EXTENSION TUBE

H1 - Total length immersed in the tank

Configuration example: **TE** **40** **A** **250**

Series	Size	Material	Length	H [mm]
<b>TE</b>			<b>200</b>	200
	<b>25</b>	<b>A</b> Polyamide	<b>250</b>	250
	<b>32</b>		<b>300</b>	300
	<b>40</b>		<b>350</b>	350
			<b>400</b>	400
			<b>450</b>	450
			<b>500</b>	500

COMPATIBILITY TABLE															
Filter series	Filter size			Filter length	Tube length										
					TE25	TE32	TE40	200	250	300	350	400	450	500	
MPF - MPFX	30			1	•	-	-	266	316	366	416	466	516	566	
MPF	100	104	110	1	-	•	-	275	325	375	425	475	525	575	
				2	-	-	-	322	372	422	472	522	572	622	
				3	-	-	•	400	450	500	550	600	650	700	
				4	-	-	-	502	552	602	652	702	752	802	
MPFX	100	104	110	1	-	-	•	277	327	377	427	477	527	577	
				2	-	-	-	322	372	422	472	522	572	622	
				3	-	-	•	400	450	500	550	600	650	700	
				4	-	-	-	502	552	602	652	702	752	802	
MPF MPFX	181	182	184	1	-	-	•	410	460	510	560	610	660	710	
				2	-	-	-	623	673	723	773	823	873	923	
MPT MPTX	025		027		1	•	-	-	278	328	378	428	478	528	578
					2	-	-	-	342	392	442	492	542	592	642
					3	-	-	-	380	430	480	530	580	630	680
MPT	110	114	116	120	1	-	•	-	273	323	373	423	473	523	573
					2	-	-	-	320	370	420	470	520	570	620
					3	-	-	•	396	446	496	546	596	646	696
					4	-	-	-	498	548	598	648	698	748	798
MPTX	110	114	116	120	1	-	-	•	273	323	373	423	473	523	573
					2	-	-	-	318	368	418	468	518	568	618
					3	-	-	-	396	446	496	546	596	646	696
					4	-	-	-	498	548	598	648	698	748	798

## STEEL EXTENSION TUBE

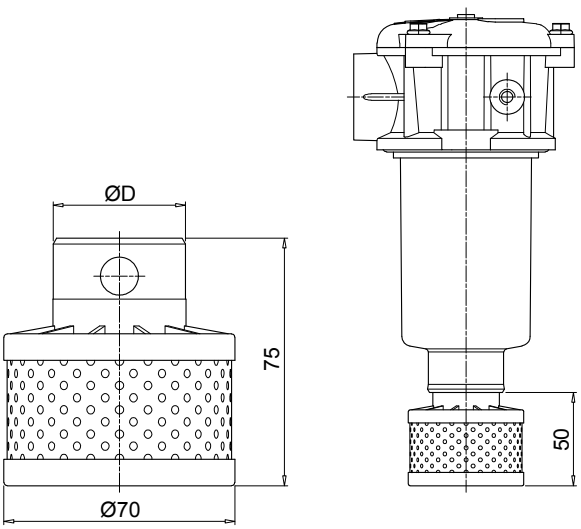
H1

Configuration example: **MPF191** **2** **A** **F1** **A10** **H** **B** **S60**

Length	H1 [mm]
<b>S30</b>	300
<b>S35</b>	350
<b>S40</b>	400
<b>S45</b>	450
<b>S50</b>	500
<b>S60</b>	600
<b>S70</b>	700
<b>S80</b>	800
<b>S90</b>	900

COMPATIBILITY TABLE							
Filter series	Filter size			Filter length	ø D [mm]		
					52	65	
MPF	191	192	194	2	•	-	
				1	•	-	
	400	410	450	451	2	-	•
					3	-	•
		750			1	-	•

## DIFFUSER WITH FAST LOCK CONNECTION

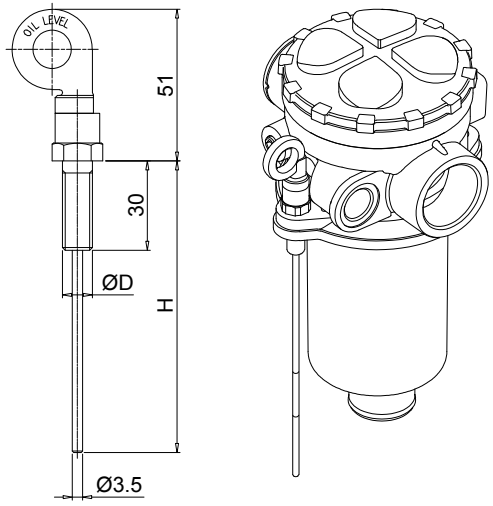


Configuration example: **DFS 32 A 075**

Series		<b>DFS</b>
Size	ø D [mm]	
<b>32</b>	32	
<b>40</b>	40	
Version		<b>A</b> Standard
Length		<b>075</b> Standard

COMPATIBILITY TABLE							
Filter series	Filter size			Filter Length	DFS32	DFS40	
MPF	100	104	110	1	•	-	
				2	-	-	
				3	-	•	
				4	-	-	
MPFX	100	104	110	1	-	•	
				2	-	•	
				3	-	-	
				4	-	-	
MPT	110	114	116	120	1	•	-
					2	-	-
					3	-	•
					4	-	-
MPTX	110	114	116	120	1	-	•
					2	-	•
					3	-	-
					4	-	-

## DIPSTICK



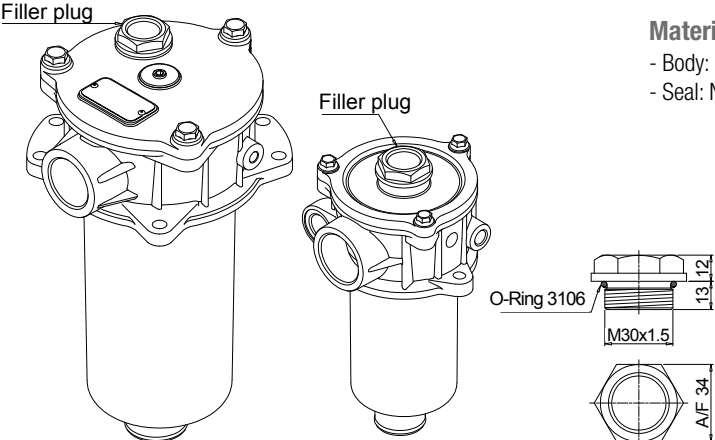
Configuration example: **DPT 20 M10 A P01**

Series		<b>DPT</b>
Length	H [mm]	
<b>15</b>	134	
<b>20</b>	184	
<b>25</b>	234	
<b>30</b>	284	
<b>35</b>	334	
Fastening		
<b>M8</b>	Fastening with screws ø D = M8	
<b>M10</b>	Fastening with screws ø D = M10	
Seals		
<b>A</b>	NBR	
<b>V</b>	FPM	
Execution		
<b>P01</b>	MP Filtri standard	
<b>Pxx</b>	Customized	

**Materials**  
 - Screw: phosphatized steel  
 - Stick: phosphatized steel  
 - Handle: Polyamide

**Technical data**  
 Working temperature: from -25 °C to +110 °C

## FILLER PLUG



Configuration example: **DPT 20 M10 A P01**

Series		<b>DPT</b>
Length	H [mm]	
<b>15</b>	134	
<b>20</b>	184	
<b>25</b>	234	
<b>30</b>	284	
<b>35</b>	334	
Fastening		
<b>M8</b>	Fastening with screws ø D = M8	
<b>M10</b>	Fastening with screws ø D = M10	
Seals		
<b>A</b>	NBR	
<b>V</b>	FPM	
Execution		
<b>P01</b>	MP Filtri standard	
<b>Pxx</b>	Customized	

**Materials**  
 - Body: Polyamide  
 - Seal: NBR

**Technical data**  
 Tightening torque: 15 N·m

O-Ring 3106 / M30x1.5 / 13 12 / A/F 34

For any further information, please, contact our commercial dept.