

BELL-HOUSINGS

**POWER
TRANSMISSION**

CATALOGUE



PASSION TO PERFORM



A WORLDWIDE LEADER IN THE FIELD
OF HYDRAULIC FILTRATION EQUIPMENT.

Our company started life in 1964, when Bruno Pasotto decided to attempt to cater for the requests of a market still to be fully explored, with the study, design, development, production and marketing of a vast range of filters for hydraulic equipment, capable of satisfying the needs of manufacturers in all sectors. The quality of our products, our extreme competitiveness compared with major international producers and our constant activities of research, design and development has made us a worldwide leader in the field of hydraulic circuit filtering. Present for over 50 years in the market, we have played a truly decisive role in defining our sector, and by now we are a group capable of controlling our entire chain of production, monitoring all manufacturing processes to guarantee superior quality standards and to provide concrete solutions for the rapidly evolving needs of customers and the market.

POWER TRANSMISSION PRODUCTS

1	page	INTRODUCTION	
4		COMPANY	
8		PRODUCT RANGE	
10		BELL-HOUSINGS & COUPLINGS SIZING	
12		SELECTION SOFTWARE	
14	page	COUPLINGS	
16		General Information	
21		SGEG - SGEA - SGES - SGEK - EGE	Flexible half-coupling in aluminium, cast iron and steel
39		AKG	IEC electric motor range from size 63 up to size 225
47		SGDR - EGR	Curved-tooth steel gear coupling
53		SGES - EGE	Components for e-PTO systems
56	page	BELL-HOUSINGS	
58		General Information	
63		LMG	Bell-housing with rectangular flange
75		LMC - LDC	Bell-housing for piston, screw and vane pumps
83		LMS - LDS	Bell-housing - Low Noise
91		MULTI-COMPONENTS	Bell-housing - Multi-components 2 - 3
113		LME	Range for endothermic motors from 3 to 13.5 Hp
122	page	ACCESSORIES	
124		ANM A	Damping rings
126		PDM A	Foot brackets
127		MPDR PDMA - MPDR	Damping rods
128		OB	Cleaning covers
133		SE10	Aluminium tanks

Our work is based on a skillful interaction between advanced technology and fine workmanship, **customizing products according to specific market requests**, focusing strongly on innovation and quality, and following every step in the manufacturing of both standard and special products, fully respecting customer expectations.

MARKET
LEADER



Our customer-oriented philosophy, which enables us to satisfy all customer requests **rapidly** and **with personalized products**, makes us a **dynamic and flexible enterprise**.

The possibility of constantly controlling and monitoring the entire production process is essential to allow us to guarantee the quality of our products.

WORLDWIDE PRESENCE



Scan or click me!

Our foreign Branches enable us to offer a diversified range of products that allow us to successfully face the aggressive challenge of international competition, and also to maintain a stable presence at a local level.

The Group boasts **9** business branches



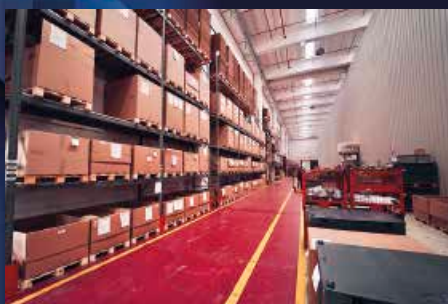
TECHNOLOGY

Our constant **quest for excellence in quality and technological innovation** allows us to offer only the best solutions and services for applications in many fields, including general industry, test rigs, lubrication, heavy engineering, renewable energies, naval engineering, offshore engineering, aviation systems, emerging technologies and mobile plant (i.e. tractors, excavators, concrete pumps, platforms).



AND PRODUCTION

Our high level of technological expertise means **we can rely entirely on our own resources, without resorting to external providers.** This in turn enables us to satisfy a growing number of customer requests, also exploiting our constantly updated range of machines and equipment, featuring **fully-automated workstations** capable of **24-hour production.**





SUCTION FILTERS

- Mounting:
- Tank immersed
 - In-Line
 - In tank with shut off valve
 - In tank with flooded suction



RETURN FILTERS

- Mounting:
- In-Line
 - Tank top
 - In single and duplex designs



RETURN / SUCTION FILTERS

- Mounting:
- In-Line
 - Tank top



SPIN-ON FILTERS

- Mounting:
- In-Line
 - Tank top



LOW & MEDIUM PRESSURE FILTERS

- Mounting:
- In-Line
 - Parallel manifold version
 - In single and duplex designs



HIGH PRESSURE FILTERS

- Mounting:
- In-Line
 - Manifold
 - In single and duplex designs

PRODUCT RANGE

MP Filtri can offer a vast and articulated range of products for the global market, suitable for all industrial sectors using hydraulic equipment.

This includes filters (suction, return, return/suction, spin-on, pressure, stainless steel pressure, ATEX filters) and structural components (motor/pump bell-housings, transmission couplings, damping rings, foot brackets, aluminium tanks, cleaning covers).

We can provide all the skills and solutions required by the modern hydraulics industry to monitor contamination levels and other fluid conditions.

Mobile filtration units and a full range of accessories allow us to supply everything necessary for a complete service in the hydraulic circuits.



STAINLESS STEEL HIGH PRESSURE FILTERS

- Mounting:
- In-Line
 - Manifold
 - In single and duplex designs

FILTERS FOR POTENTIALLY EXPLOSIVE ATMOSPHERE

- Mounting:
- In-Line

CONTAMINATION CONTROL SOLUTIONS

- Off-line, in-line particle analyser
- Off-line bottle sampling products
- Fully calibrated using relevant ISO standards
- A wide range of variants to support fluid types and communication protocols
- Mobile Filtration Units with flow rates from 15 l/min up to 200 l/min

POWER TRANSMISSION PRODUCTS

- Aluminium bell-housings for motors from 0.12 kW to 400 kW
- Couplings in Aluminium Cast Iron - Steel
- Damping rings
- Foot bracket
- Aluminium tanks
- Cleaning covers

TANK ACCESSORIES

- Oil filler and air breather plugs
- Optical and electrical level gauges
- Pressure gauge valve selectors
- Pipe fixing brackets
- Pressure gauges

Bell-housings & Couplings sizing

	p.
AUTOMATIC	11
MANUALLY	12

SOFTWARE FOR AUTOMATIC CALCULATION

The web-based software program will allow you to select the most suitable MP Filtri's Filters, in accordance with your process design requirements.

The program will automatically check your input design process prior to propose you the acceptable solutions and create an output in PDF report style format.

The MP Filtri Selection Tool software program is easy to use with a flexible fast design method and provides improved layout formats with full descriptions.

The web-based tool is available at MP Filtri website at following link:
<https://www.mpfiltri.com/tools/>

The related, complete user guide is available as Manual and downloadable from the "Download" section of MP Filtri website, as well as scanning the following QR code



Scan or click me!



**BELL-HOUSINGS
& COUPLINGS**





BELL-HOUSINGS & COUPLINGS SIZING

A GUIDE TO SELECT THE CORRECT BELL-HOUSING AND DRIVE COUPLING MANUALLY

DATA REQUIRED

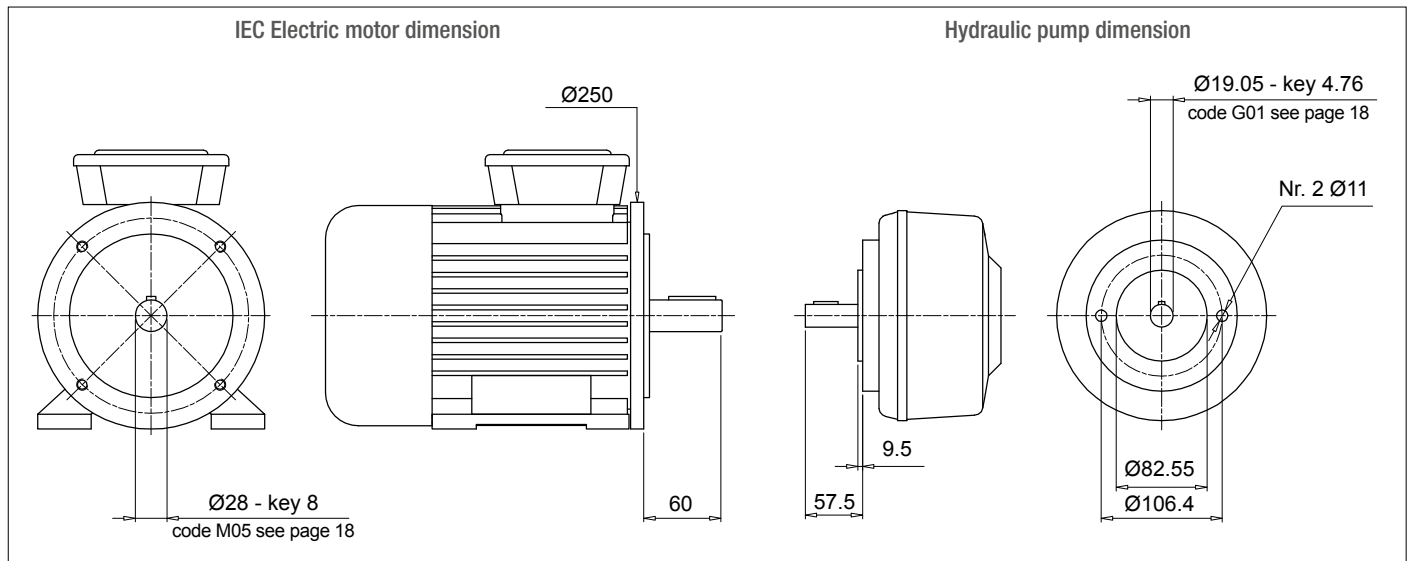
- Electric motor power/motor size
- Manufacturer and pump type

TO VERIFY:

- 1 - Pump and motor shaft dimensions (see electric motor data sheet)
- 2 - Shaft and flange pump (see pump data sheet)

Example:

- Electric motor 2.2 kW - size 100-112
- Atos pump code PFE31 - Shaft 1



Bell-Housing's length calculation

- $H = 60 + 18 + 57.5 = 135.5$ mm (18 = Sp spider - see page 31)
- Choose type of bell-housing (LMC - LMS):
For monobloc bell-housing LMC/LDC series see pages 75 ÷ 81
For Low noise bell-housing LMS/LDS series see pages 81 ÷ 89
For Multi-components 2-3 bell housing series see pages 91 ÷ 111

Note:

The length of bell-housing must be \geq than the length calculated (135.5 mm)

Case A

Solution with monobloc bell-housing series **LMC/LDC**

Pages 75 ÷ 81 for IEC Electric motor size 100-112 - LMC250

LMC 250 bell-housing with height ≥ 135.5 - LMC250AFSQ

The bell-housing code must be completed with pump drilling code (see pages 60-61).

For the specific case:

Spigot hole 82.55 - PCD 106.4 - Nr.2 holes M10 : Drilling code 060

Definitive bell-housing code **LMC250AFSQ060**

Case B

Solution with low noise bell-housing series **LMS/LDS**

Pages 83 ÷ 89 for IEC Electric motor size 100-112 - LMS250

LMS 250 bell-housing with height ≥ 135.5 - LMS250AFSA

The bell-housing code must be completed with pump drilling code (see pages 60-61).

For the specific case:

Spigot hole 82.55 - PCD 106.4 - Nr.2 holes M10 : Drilling code 060

Definitive bell-housing code **LMS250AFSA060**

Coupling selection

Motor half-coupling (see page 26)

For IEC Electric motor size 100/112, the half-coupling is **SGEA21M05060**

Spider (see page 31)

For SGEA21, EGE2 - EGE2RR

(choose spider material on the base of the application, oil, temperature and cycle machine, etc.)

Pump half-coupling

Choose the drilling code - see pages 18-19 for shaft 19.05 - key 4.76 - code: **G01**

Pump half-coupling length = BH length - THK Spider - THK Spigot

$$\text{LMC} = 138 \text{ mm} - 60 - 18 - 9.5 = 50.5 \text{ mm}$$

$$\text{LMS} = 148 \text{ mm} - 60 - 18 - 9.5 = 60.5 \text{ mm}$$

LMC - Choose the half-coupling's length at page 26 \leq 50.5 mm.

LMS - Choose the half-coupling's length at page 26 \leq 60.5 mm.

LMC - Available length for SGEA21 = 50 mm

LMS - Available length for SGEA21 = 60 mm

Half coupling for LMC: **SGEA21G01050**

Half coupling for LMS: **SGEA21G01050**

Note: for multi pumps we recommend to use a specific support on the base of the pump's dimensions and weight.

Bell-Housing are used as connecting elements between IEC motors and engine motors with wide range of hydraulic pumps available on the international market.

Made in Aluminum die cast, they cover a range from IEC motor size 63 to IEC motor size 355 and engine motors from 2 Hp to 15 Hp.

They are available in six different styles:

- LMG series for gear pumps
- LMC series monobloc bell-housing
- LDC series made in 2 pcs fixed by screws
- LMS series able to reduce the noise
- LDS series made in 2 pcs fixed by screws
- MULTI-COMPONENTS made by 3 pcs for IEC motors from sizes 132 up to size 225,
made by 2 pcs for IEC motors from size 250 up to size 355
- LME series for engine motors

For the Bell-Housing selection you require please see our on-line software at www.mpfiltri.com.

Bell-Housings



GENERAL INFORMATION	page 58
LMG	63
LMC - LDC	75
LMS - LDS	83
MULTI-COMPONENTS	91
LME	113

Noise is a particularly pervasive problem so much so that there have been statutory regulations in place now for some years, designed to limit harmful occupational exposure.

Many of the machines used in industry today are equipped with oil-hydraulic systems, which happen to be a major source of noise.

① THEORY AND DEFINITION OF NOISE

From a health and hygiene standpoint, noise can be defined as an unpleasant and undesirable sound, or an unpleasant and annoying or intolerable auditory sensation (noise being any sound phenomena that may be accompanied by sensations of disturbance and pain). By definition, acoustic phenomena are oscillatory in character, propagated in a flexible medium and causing pressure variations at the points, and the areas adjacent to those points, through which they pass.

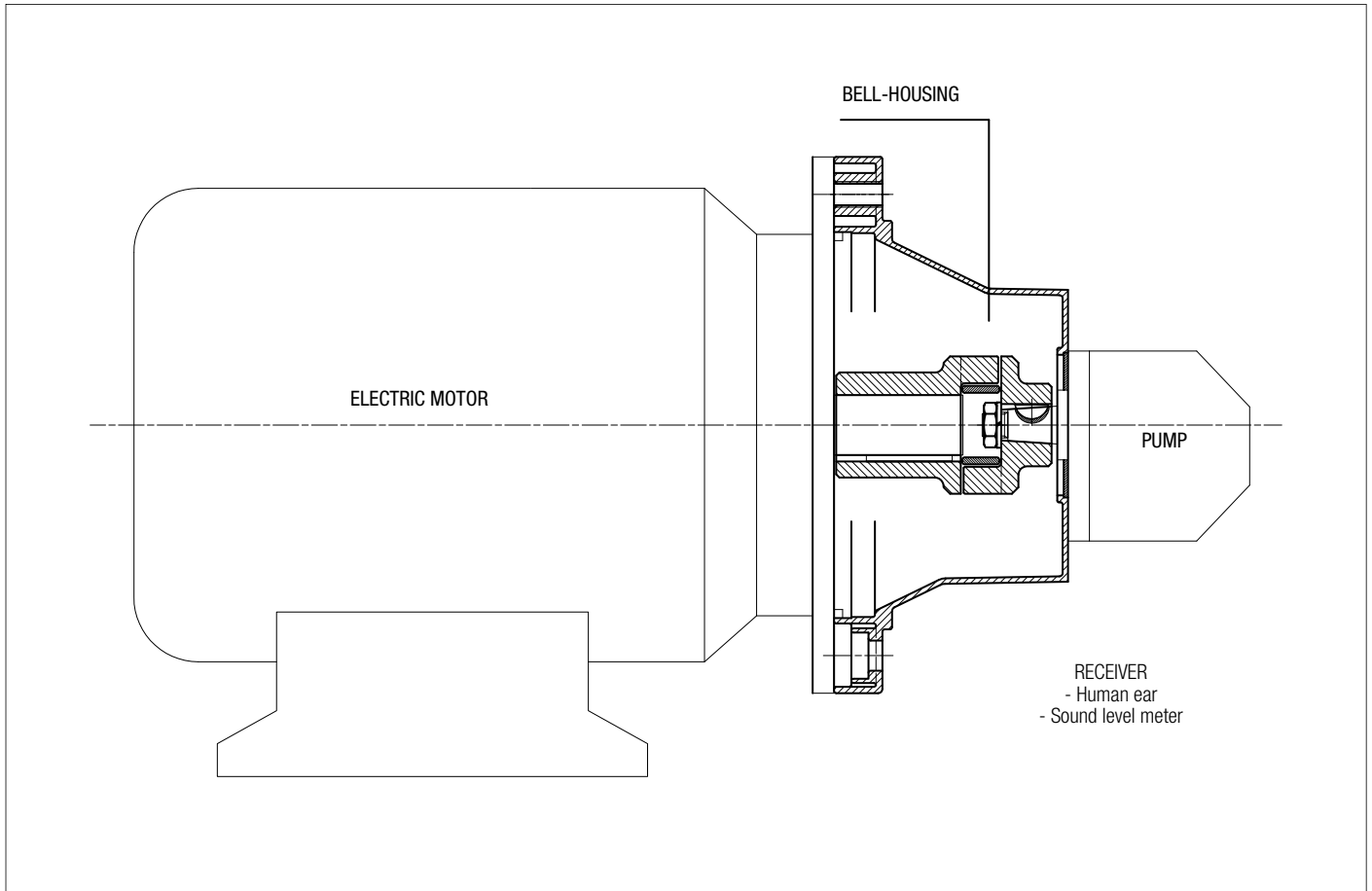
② SOUND

Technically considered, certain elements must be present simultaneously for acoustic phenomena to occur:

- Sound source
- Transmission medium
- Receive

The electric motor and the pump, together with the drive coupling, are the SOURCE OF THE NOISE. The Bell-housing is the noise transmission MEDIUM. Depending on whether the monobloc bell-housing is a rigid or low noise type, there will be variations in the flexible properties of the transmission medium. The acoustic phenomena are dissimilar in the two cases, given the differences in pressure variation and particle displacement.

MOTOR AND PUMP UNIT



Low noise bell-housing will help to attenuate the transmission of vibrations and the emission of noise generated by the system.

Self-evidently, however, the mere adoption of a low noise bell-housing will achieve little unless the motor and pump are correctly installed on the machine or on the tank of the hydraulic power unit.

Should be followed in order to achieve best possible results and correct installation:

1 MOTOR AND PUMP UNIT MOUNTED HORIZONTALLY ON OIL TANK LID

- The suction pipe attached to the pump must be rigid and fitted using a resilient bulkhead flange of the FTA series, which helps to cushion the vibrations propagated between the pipe and the tank lid.
If pipes need to be bent, the radius of curvature must be at least 3 times the pipe diameter.
Do not use elbow fittings, as these will significantly increase pressure losses.
- The pressure pipeline of the pump must be flexible and long enough to include bends with the minimum radius of curvature recommended by the manufacturer for the specified operating pressure.
- The return pipeline running from the service to the filter must be flexible.
Where oil is returned directly to the tank of the hydraulic power unit through a rigid pipe, it is advisable to use a resilient bulkhead flange of the FTR series, which helps to cushion the vibrations propagated between the pipe and the tank lid.
- Anti-vibration devices (resilient mounts or damping rods) must be located under the feet of the electric motor or the PDM foot brackets, depending on the mounting position of the motor.
- The lids of hydraulic oil tanks must be sturdy enough to support the load they carry.

2 MOTOR AND PUMP UNIT MOUNTED HORIZONTALLY ON MACHINE

- As a matter of good practice, the oil tank and motor-pump unit should be mounted on a single supporting frame of strength sufficient to support the load.
- If the hydraulic system is fitted with a side-mounted filter, the suction pipeline to the pump must be flexible and long enough to include bends with the minimum radius of curvature recommended by the manufacturer.
- If the suction filter is not side mounted, the pipeline should be rigid and installed in conjunction with a compensating coupling.
- The pressure pipeline of the pump must be flexible, and long enough to include bends with the minimum radius of curvature recommended by the manufacturer for the specified operating pressure.
- The return pipeline running from the service to the filter must be flexible.
Where oil is returned directly to the tank of the hydraulic power unit through a rigid pipe, it is advisable to use a resilient bulkhead flange of the FTR series, which helps to cushion the vibrations propagated between the pipe and the tank lid.
- Anti-vibration devices (resilient mounts or damping rods) must be located under the feet of the electric motor or the PDM foot brackets, depending on the mounting position of the motor.

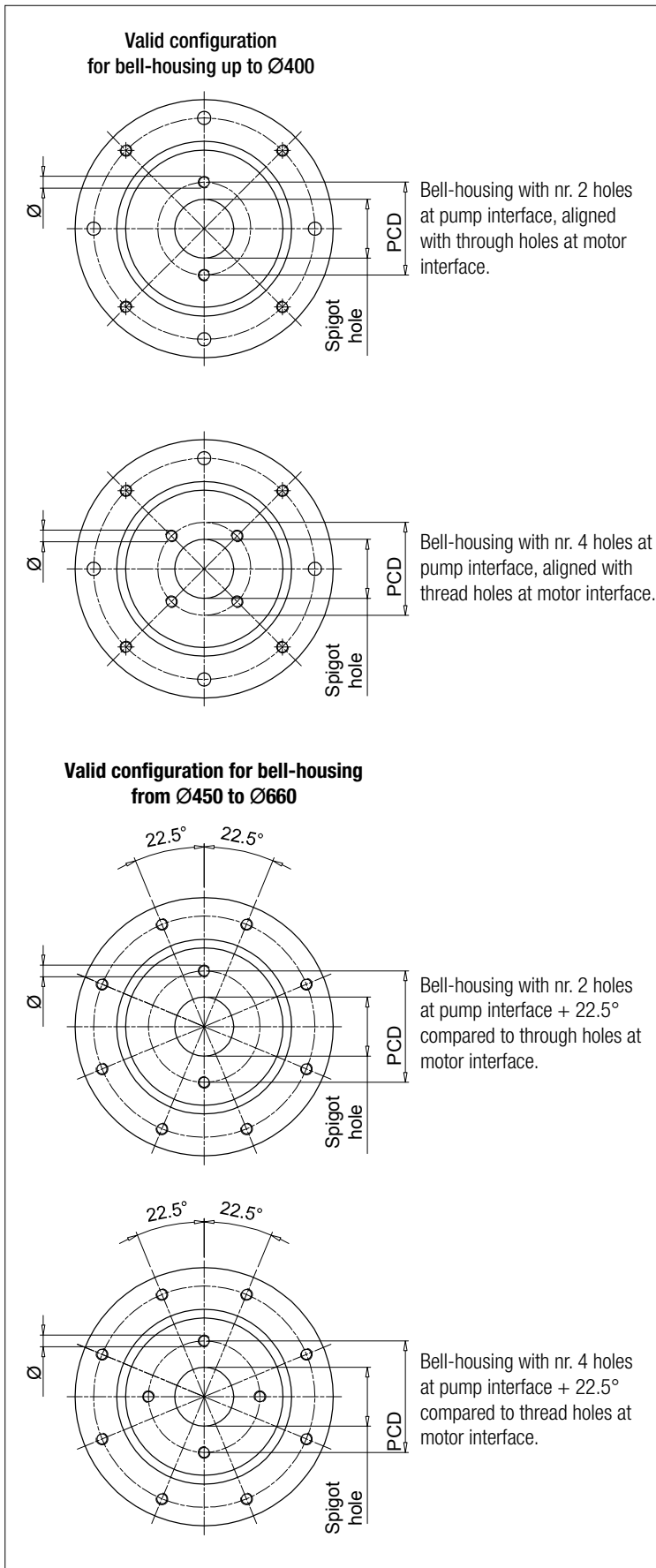
FINAL CONSIDERATION

For best results, in any event, the motor-and-pump unit should be incorporated into the hydraulic system in such a way that no one component is rigidly associated with another, resulting in the propagation of vibration, and consequently noise.

RECOMMENDED TIGHTENING TORQUES FOR MOTOR/PUMP FIXING ON THE BELL-HOUSING

M6	10 N·m	M16	205 N·m
M8	15 N·m	M18	280 N·m
M10	50 N·m	M20	400 N·m
M12	84 N·m	M22	530 N·m
M14	135 N·m	M24	690 N·m

Note: The above guidelines are indicative only and subordinate to the solutions adopted ultimately by design engineers.



Spigot hole [mm]	PCD	Ø	Nr. holes	Code	Type
40	72.00	M8	2	191	-
45.2	88.90	M8	4	096	-
	71.80	M8	4	120	-
50	80.00	M8	2	052	ISO3019-2-50-B2
	93.00	M10	2	053	-
	60.00	M5	4	280	-
	63.00	Ø7	4	057	-
50.8	93.00	M8	2	287	-
	82.50	M8	2	050	SAE A-A 50-2
56	76.00	M6	4	234	-
57.15	106.40	Ø11	2	212	-
60	74.00	M10	4	098	-
	98.50	M6	4	147	-
62.7	75.00	M6	4	227	-
	157.20	M12	4	231	-
63	100.00	M8	2	042	ISO3019-2-63-B2
	125.00	M6	4	043	-
	85.00	M8	4	044	-
	80.00	M8	2	051	-
	80.00	Ø8.5	4	058	-
	100.00	M10	2	062	-
	82.00	M8	4	168	ISO3019-2-63-B4
	90.00	M8	4	271	-
65	90.00	M8	4	073	-
70	84.00	Ø7	4	289	-
71.8	88.90	M10	4	047	-
75	102.00	M10	4	139	-
	100.00	M8	4	024	ISO3019-2-80-B4
	103.20	M8	2	045	ISO3019-2-80-B2
	100.00	Ø11	4	059	-
	100.00	M10	2	061	-
	110.00	M10	2	063	-
	140.00	M10	2	064	-
	115.00	M10	2	065	-
	100.00	M10	4	067	-
	106.40	M10	2	083	-
	130.00	M8	4	087	-
	100.00	Ø8.5	4	093	-
80	113.00	M12	4	104	-
	95.00	M8	4	169	-
	103.00	M8	4	242	-
	110.00	M10	4	272	-
	106.40	M10	2	060	SAE A 82-2
	105.00	M10	4	097	-
	106.40	M8	2	254	-
	146.00	M12	2	260	-
	110.00	M10	2	284	-
	110.00	M10	2	066	-
85	112.00	M8	2	134	-
	105.00	M8	4	156	-
	118.00	Ø9	2	163	-
90	112.00	Ø9	2	164	-
	140.00	M8	4	088	-
92	145.00	M10	4	089	-

"-": configuration out of ISO & SAE Standard

Spigot hole [mm]	PCD	Ø	Nr. holes	Code	Type
95	115.00	M8	4	137	-
	127.00	M10	4	131	-
98.4	125.00	Ø11	4	128	-
100	125.00	M10	2	023	ISO3019-2-100-B4
	125.00	M10	4	025	ISO3019-2-100-B2
	125.00	Ø11	4	031	-
	125.00	M5	4	032	-
	190.00	Ø15	4	038	-
	125.00	Ø13	4	041	-
	125.00	M12	2	071	-
	140.00	M12	2	072	-
	146.00	M12	2	075	-
	126.00	M10	2	106	-
	120.00	M8	4	122	-
	160.00	M10	4	141	-
150.00	M10	4	150	-	
101.6	161.50	M12	4	029	-
	146.00	M12	2	070	SAE B 101-2
	127.00	M12	4	125	-
	146.00	M10	2	159	-
105	127.00	M10	4	224	-
	146.00	M12	2	076	-
110	175.00	M10	4	110	-
	130.00	M8	4	154	-
	200.00	M10	4	202	-
	135.00	M10	4	219	-
	145.00	M12	4	273	-
112	140.00	M12	2	074	-
	140.00	M10	2	138	-
	130.00	M10	4	264	-
115	180.00	M12	4	198	-
116	160.00	M14	2	084	-
120	210.00	M16	2	094	-
	145.00	M10	4	155	-
	150.00	Ø13	4	267	-
125	160.00	M12	4	026	ISO3019-2-125-B4
	160.00	Ø13	4	033	-
	160.00	M12	2	079	-
	180.00	M16	2	082	ISO3019-2-125-B2
	155.00	M10	4	102	-
	160.00	Ø17	4	113	-
	200.00	M12	4	114	-
	181.20	M16	2	136	-
	200.00	M16	4	200	-
	180.00	Ø20	4	215	-
	170.00	Ø18	4	237	-
127	161.50	M12	4	021	-
	181.20	M16	2	080	SAE C 127-2
	161.50	M14	4	140	-
130	165.00	Ø11	4	054	-
	150.00	M12	4	068	-
	181.20	M16	2	085	-
	165.00	M12	4	124	-
	165.00	M14	4	135	-

"-": configuration out of ISO & SAE Standard

Spigot hole [mm]	PCD	Ø	Nr. holes	Code	Type
130	165.00	M10	4	253	-
135	160.00	M10	4	151	-
	175.40	M12	4	220	-
140	180.00	M14	4	077	ISO3019-2-140-B4
	180.00	M12	2	081	-
	165.00	M10	4	157	-
	200.00	M16	4	176	ISO3019-2-140-B2
	165.00	Ø11	4	223	-
	180.00	M16	2	232	-
150	185.00	M16	4	069	-
152.4	228.60	M16	4	022	-
	228.60	M18	2	090	-
	228.60	M18	4	108	-
	217.50	Ø17	4	118	-
	228.60	M20	2	166	SAE D 152-2
	228.60	M20	4	192	SAE D 152 -4
	190.50	M8	4	207	-
160	200.00	M16	4	027	ISO3019 - 2 -160 B4
	200.00	Ø17	4	035	-
	200.00	M16	2	091	-
	224.00	M20	2	092	ISO3019 - 2 -160 B2
	200.00	M12	2	107	-
	230.00	M22	4	111	-
	185.00	M12	4	152	-
	224.00	M16	4	184	-
230.00	Ø22	4	228	-	
162	188.00	M12	4	263	-
165.1	317.35	M20	4	143	SAE E 165 - 4
	317.35	M24	2	145	SAE E 165 - 2
	229.00	M20	4	201	-
175	317.35	M18	4	204	-
	200.00	M12	4	153	-
177.8	230.00	M18	2	185	-
	350.00	M24	4	146	SAE F 177 - 4
	216.00	M12	4	222	-
180	350.00	M24	2	203	SAE F 177 - 2
	216.00	Ø13	4	055	-
	216.00	M16	4	078	-
	224.00	M16	4	112	ISO3019 - 2 -180 B4
	216.00	M12	4	132	-
	215.00	M22	4	148	-
	230.00	M22	4	226	-
	250.00	M20	4	028	ISO3019 - 2 -200 B4
250.00	Ø22	4	095	-	
200	280.00	M24	2	117	-
	230.50	M12	4	214	-
203.2	254.00	M14	4	210	-
205	240.00	M16	4	133	-
224	280.00	M20	4	144	ISO3019 - 2 -224 B4
	280.00	Ø22	4	205	-
250	310.00	M24	4	238	-
	315.00	M20	4	282	ISO3019 - 2 -250 B4
275	355.00	M16	4	233	-
	355.00	Ø18	4	281	-

"-": configuration out of ISO & SAE Standard

LMG series

IEC electric motor range from size 63 up to size 225



Technical data

Bell-Housing - IEC electric motor range from size 63 up to size 225

Materials

- Bell-housing: Pressure die casting Aluminium
- Center ring: Galvanized Steel
- Gasket: Special paper - Guarnital

Compatibility with fluids

Modular bell-housing components compatible for use with:

- Mineral oils types HH-HL-HM-HR-HV, to ISO 6743/4 standard
- Water based emulsions types HFAE-HFAS, to ISO 6743/4 standard
- Water glycol type HFC, to ISO 6743/4 standard: ask for anodized version

Special Applications

Any applications not covered by the normal indications contained in this catalogue must be evaluated and approved by MP Filtri Technical and Sales Department

Temperature

From -30 °C to +80 °C

Note

For temperatures outside this range, contact MP Filtri Technical and Sales Department



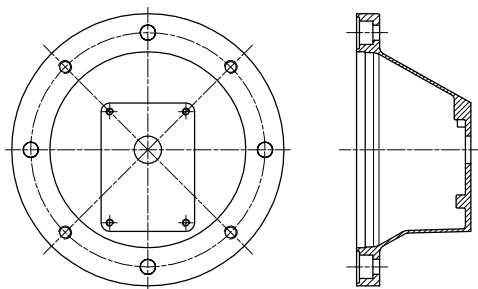
IEC Electric motors

Bell-Housing size	European standard size						German standard size			IEC Motors size
	0.5	1	2	3	3.5	4	ZB	ZF	ZG	
LMG140	●	●	●				●			IEC 63 Ø140 - Ø11x23
LMG160	●	●	●				●			IEC 71 Ø160 - Ø14x30
LMG200	●	●	●	●			●	●		IEC 80 Ø200 - Ø19x40
LMG200	●	●	●	●			●	●		IEC 90 Ø200 - Ø24x50
LMG250		●	●	●	●		●	●		IEC 110 Ø250 - Ø28x60
LMG250		●	●	●	●		●	●		IEC 112 Ø250 - Ø28x60
LMG300		●	●	●	●	●	●	●	●	IEC 132 Ø300 - Ø38x80
LMG351			●	●	●	●	●	●	●	IEC 160 Ø350 - Ø42x110
LMG351			●	●	●	●	●	●	●	IEC 180 Ø350 - Ø48x110
LMG400			●	●	●	●	●	●	●	IEC 200 Ø400 - Ø55x110
LMG450			●	●	●	●	●	●	●	IEC 225 Ø450 - Ø60x140

Note: For specific information see pages 70 ÷ 72 "Table of Combination"

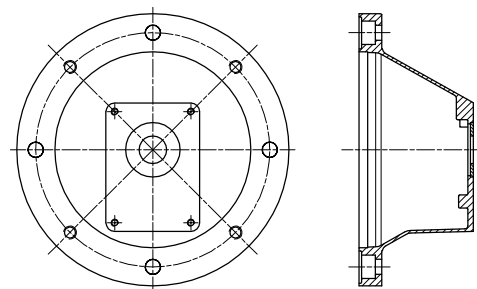
LMG * 4S**

Without centre ring allowing removal of half-coupling (which as a rule is keyed permanently to the pump shaft); motor mounting flange drilled with 4 clearance holes + 4 threaded holes. Used normally for vertically mounted motor and pump units with pump submerged in the oil tank.



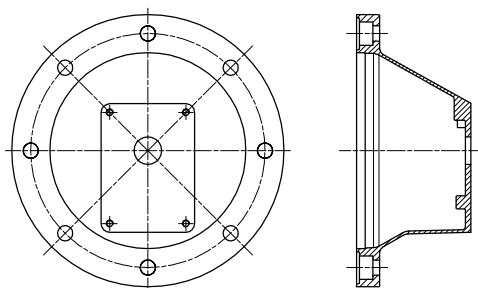
LMG * 4E**

With centre ring allowing removal of half-coupling (which as a rule is keyed permanently to the pump shaft), motor mounting flange drilled with 4 clearance holes + 4 threaded holes. Normally used for motor and pump units mounted horizontally on the tank lid or on the machine for maximum ease of maintenance. With this type of mounting, in effect, the hydraulic pump can be removed without removing the motor. The half-coupling mounted to the shaft passes through the spigot hole.



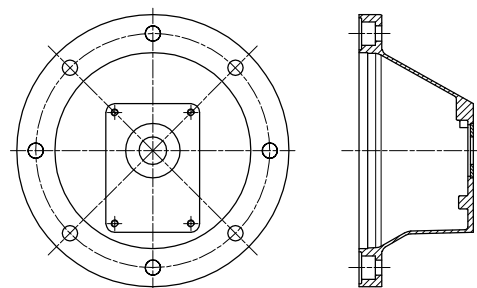
LMG * 8S**

Without centre ring allowing removal of half-coupling (which as a rule is keyed permanently to the pump shaft), motor mounting flange drilled with 8 clearance holes. Used normally for vertically mounted motor and pump units with pump submerged in the oil tank, allows greater flexibility for directional positioning of the hydraulic pump inside the tank, according to constructional requirements.



LMG * 8E**

With centre ring allowing removal of half-coupling (which as a rule is keyed permanently to the pump shaft), motor mounting flange drilled with 8 clearance holes. Normally used for motor and pump units mounted horizontally on the tank lid or on the machine, offers maximum ease of maintenance and enables directional positioning of the pump. With this type of mounting, in effect, the hydraulic pump can be removed without removing the motor. The half-coupling mounted to the shaft passes through the spigot hole.



Designation & Ordering code

COMPLETE KIT (BELL-HOUSING & COUPLINGS)

Motors identification code				Configuration example: AKA02 FS200 Z 4E			
Size		Size		Size			
02	63 B3-B5	13	180 B3-B5	44	71 B14		
03	71 B3-B5	16	200 B3-B5	45	80 B14		
04	80 B3-B5	18	225 B3-B5	46	90 B14		
05	90 B3-B5	20	250 B3-B5	48	100/112 B14		
07	100/112 B3-B5	22	280 B3-B5				
11	132 B3-B5	26	315 B3-B5				
12	160 B3-B5	43	63 B14				

Pump flange identification code
FS200 See page 67

Product revision code
Z

Versions

4S	4 through holes + 4 threaded holes, motor interface without coupling removal ring
4E	4 through holes + 4 threaded holes, motor interface with coupling removal ring
8S	8 through holes, motor interface without coupling removal ring
8E	8 through holes, motor interface with coupling removal ring

BELL-HOUSING LMG

Bell-Housing series and size				Configuration example: LMG140 M FS200 4E DI				
LMG140	LMG200	LMG300	LMG550					
LMG141	LMG201	LMG351	LMG660					
LMG160	LMG250	LMG400						
LMG161	LMG251	LMG450						

Product revision code
M

Pump flange identification code
FS200 See page 67

Versions

4S	4 through holes + 4 threaded holes, motor interface without coupling removal ring
4E	4 through holes + 4 threaded holes, motor interface with coupling removal ring
8S	8 through holes, motor interface without coupling removal ring
8E	8 through holes, motor interface with coupling removal ring

Options

DI	Drain hole + inspection hole
AN	Black anodized finish
SA	Motor interface with clearance holes
Pxx	Customer specification

COUPLING KIT

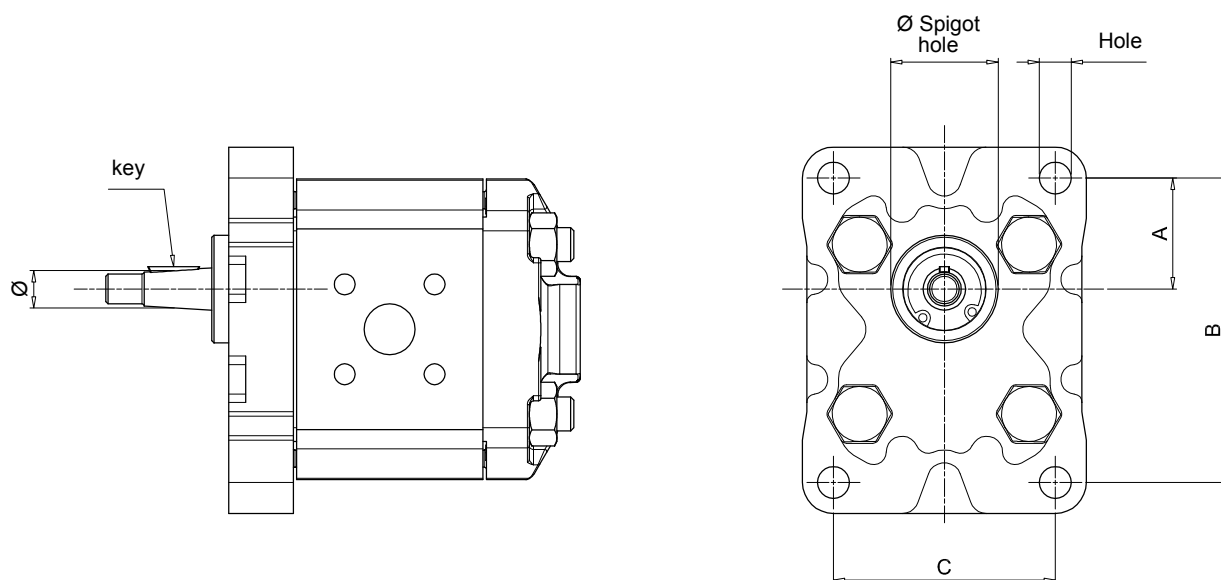
Motors identification code		Configuration example: AKG02 FS200 Z		
Size	Size			
02	63 B3-B5	13	180 B3-B5	
03	71 B3-B5	43	63 B14	
04	80 B3-B5	44	71 B14	
05	90 B3-B5	45	80 B14	
07	100/112 B3-B5	46	90 B14	
11	132 B3-B5	48	100/112 B14	
12	160 B3-B5			

Pumps flange identification code
FS200 See page 67

Product revision code
Z

Note:

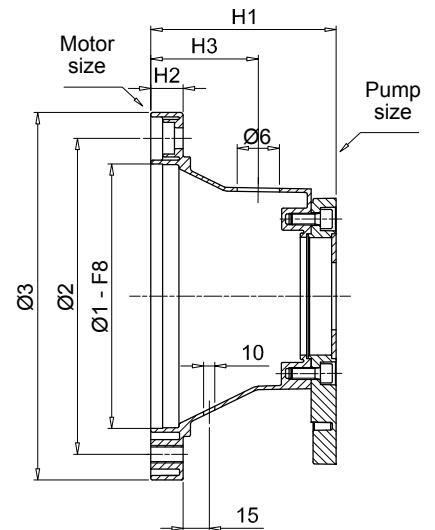
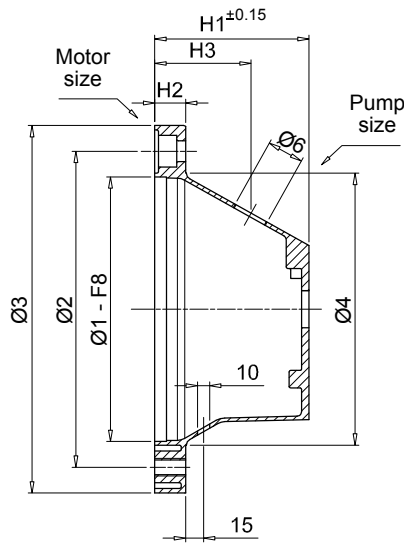
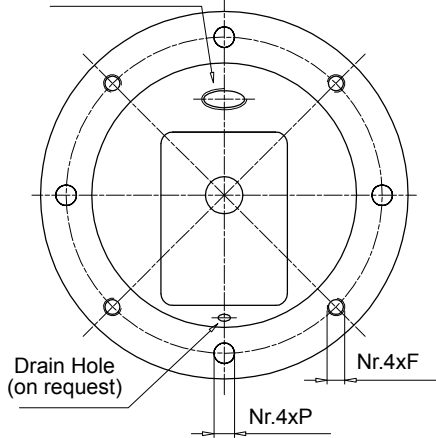
- Bell-Housings with DI options are supplied complete with threaded closure plug.
- Bell-Housing with 4E/8E version are supplied with center ring mounted.
- For product range codes see pages 70 ÷ 72



Designation of pump flange and shaft

Pump group	Ø Spigot hole	Dimensions				Pump flange code	Ø	Key	Shaft type	Pump half-coupling code
		A	B	C	Hole					
05	22.0	25.5	66.0	-	M6	FS05M	6.0	2.0	parallel	FS05M
	22.0	25.5	66.0	-	M6	FS05C	7.0	2.0	parallel	FS05C
1	25.4	26.2	72.0	52.0	M6	FS100	9.7	2.4	tapered 1:8	FS100
	30.0	24.5	73.0	56.0	M6	FS1M0	12.0	3.0	parallel	FS1C0
	30.0	24.5	73.0	56.0	M6	FS1M0	13.9	3.0	tapered 1:8	FS1M0
2	36.5	32.5	96.0	71.5	M8	FS200	17.2	3.2 - 4	tapered 1:8	FS200
	50.8	43.0	128.0	98.5	M8	FS25T	22.2	4.0	tapered 1:8	FS300
3	50.8	42.0	128.0	98.5	M10	FS300	22.2	4.0	tapered 1:8	FS300
	50.8	43.0	128.0	98.5	M10	FS3M0	22.2	4.0	tapered 1:8	FS300
	50.8	45.0	137.0	98.5	M10	FS3T0	22.2	4.0	tapered 1:8	FS300
	60.0	48.5	148.0	127.0	M12	FS35M	25.6	4.76 - 5.0	tapered 1:8	FS350
3.5	60.3	49.5	149.5	114.3	M10	FS350	25.6	4.76 - 5.0	tapered 1:8	FS350
	63.5	65.0	196.0	142.8	M12	FS4M0	33.3	6.35 - 7.0	tapered 1:8	FS400
4	63.5	64.3	188.0	143.0	M12	FS400	33.3	6.35 - 7.0	tapered 1:8	FS400
	32.0	10.3	40.0	40.0	M8	FSZBR	9.8	2.0	tapered 1:5	FSZBR
Bosch	80.0	34.5	100.0	72.0	M8	FSZFR	16.9	3.0	tapered 1:5	FSZFR
	105.0	48.0	145.0	102.0	M10	FSZGR	25.2	5.0	tapered 1:5	FSZGR

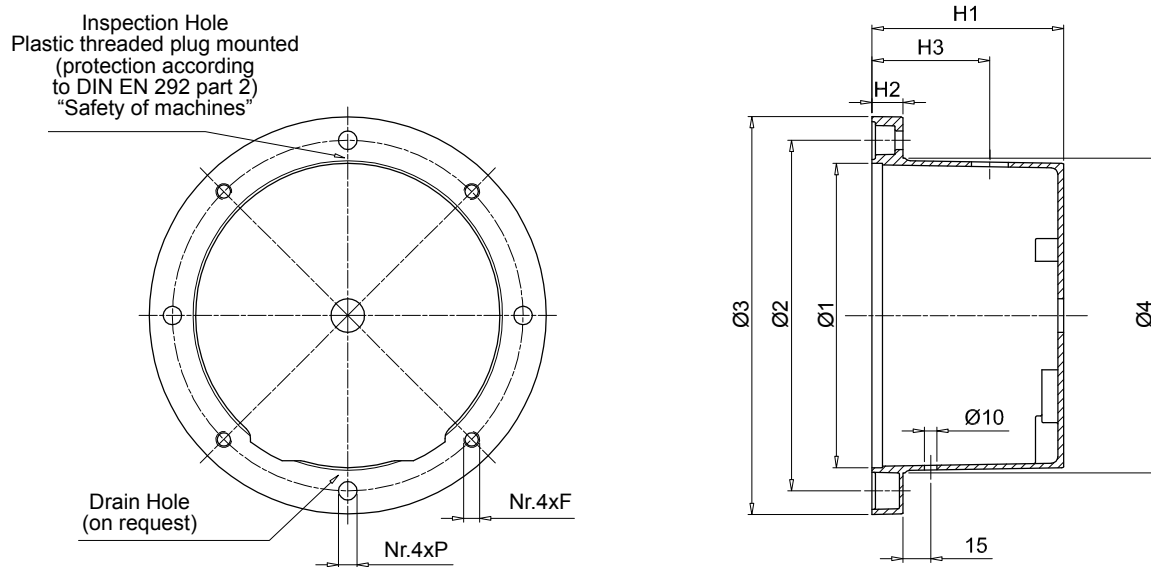
Inspection Hole
Plastic threaded plug mounted
(protection according
to DIN EN 292 part 2)
"Safety of machines"



(*) Shape valid for LMG 251

Bell-housing

IEC - Electric motors		Bell-housing code	Dimensions [mm]								On request		Weight [kg]
Motor size	Shaft end [Ø x L]		Ø1	Ø1	Ø3	Ø4	H1	H2	F	P	H3	Ø6	
63 - B14	11x23	LMG090	60	75	90	63	60	7	-	6	40	1/2"	0.30
71 - B14	14x30	LMG105	70	85	105	74	67	8	-	7	40	1/2"	0.35
80 - B14	19x40	LMG120	80	100	120	84	87	9	-	7	45	1/2"	0.40
63 - B3/B5	11x23	LMG140	95	115	140	100	60	13	M8	9	40	1/2"	0.35
63 - B3/B5	11x23	LMG141	95	115	140	100	95	13	M8	9	50	1/2"	0.40
71 - B3/B5	14x30	LMG160	110	130	160	110	70	15	M8	9	40	1/2"	0.44
71 - B3/B5	14x30	LMG161	110	130	160	110	105	15	M8	9	50	1/2"	0.50
80 - B3/B5	19x40	LMG200	130	165	200	135	87	18	M10	11	45	3/4"	0.68
90 - B3/B5	24x50	LMG201	130	165	200	135	95	18	M10	11	50	3/4"	0.80
100-112 - B3/B5	28x60	LMG250	180	215	250	185	105	22	M12	14	70	3/4"	1.16
100-112 - B3/B5	28x60	LMG251 (*)	180	215	250	185	126	22	M12	14	70	3/4"	1.80



Bell-housing

IEC - Electric motors		Bell-housing code	Dimensions [mm]								On request		Weight [kg]
Motor size	Shaft end [Ø x L]		Ø1	Ø2	Ø3	Ø4	H1	H2	F	P	H3	Ø6	
132	38x80	LMG300	230	265	300	235	145	23	M12	14	80	1"	2.55
160	42x110	LMG351	250	300	350	255	178	31	M16	18	100	1"	4.90
180	48x110	LMG351	250	300	350	255	178	31	M16	18	100	1"	4.90

IEC Motors B3/5 - standard gear pump

IEC - Electric motors Motor size	Shaft end [Ø x L]	Pump identification code	Components					
			Bell-Housing code	Motor half-coupling code	Spider code	Pump half-coupling code	Complete kit code	Complete coupling kit code
63	11x23	FS05M	LMG140MFS05M4S	SGEA01M01019	EGE 0	SGEA01FS05M	AKA02FS05MZ4S	AKG02FS05MZ
		FS05C	LMG140MFS05M4S			SGEA01FS05C	AKA02FS05CZ4S	AKG02FS05CZ
		FS100	LMG140MFS1004S/4E			SGEA01FS100	AKA02FS100Z4S/4E	AKG02FS100Z
		FS1C0	LMG140MFS1M04S/4E			SGEA01FS1C0	AKA02FS1C0Z4S/4E	AKG02FS1C0Z
		FS1M0	LMG140MFS1M04S/4E			SGEA01FS1M0	AKA02FS1M0Z4S/4E	AKG02FS1M0Z
		FSZBR	LMG140MFSZBR4S			SGEA01FSZBR	AKA02FSZBRZ4S	AKG02FSZBRZ
71	14x30	FS05M	LMG160MFS05M4S	SGEA01M02028	EGE 0	SGEA01FS05M	AKA03FS05MZ4S	AKG03FS05MZ
		FS05C	LMG160MFS05M4S			SGEA01FS05C	AKA03FS05CZ4S	AKG03FS05CZ
		FS100	LMG160MFS1004S/4E			SGEA01FS100	AKA03FS100Z4S/4E	AKG03FS100Z
		FS1C0	LMG160MFS1M04S/4E			SGEA01FS1C0	AKA03FS1C0Z4S/4E	AKG03FS1C0Z
		FS1M0	LMG160MFS1M04S/4E			SGEA01FS1M0	AKA03FS1M0Z4S/4E	AKG03FS1M0Z
		FSZBR	LMG160MFSZBR4S			SGEA01FSZBR	AKA03FSZBRZ4S	AKG03FSZBRZ
80	19x40	FS05M	LMG200MFS05M4S	SGEA01M03048	EGE 0	SGEA01FS05M	AKA04FS05MZ4S	AKG04FS05MZ
		FS05C	LMG200MFS05M4S			SGEA01FS05C	AKA04FS05CZ4S	AKG04FS05CZ
		FS100	LMG200MFS1004S/4E			SGEA01FS100	AKA04FS100Z4S/4E	AKG04FS100Z
		FS1C0	LMG200MFS1M04S/4E			SGEA01FS1C0	AKA04FS1C0Z4S/4E	AKG04FS1C0Z
		FS1M0	LMG200MFS1M04S/4E			SGEA01FS1M0	AKA04FS1M0Z4S/4E	AKG04FS1M0Z
		FSZBR	LMG200MFSZBR4S			SGEA01FSZBR	AKA04FSZBRZ4S	AKG04FSZBRZ
		FS200	LMG201MFS2004S/4E	SGEA21M03048	EGE 2	SGEA21FS200	AKA04FS200Z4S/4E	AKG04FS200Z
		FSZFR	LMG201MFSZFR4S			SGEA21FSZFR	AKA04FSZFRZ4S	AKG04FSZFRZ
90	24x50	FS05M	LMG200MFS05M4S	SGEA01M04048	EGE 0	SGEA01FS05M	AKA05FS05MZ4S	AKG05FS05MZ
		FS05C	LMG200MFS05M4S			SGEA01FS05C	AKA05FS05CZ4S	AKG05FS05CZ
		FS100	LMG200MFS1004S/4E			SGEA01FS100	AKA05FS100Z4S/4E	AKG05FS100Z
		FS1C0	LMG200MFS1M04S/4E			SGEA01FS1C0	AKA05FS1C0Z4S/4E	AKG05FS1C0Z
		FS1M0	LMG200MFS1M04S/4E			SGEA01FS1M0	AKA05FS1M0Z4S/4E	AKG05FS1M0Z
		FSZBR	LMG200MFSZBR4S			SGEA01FSZBR	AKA05FSZBRZ4S	AKG05FSZBRZ
		FS200	LMG201MFS2004S/4E	SGEA21M04048	EGE 2	SGEA21FS200	AKA05FS200Z4S/4E	AKG05FS200Z
		FSZFR	LMG201MFSZFR4S			SGEA21FSZFR	AKA05FSZFRZ4S	AKG05FSZFRZ
100 112	28x60	FS100	LMG250MFS1004S	SGEA21M05055	EGE 2	SGEA21FS100	AKA07FS100Z4S	AKG07FS100Z
		FS1C0	LMG250MFS1M04S			SGEA21FS1C0	AKA07FS1C0Z4S	AKG07FS1C0Z
		FS1M0	LMG250MFS1M04S			SGEA21FS1M0	AKA07FS1M0Z4S	AKG07FS1M0Z
		FSZBR	LMG250MFSZBR4S			SGEA21FSZBR	AKA07FSZBRZ4S	AKG07FSZBRZ
		FS200	LMG250MFS2004S/4E			SGEA21FS200	AKA07FS200Z4S/4E	AKG07FS200Z
		FSZFR	LMG250MFSZFR4S			SGEA21FSZFR	AKA07FSZFRZ4S	AKG07FSZFRZ
		FS25T	LMG251MFS25T4E			SGEA21FS300	AKA07FS25TZ4E	AKG07FS300Z
		FS300	LMG251MFS3004E			SGEA21FS300	AKA07FS300Z4E	AKG07FS300Z
		FS3M0	LMG251MFS3M04E			SGEA21FS300	AKA07FS3M0Z4E	AKG07FS300Z
FS3T0	LMG251MFS3T04E	SGEA21FS300	AKA07FS3T0Z4E	AKG07FS300Z				
132	38x80	FS100	LMG300MFS1004S	SGEA31M06077	EGE 3	SGEA31FS100	AKA11FS100Z4S	AKG11FS100Z
		FS1C0	LMG300MFS1M04S			SGEA31FS1C0	AKA11FS1C0Z4S	AKG11FS1C0Z
		FS1M0	LMG300MFS1M04S			SGEA31FS1M0	AKA11FS1M0Z4S	AKG11FS1M0Z
		FSZGR	LMG300MFSZGR4S			SGEA31FSZGR	AKA11FSZGRZ4S	AKG11FSZGRZ
		FS200	LMG300MFS2004S/4E			SGEA31FS200	AKA11FS200Z4S/4E	AKG11FS200Z
		FSZFR	LMG300MFSZFR4S			SGEA31FSZFR	AKA11FSZFRZ4S	AKG11FSZFRZ
		FS25T	LMG300MFS25T4S/4E			SGEA31FS300	AKA11FS25TZ4S/4E	AKG11FS300Z
		FS300	LMG300MFS3004S/4E			SGEA31FS300	AKA11FS300Z4S/4E	AKG11FS300Z
		FS3M0	LMG300MFS3M04S/4E			SGEA31FS300	AKA11FS3M0Z4S/4E	AKG11FS300Z
		FS3T0	LMG300MFS3T04S/4E			SGEA31FS300	AKA11FS3T0Z4S/4E	AKG11FS300Z
		FS35M	LMG300MFS35M4S/4E			SGEA31FS350	AKA11FS35MZ4S/4E	AKG11FS350Z
		FS350	LMG300MFS3504S/4E			SGEA31FS350	AKA11FS350Z4S/4E	AKG11FS350Z

Note:

- For bell-housing dimensions see pages 68-69.
- For coupling dimensions see "Half-couplings" section on pages 30-31.

IEC Motors B3/5 - standard gear pump

IEC - Electric motors		Pump identification code	Components					
Motor size	Shaft end [Ø x L]		Bell-Housing code	Motor half-coupling code	Spider code	Pump half-coupling code	Complete kit code	Complete coupling kit code
160	42x110	FSZGR	LMG351MFSZGR4S	SGEA51M07109	EGE 5	SGEA51FSZGR	AKA12FSZGRZ4S	AKG12FSZGRZ
		FS200	LMG351MFS2004S			SGEA51FS200	AKA12FS200Z4S	AKG12FS200Z
		FSZFR	LMG351MFSZFR4S			SGEA51FSZFR	AKA12FSZFRZ4S	AKG12FSZFRZ
		FS25T	LMG351MFS25T4S/4E			SGEA51FS300	AKA12FS25TZ4S/4E	AKG12FS300Z
		FS300	LMG351MFS3004S/4E			SGEA51FS300	AKA12FS300Z4S/4E	AKG12FS300Z
		FS3M0	LMG351MFS3M04S/4E			SGEA51FS300	AKA12FS3M0Z4S/4E	AKG12FS300Z
		FS3T0	LMG351MFS3T04S/4E			SGEA51FS300	AKA12FS3T0Z4S/4E	AKG12FS300Z
		FS35M	LMG351MFS35M4S/4E			SGEA51FS350	AKA12FS35MZ4S/4E	AKG12FS350Z
		FS350	LMG351MFS3504S/4E			SGEA51FS350	AKA12FS350Z4S/4E	AKG12FS350Z
180	48x110	FSZGR	LMG351MFSZGR4S	SGEA51M08109	EGE 5	SGEA51FSZGR	AKA13FSZGRZ4S	AKG13FSZGRZ
		FS200	LMG351MFS2004S			SGEA51FS200	AKA13FS200Z4S	AKG13FS200Z
		FSZFR	LMG351MFSZFR4S			SGEA51FSZFR	AKA13FSZFRZ4S	AKG13FSZFRZ
		FS25T	LMG351MFS25T4S/4E			SGEA51FS300	AKA13FS25TZ4S/4E	AKG13FS300Z
		FS300	LMG351MFS3004S/4E			SGEA51FS300	AKA13FS300Z4S/4E	AKG13FS300Z
		FS3M0	LMG351MFS3M04S/4E			SGEA51FS300	AKA13FS3M0Z4S/4E	AKG13FS300Z
		FS3T0	LMG351MFS3T04S/4E			SGEA51FS300	AKA13FS3T0Z4S/4E	AKG13FS300Z
		FS35M	LMG351MFS35M4S/4E			SGEA51FS350	AKA13FS35MZ4S/4E	AKG13FS350Z
		FS350	LMG351MFS3504S/4E			SGEA51FS350	AKA13FS350Z4S/4E	AKG13FS350Z
200	55x110	FS200	LMG400MFS2004E	SGEA51M09109	EGE 5	SGEA51FS200	AKA16FS200Z4S	AKG16FS200Z
		FS300	LMG400MFS3004E			SGEA51FS300	AKA16FS300Z4E	AKG16FS300Z
		FS3M0	LMG400MFS3M04E			SGEA51FS300	AKA16FS3M0Z4E	AKG16FS300Z
		FS35M	LMG400MFS35M4E			SGEA51FS350	AKA16FS35MZ4E	AKG16FS350Z
		FS350	LMG400MFS3504E			SGEA51FS350	AKA16FS350Z4E	AKG16FS350Z
		FSZFR	LMG400MFSZFR4S			SGEA51FSZFR	AKA16FSZFRZ4E	AKG16FSZFRZ
		FSZGR	LMG400MFSZGR4S			SGEA51FSZGR	AKA16FSZGRZ4E	AKG16FSZGRZ
225	60x140	FS300	LMG450MFS3004E	SGEG60M10110	EGE 6	SGEG60FS300	AKA18FS300Z4E	AKG18FS300Z
		FS3M0	LMG450MFS3M04E			SGEG60FS300	AKA18FS3M0Z4E	AKG18FS300Z
		FS35M	LMG450MFS35M4E			SGEG60FS350	AKA18FS35MZ4E	AKG18FS350Z
		FS350	LMG450MFS3504E			SGEG60FS350	AKA18FS350Z4E	AKG18FS350Z
		FSZGR	LMG450MFSZGR4S			SGEG60FSZGR	AKA18FSZGRZ4E	AKG18FSZGRZ
250	65x140	FS300	LMG550MFS3004E	SGEG60M11140	EGE 6	SGEG60FS300	AKA20FS300Z4E	AKG20FS300Z
		FS3M0	LMG550MFS3M04E			SGEG60FS300	AKA20FS3M0Z4E	AKG20FS300Z
		FS35M	LMG550MFS35M4E			SGEG60FS350	AKA20FS35MZ4E	AKG20FS350Z
		FS350	LMG550MFS3504E			SGEG60FS350	AKA20FS350Z4E	AKG20FS350Z
		FSZGR	LMG550MFSZGR4S			SGEG60FSZGR	AKA20FSZGRZ4E	AKG20FSZGRZ
280	75x140	FS300	LMG550MFS3004E	SGEG80M12140	EGE 8	SGEG80FS300	AKA22FS300Z4E	AKG22FS300Z
		FS3M0	LMG550MFS3M04E			SGEG80FS300	AKA22FS3M0Z4E	AKG22FS300Z
		FS35M	LMG550MFS35M4E			SGEG80FS350	AKA22FS35MZ4E	AKG22FS350Z
		FS350	LMG550MFS3504E			SGEG80FS350	AKA22FS350Z4E	AKG22FS350Z
		FSZGR	LMG550MFSZGR4S			SGEG80FSZGR	AKA22FSZGRZ4E	AKG22FSZGRZ
315	80x170	FS300	LMG660MFS3004E	SGEG80M13170	EGE 8	SGEG80FS300	AKA26FS300Z4E	AKG26FS300Z
		FS3M0	LMG660MFS3M04E			SGEG80FS300	AKA26FS3M0Z4E	AKG26FS300Z
		FS35M	LMG660MFS35M4E			SGEG80FS350	AKA26FS35MZ4E	AKG26FS350Z
		FS350	LMG660MFS3504E			SGEG80FS350	AKA26FS350Z4E	AKG26FS350Z
		FSZGR	LMG660MFSZGR4S			SGEG80FSZGR	AKA26FSZGRZ4E	AKG26FSZGRZ

Note:

- For bell-housing dimensions see pages 68-69.
- For coupling dimensions see "Half-couplings" section on pages 30-31.

IEC Electric motors B14 mounting

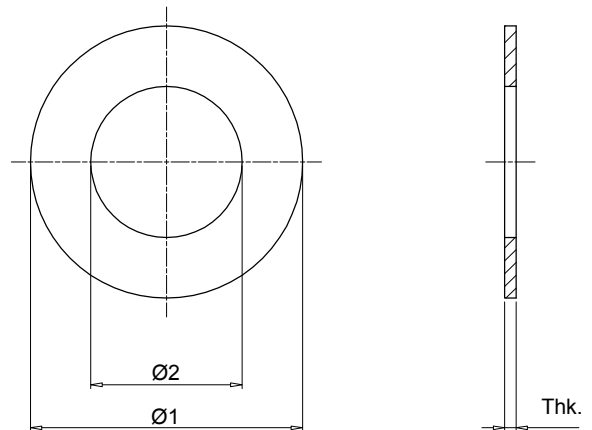
IEC - Electric motors		Pump identification code	Components							
Motor size	Shaft end [Ø x L]		Bell-Housing code	Motor half-coupling code	Spider code	Pump half-coupling code	Complete kit code	Complete coupling kit code		
63	11x23	FS05M	LMG090MFS05M4E	SGEA01M01019	EGE0	SGEA00FS05M	AKA43FS05MZ4E	AKG43FS05MZ		
		FS05C	LMG090MFS05M4E			SGEA01FS05C	AKA43FS05CZ4E	AKG43FS05CZ		
		FS100	LMG090MFS1004E			SGEA01FS100	AKA43FS100Z4E	AKG43FS100Z		
		FS1C0	LMG090MFS1M04E			SGEA01FS1C0	AKA43FS1C0Z4E	AKG43FS1C0Z		
		FS1M0	LMG090MFS1M04E			SGEA01FS1M0	AKA43FS1M0Z4E	AKG43FS1M0Z		
		FSZBR	LMG090MFSZBR4E			SGEA01FSZBR	AKA43FSZBRZ4E	AKG43FSZBRZ		
71	14x30	FS05M	LMG105MFS05M4E	SGEA01M02028	EGE 0	SGEA01FS05M	AKA44FS05MZ4E	AKG44FS05MZ		
		FS05C	LMG105MFS05M4E			SGEA01FS05C	AKA44FS05CZ4E	AKG44FS05CZ		
		FS100	LMG105MFS1004E			SGEA01FS100	AKA44FS100Z4E	AKG44FS100Z		
		FS1C0	LMG105MFS1C04E			SGEA01FS1C0	AKA44FS1C0Z4E	AKG44FS1C0Z		
		FS1M0	LMG105MFS1M04E			SGEA01FS1M0	AKA44FS1M0Z4E	AKG44FS1M0Z		
		FSZBR	LMG105MFSZBR4E			SGEA01FSZBR	AKA44FSZBRZ4E	AKG44FSZBRZ		
80	19x40	FS05M	LMG120MFS05M4E	SGEA01M03048	EGE 0	SGEA01FS05M	AKA45FS05MZ4E	AKG45FS05MZ		
		FS05C	LMG120MFS05M4E			SGEA01FS05C	AKA45FS05CZ4E	AKG45FS05CZ		
		FS100	LMG120MFS1004E			SGEA01FS100	AKA45FS100Z4E	AKG45FS100Z		
		FS1C0	LMG120MFS1M04E			SGEA01FS1C0	AKA45FS1C0Z4E	AKG45FS1C0Z		
		FS1M0	LMG120MFS1M04E			SGEA01FS1M0	AKA45FS1M0Z4E	AKG45FS1M0Z		
		FSZBR	LMG120MFSZBR4S			SGEA01FSZBR	AKA45FSZBRZ4E	AKG45FSZBRZ		
		FS200	LMG121MFS2004E	SGEA21M03048	EGE 2	SGEA21FS200	AKA45FS200Z4E	AKG45FS200Z		
		FSZFR	LMG121MFSZFR4S			SGEA21FSZFR	AKA45FSZFRZ4S	AKG45FSZFRZ		
90	24x50	FS05M	LMG141MFS05M4S	SGEA01M04048	EGE 0	SGEA01FS05M	AKA46FS05MZ4E	AKG46FS05MZ		
		FS05C	LMG141MFS05M4S			SGEA01FS05C	AKA46FS05CZ4E	AKG46FS05CZ		
		FS100	LMG141MFS1004S/4E			SGEA01FS100	AKA46FS100Z4E	AKG46FS100Z		
		FS1C0	LMG141MFS1M04S/4E			SGEA01FS1C0	AKA46FS1C0Z4E	AKG46FS1C0Z		
		FS1M0	LMG141MFS1M04S/4E			SGEA01FS1M0	AKA46FS1M0Z4E	AKG46FS1M0Z		
		FSZBR	LMG141MFSZBR4S			SGEA01FSZBR	AKA46FSZBRZ4E	AKG46FSZBRZ		
		FS200	LMG141MFS2004S/4E	SGEA21M04048	EGE 2	SGEA21FS200	AKA46FS200Z4E	AKG46FS200Z		
		FSZFR	LMG141MFSZFR4S			SGEA21FSZFR	AKA46FSZFRZ4S	AKG46FSZFRZ		
100 112	28x60	FS05M	LMG161MFS05M4S	SGEA21M05055	EGE 2	SGEA21FS05M	AKA48FS05MZ4E	AKG48FS05MZ		
		FS05C	LMG161MFS05M4S			SGEA21FS05C	AKA48FS05CZ4E	AKG48FS05CZ		
		FS100	LMG161MFS1004S			SGEA21FS100	AKA48FS100Z4E	AKG48FS100Z		
		FS1C0	LMG161MFS1M04S			SGEA21FS1C0	AKA48FS1C0Z4E	AKG48FS1C0Z		
		FS1M0	LMG161MFS1M04S			SGEA21FS1M0	AKA48FS1M0Z4E	AKG48FS1M0Z		
		FSZBR	LMG161MFSZBR4S			SGEA21FSZBR	AKA48FSZBRZ4E	AKG48FSZBRZ		
		FS200	LMG161MFS2004S/4E			SGEA21M05055	EGE 2	SGEA21FS200	AKA48FS200Z4E	AKG48FS200Z
		FSZFR	LMG161MFSZFR4S					SGEA21FSZFR	AKA48FSZFRZ4S	AKG48FSZFRZ

Note:

- For bell-housing dimensions see pages 68-69.
- For coupling dimensions see "Half-couplings" section on pages 30-31.

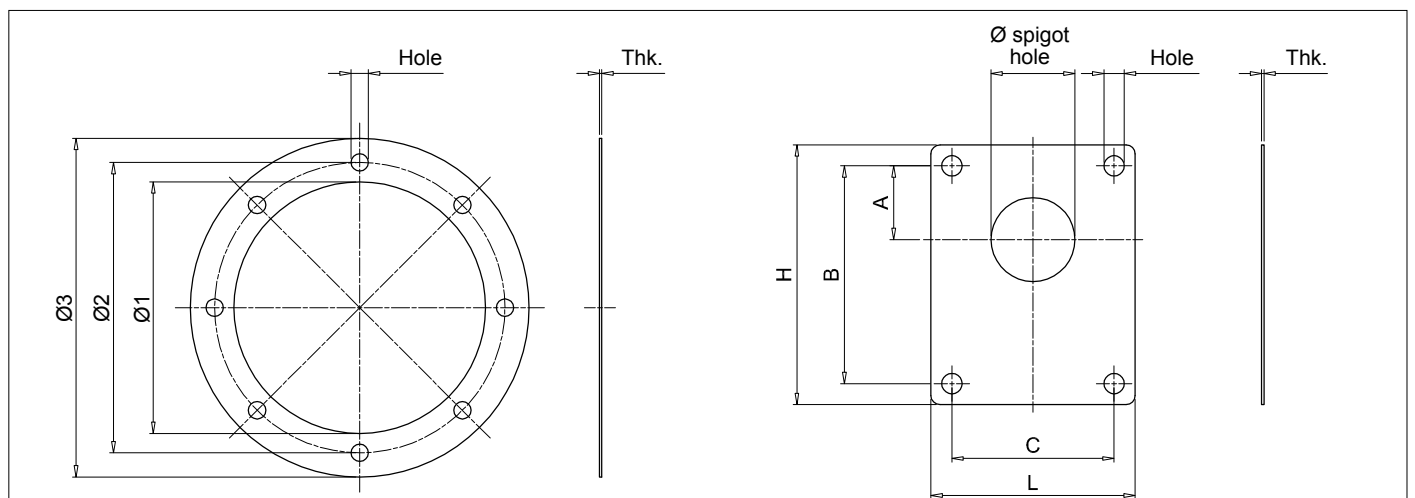
CENTER RING

Center ring code	Dimensions [mm]		
	Ø1	Ø2	Thk.
ANC01FS100	50	25.4	1.0
ANC01FS1M0	50	30.0	1.0
ANC02FS200	72	36.5	2.0
ANC03FS200	88	36.5	2.0
ANC03FS300	88	50.8	2.5
ANC03FS350	88	60.3	2.5
ANC04FS300	115	50.8	3.5
ANC04FS350	115	60.3	3.5
ANCA001	42	22.0	1.0
ANCD005	85	50.8	2.5



Center ring code	Bell-Housing size										
	LMG090	LMG105	LMG120	LMG140	LMG160	LMG200	LMG250	LMG300	LMG351	LMG400	LMG450
ANC01FS100	●	●	●	●	●						
ANC01FSM0	●	●	●	●	●						
ANC02FS200			●	●	●	●	●				
ANC03FS200								●	●		
ANC03FS300								●			
ANC03FS350								●			
ANC04FS200										●	●
ANC04FS300									●	●	●
ANC04FS350									●	●	●
ANCA001	●	●	●	●	●		●				
ANCD005						●	●	●	●		

GASKET



Motor side gasket

Bell-housing size	Seals code	Dimensions [mm]				
		Ø1	Ø2	Ø3	Thk.	Hole
LMG 120	GUM P 120	84	100	120	1	7
LMG 140	GUM P 140	96	115	140	1	9
LMG 160	GUM P 160	110	130	160	1	9
LMG 200	GUM P 200	145	165	200	1	11
LMG 250	GUM P 250	190	215	250	1	14
LMG 300	GUM P 300	234	265	300	1	14
LMG 350	GUM P 350	260	300	350	1	18

Pump side gasket

Pump identification code	Seals code	Dimensions [mm]							
		Ø	A	B	C	H	L	Thk.	Hole
FS05M	GUP P001	22.0	25.6	66	-	80	48	1	6.5
FS100	GUP P002	25.4	26.6	72	52.4	87	67	1	6.5
FS1M0	GUP P003	30.0	24.5	73	56.0	85	68	1	6.5
FS200	GUP P004	36.5	32.5	96	71.5	112	88	1	8.5
FS300	GUP P005	50.8	43.0	128	98.5	148	118	1	10.5
FSZBR	GUP P013	32.0	10.35	40	40.0	75	62	1	8.5
FSZFR	GUP P014	80.0	34.5	100	72.0	118	90	1	9.0

LMC/LDC series

IEC electric motor range from size 80 up to size 355



Technical data

Bell-Housing - IEC electric motor range from size 80 up to size 355

Materials

- Monobloc bell-housing: Pressure die-cast aluminium alloy
- Pump flange: Pressure die-cast aluminium alloy
- Screws kit: Steel
- Gaskets: Special paper (Guarnital)
- Plug for inspection: Polyamide

Compatibility with fluids

Modular bell-housing components compatible for use with:

- Mineral oils types HH-HL-HM-HR-HV, to ISO 6743/4 standard
- Water based emulsions types HFAE-HFAS, to ISO 6743/4 standard
- Water glycol type HFC, to ISO 6743/4 standard: ask for anodized version

Special Applications

Any applications not covered by the normal indications contained in this catalogue must be evaluated and approved by MP Filtri Technical and Sales Department

Temperature

From -30 °C to +80 °C

Note

For temperatures outside this range, contact MP Filtri Technical and Sales Department



Range

Bell-Housing size	Flange ISO 3019-2							IEC Motors size	
	50 B2-B4	63 B2-B4	80 B2-B4	100 B2-B4	125 B2-B4	160 B2-B4	200 B2-B4		
LMC200	●	●	●	●					IEC 80 Ø200 - Ø19x40
LMC200	●	●	●	●					IEC 90 Ø200 - Ø24x50
LMC250	●	●	●	●	●				IEC 100 Ø250 - Ø28x60
LMC250	●	●	●	●	●				IEC 112 Ø250 - Ø28x60
LMC300			●	●	●	●			IEC 132 Ø300 - Ø38x80
LMC350			●	●	●	●			IEC 160 Ø350 - Ø42x110
LMC350			●	●	●	●	●		IEC 180 Ø350 - Ø48x110
LMC400			●	●	●	●	●		IEC 200 Ø400 - Ø55x110
LMC450			●	●	●	●	●		IEC 225 Ø450 - Ø60x140
LMC550					●	●	●		IEC 250 Ø550 - Ø65x140
LMC550					●	●	●		IEC 280 Ø550 - Ø75x140
LMC660					●	●	●		IEC 315 Ø660 - Ø80x170

Bell-Housing size	Flange SAE J 744										IEC Motors size		
	50-2 (A-A)	82-2 (A)	101-2 (B)	127-2 (C)	152-2 (D)	165-2 (E)	101-4 (B)	127-4 (D)	152-4 (D)	165-4 (E)			
LMC200	●	●											IEC 80 Ø200 - Ø19x40
LMC200	●	●											IEC 90 Ø200 - Ø24x50
LMC250	●	●	●					●					IEC 100 Ø250 - Ø28x60
LMC250	●	●	●	●				●					IEC 112 Ø250 - Ø28x60
LMC300		●	●	●				●	●				IEC 132 Ø300 - Ø38x80
LMC350		●	●	●				●	●				IEC 160 Ø350 - Ø42x110
LMC350		●	●	●	●			●	●	●			IEC 180 Ø350 - Ø48x110
LMC400		●	●	●	●	●		●	●	●	●		IEC 200 Ø400 - Ø55x110
LMC450			●	●	●	●		●	●	●	●		IEC 225 Ø450 - Ø60x140
LMC550				●	●	●		●	●	●	●		IEC 250 Ø550 - Ø65x140
LMC550				●	●	●		●	●	●	●		IEC 280 Ø550 - Ø75x140
LMC660				●	●	●		●	●	●	●		IEC 315 Ø660 - Ø80x170

Designation & Ordering code

LMC

Bell-Housing series and size

LMC200AFSJ	LMC350AFSU
LMC200AFSW	LMC400AFSV
LMC250AFSM	LMC450AFSZ
LMC250AFSQ	LMC550AFSN
LMC250AFSR	LMC550AFSO
LMC300AFST	LMC660AFSP
LMC300AFSX	LMC660AFSS
LMC350AFSY	

Configuration example: **LMC200AFSJ** **070** **DI**

Pump interface codes

070 See page 60

Options

DI	Drain hole + inspection hole
FR	Holes rotated through 45° in relation to standard position
DP	Double set of hole
AN	Black anodized finish
SA	Clearance holes at motor interface
Pxx	Customer specification

LDC

Bell-Housing series and size

LDC200AFRB	LDC350AF6B
LDC200AFRC	LDC400AF5A
LDC200AFRD	LDC400AF5B
LDC250AFRC	LDC400AF6A
LDC300AFRC	LDC400AF6B
LDC300AF5A	LDC450AF6A
LDC300AF5B	LDC450AF6B
LDC350AF6A	

Configuration example: **LDC200AFRB** **070** **DI**

Pump interface codes

070 See page 60

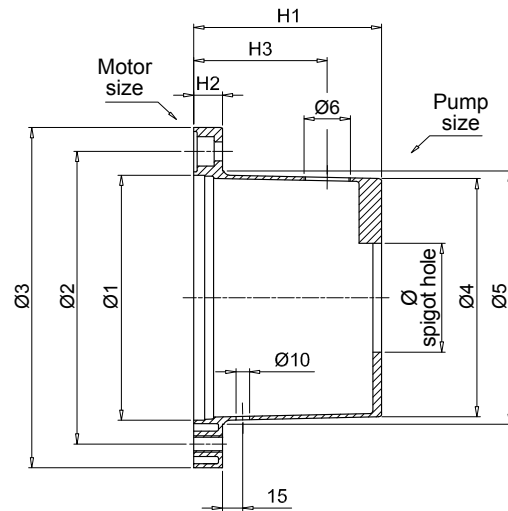
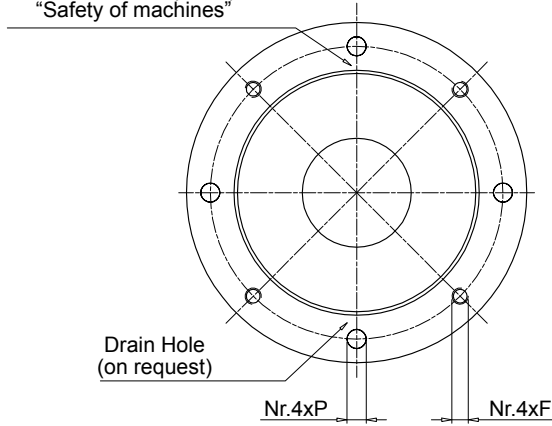
Options

DI	Drain hole + inspection hole
FR	Holes rotated through 45° in relation to standard position
DP	Double set of hole
AN	Black anodized finish
SA	Clearance holes at motor interface
Pxx	Customer specification

Note:

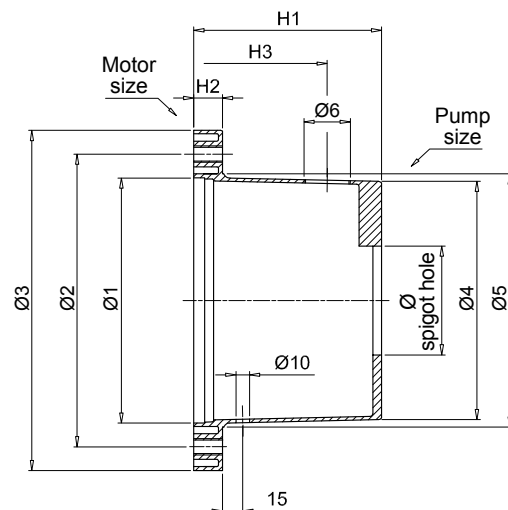
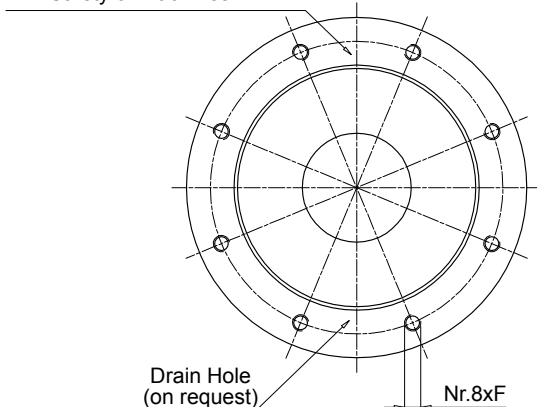
- Bell-housings with DI options are supplied complete with threaded closure plug.
- For customization features other than those indicated on this page, contact MP Filtri Technical and Sales Department.

Inspection Hole
Plastic threaded plug mounted
(protection according
to DIN EN 292 part 2)
"Safety of machines"



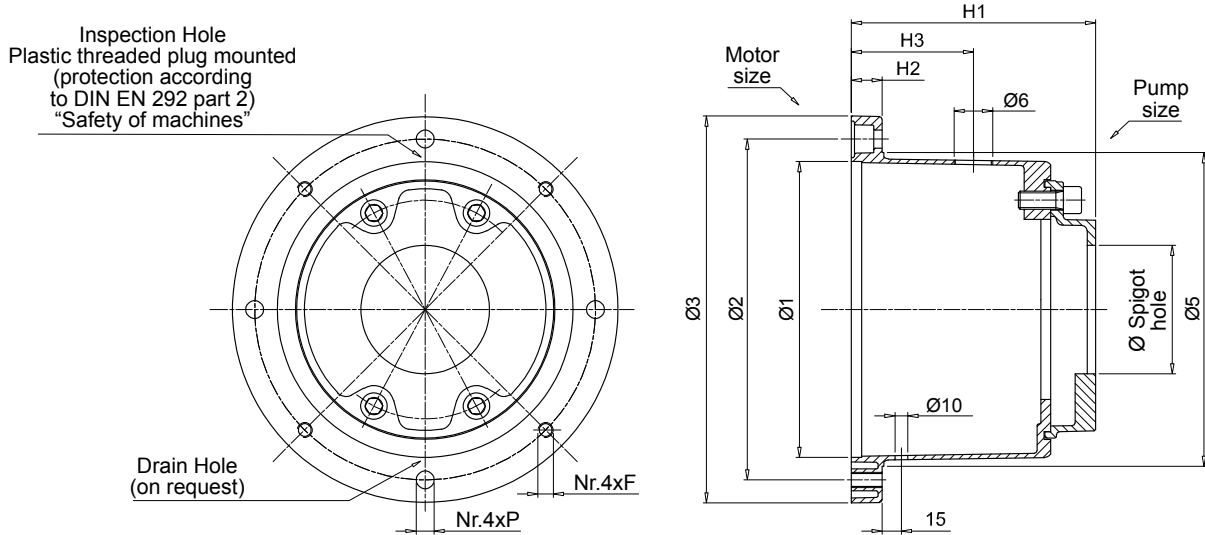
IEC - Electric motors		Bell-housing code	Dimensions [mm]								On request		Ø spigot hole Minimum [mm]	Weight [kg]	
Motor size	Shaft end [Ø x L]		Ø1	Ø2	Ø3	Ø4	Ø5	H1	H2	F	P	H3			Ø6
80	19x40	LMC200AFSJ***	130	165	200	125	135	100	18	M10	11	60	3/4"	50	0.75
90	24x50	LMC200AFSW***	130	165	200	125	135	125	18	M10	11	85	3/4"	50	0.95
110 - 112	28x60	LMC250AFSM***	180	215	250	175	186	114	19	M12	14	75	3/4"	50	1.50
		LMC250AFSQ***	180	215	250	175	186	138	19	M12	14	100	3/4"	50	1.60
		LMC250AFSR***	180	215	250	175	186	159	19	M12	14	120	3/4"	50	1.75
132	38x80	LMC300AFST***	230	265	300	230	235	155	23	M12	14	80	3/4"	80	3.20
		LMC300AFSX***	230	265	300	230	235	170	23	M12	14	95	3/4"	80	3.30
160	42x110	LMC350AFSY***	250	300	350	240	254	178	31	M16	18	95	1"	50	4.80
180	48x110	LMC350AFSU***	250	300	350	240	254	194	31	M16	18	115	1"	80	4.90
200	55x110	LMC400AFSV***	300	350	400	280	305	201	31	M16	18	125	1 1/2"	80	6.50

Inspection Hole
Plastic threaded plug mounted
(protection according
to DIN EN 292 part 2)
"Safety of machines"

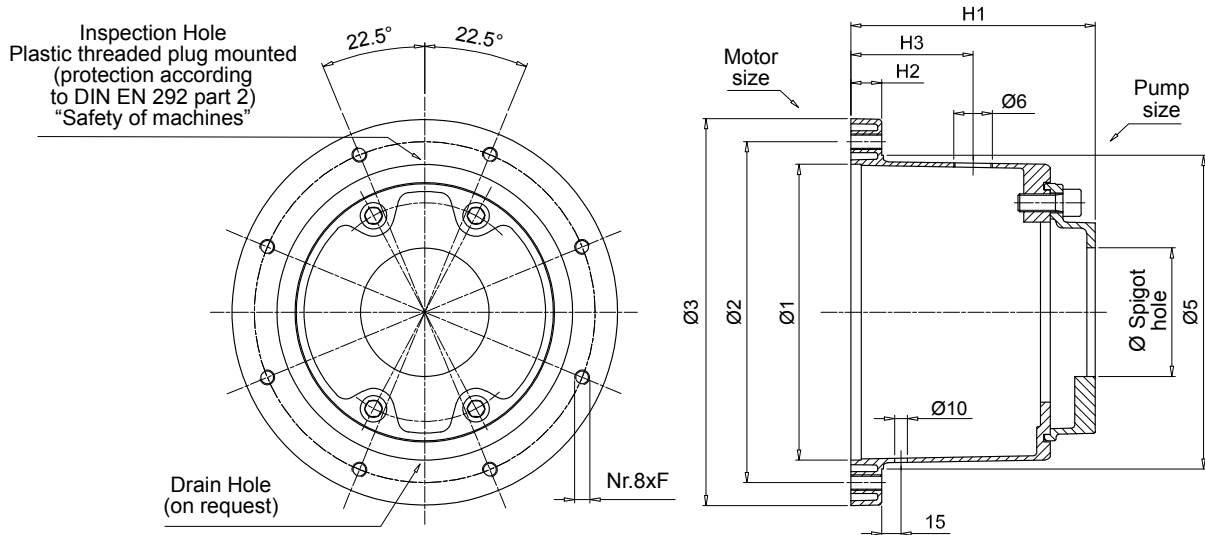


IEC - Electric motors		Bell-housing code	Dimensions [mm]								On request		Ø spigot hole Minimum [mm]	Weight [kg]	
Motor size	Shaft end [Ø x L]		Ø1	Ø2	Ø3	Ø4	Ø5	H1	H2	F	P	H3			Ø6
225	60x140	LMC450AFSZ***	350	400	450	320	350	250	31	M16	-	175	1 1/2"	80	9.00
250	65x140	LMC550AFSN***	450	500	550	-	-	265	31	M16	-	175	1 1/2"	100	15.00
280	75x140	LMC550AFSO***	450	500	550	-	-	310	35	M16	-	175	1 1/2"	100	17.00
315	80x170	LMC660AFSP***	550	600	660	-	-	295	45	M20	-	175	1 1/2"	100	27.00
		LMC660AFSS***	550	600	660	-	-	325	45	M20	-	175	1 1/2"	100	31.00

Dimensions



IEC - Electric motors		Bell-housing code	Dimensions [mm]								On request		Ø spigot hole Minimum [mm]	Weight [kg]
Motor size	Shaft end [Ø x L]		Ø1	Ø2	Ø3	Ø5	H1	H2	F	P	H3	Ø6		
80	19x40	LDC200AFRB***	130	165	200	135	125	18	M10	11	60	3/4"	50	1.85
90	24x50	LDC200AFRC***	130	165	200	135	133	18	M10	11	60	3/4"	50	1.95
		LDC200AFRD***	130	165	200	135	158	18	M10	11	75	3/4"	50	2.10
110 - 112	28x60	LDC250AFRC***	180	215	250	186	169	19	M12	14	100	3/4"	50	2.75
		LDC300AFRC***	230	265	300	235	185	23	M12	14	95	3/4"	50	4.60
132	38x80	LDC300AF5A***	230	265	300	235	190	23	M12	14	95	3/4"	80	4.50
		LDC300AF5B***	230	265	300	235	181	23	M12	14	95	3/4"	80	4.80
160	42x110	LDC350AF6A***	250	300	350	254	239	31	M16	18	115	1"	80	6.80
180	48x110	LDC350AF6B***	250	300	350	254	252	31	M16	18	115	1"	80	7.30
		LDC400AF5A***	300	350	400	305	246	31	M16	18	125	1 1/2"	80	7.50
200	55x110	LDC400AF5B***	300	350	400	305	234	31	M16	18	125	1 1/2"	80	7.90
		LDC400AF6A***	300	350	400	305	246	31	M16	18	125	1 1/2"	80	8.50
		LDC400AF6B***	300	350	400	305	260	31	M16	18	125	1 1/2"	80	9.00



IEC - Electric motors		Bell-housing code	Dimensions [mm]							On request		Ø spigot hole Minimum [mm]	Weight [kg]	
Motor size	Shaft end [Ø x L]		Ø1	Ø2	Ø3	Ø5	H1	H2	F	P	H3			Ø6
225	60x140	LDC450AF6A***	350	400	450	350	295	31	M16	-	175	1 1/2"	80	11.20
		LDC450AF6B***	350	400	450	350	308	31	M16	-	175	1 1/2"	80	11.60

Comparative table

MP Filtri code	KTR code	OMT code	Raja code	Hydrapp code
LMC200A***	PK200/3/...	TH20A***	R200/99-115/...	-
LMC200A***	PL200/8/...	TH1***	R200/120-135/...	HLC1
LMC250A***	PL250/6/...	TH2***	R250/120-135/...	HLC3
LMC300A***	PL300/4/...	TH3***	R300/155-170/...	HLC5
LMC350A***	PK350/4/...	TH4***	R350/173-194/...	HLC8
LMC400A***	PK400/4/...	TH15***	R400/194-210/...	HLC12
LMC450A***	PK450/4/...	TH18***	R450/250-210/...	-
LMC550A***	PK550/4/...	TH19***	R550/250-210/...	-
LMC660A***	PK660/4/...	TH20***	R660/250-210/...	-

Note:

The above table is guideline only.
Not all bell-housings are fully interchangeable.

LMS/LDS series

IEC electric motor range from size 100 up to size 315



Technical data

Bell-Housing - IEC electric motor range from size 100 up to size 315

Materials

- Motor base bell-housing: Pressure die-cast aluminium alloy
- Pump flange: Pressure die-cast aluminium alloy
- Internal ring: Pressure die-cast aluminium alloy
- Damping ring: Vulcanized aluminium + NBR 75 Shore A

Compatibility with fluids

Modular bell-housing components compatible for use with:

- Mineral oils types HH-HL-HM-HR-HV, to ISO 6743/4 standard
- Water based emulsions types HFAE-HFAS, to ISO 6743/4 standard
- Water glycol type HFC, to ISO 6743/4 standard: ask for anodized version

Special Applications

Any applications not covered by the normal indications contained in this catalogue must be evaluated and approved by MP Filtri Technical and Sales Department

Temperature

From -30 °C to +80 °C

Note

For temperatures outside this range, contact MP Filtri Technical and Sales Department



Range

Bell-Housing size	Flange ISO 3019-2							IEC Motors size
	50 B2-B4	63 B2-B4	80 B2-B4	100 B2-B4	125 B2-B4	160 B2-B4	200 B2-B4	
LMS250	●	●	●	●	●			IEC 100 Ø250 - Ø28x60
LMS250	●	●	●	●	●			IEC 112 Ø250 - Ø28x60
LMS300			●	●	●	●		IEC 132 Ø300 - Ø38x80
LMS350			●	●	●	●		IEC 160 Ø350 - Ø42x110
LMS350			●	●	●	●	●	IEC 180 Ø350 - Ø48x110
LMS400			●	●	●	●	●	IEC 200 Ø400 - Ø55x110
LMS450			●	●	●	●	●	IEC 225 Ø450 - Ø60x140
LMS550					●	●	●	IEC 250 Ø550 - Ø65x140
LMS550					●	●	●	IEC 280 Ø550 - Ø75x140
LMS660					●	●	●	IEC 315 Ø660 - Ø80x170

Bell-Housing size	Flange SAE J 744									IEC Motors size	
	50-2 (A-A)	82-2 (A)	101-2 (B)	127-2 (C)	152-2 (D)	165-2 (E)	101-4 (B)	127-4 (D)	152-4 (D)		165-4 (E)
LMS250	●	●	●				●				IEC 100 Ø250 - Ø28x60
LMS250	●	●	●	●			●				IEC 112 Ø250 - Ø28x60
LMS300		●	●	●			●	●			IEC 132 Ø300 - Ø38x80
LMS350		●	●	●			●	●			IEC 160 Ø350 - Ø42x110
LMS350		●	●	●	●		●	●	●		IEC 180 Ø350 - Ø48x110
LMS400		●	●	●	●	●	●	●	●	●	IEC 200 Ø400 - Ø55x110
LMS450			●	●	●	●		●	●	●	IEC 225 Ø450 - Ø60x140
LMS550				●	●	●		●	●	●	IEC 250 Ø550 - Ø65x140
LMS550				●	●	●		●	●	●	IEC 280 Ø550 - Ø75x140
LMS660				●	●	●		●	●	●	IEC 315 Ø660 - Ø80x170

LMS/LDS

Designation & Ordering code

LMS

Bell-Housing series and size

Configuration example: **LMS250AFSA** **070** **DI**

LMS250AFSA	LMS400AFSL
LMS250AFSB	LMS400AFSM
LMS300AFSC	LMS400AFSN
LMS300AFSD	LMS450AFSO
LMS300AFSE	LMS550AFSP
LMS350AFSF	LMS550AFSR
LMS350AFSG	LMS660AFST
LMS350AFSH	

Pump interface codes

070 See page 60

Options

DI	Drain hole + inspection hole
FR	Holes rotated through 45° in relation to standard position
DP	Double set of hole
AN	Black anodized finish
SA	Clearance holes at motor interface
Pxx	Customer specification

LDS

Bell-Housing series and size

Configuration example: **LDS250AFRA** **070** **DI**

LDS250AFRA	LDS450AF6A
LDS250AFBB	LDS550AF6A
LDS250AFRE	LDS660AF6A
LDS300AFRB	
LDS300AFRC	
LDS300AF5G	
LDS350AF5A	
LDS400AF6A	

Pump interface codes

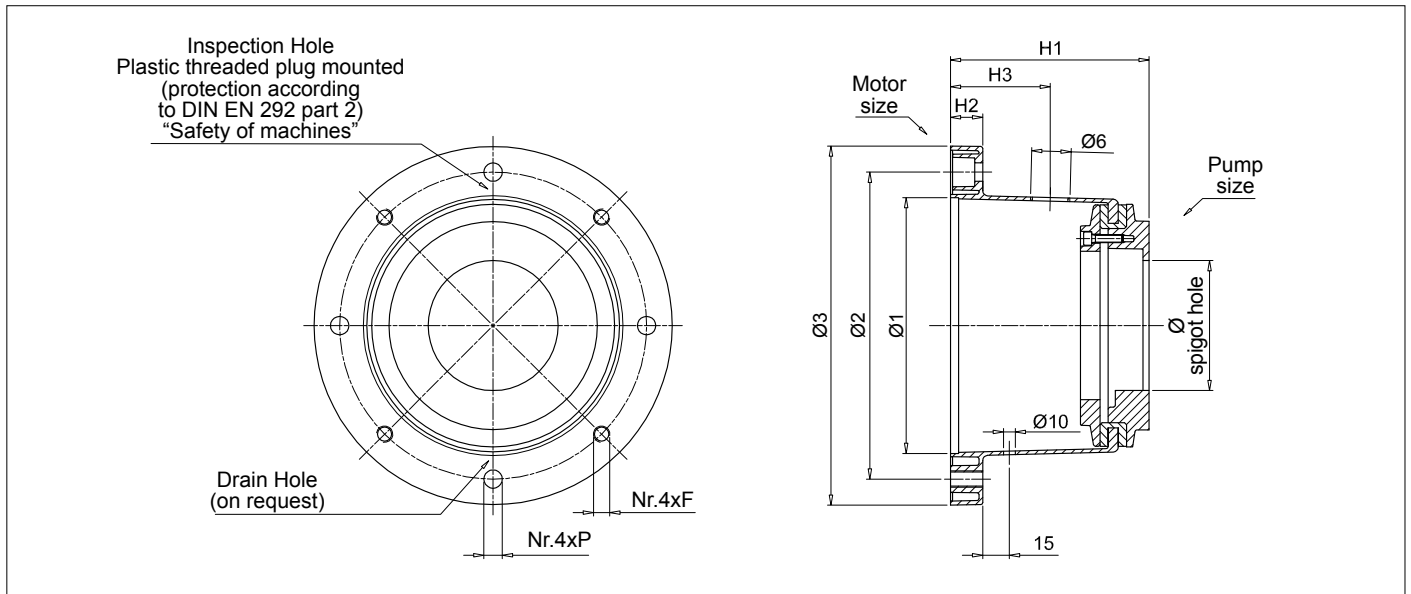
070 See page 60

Options

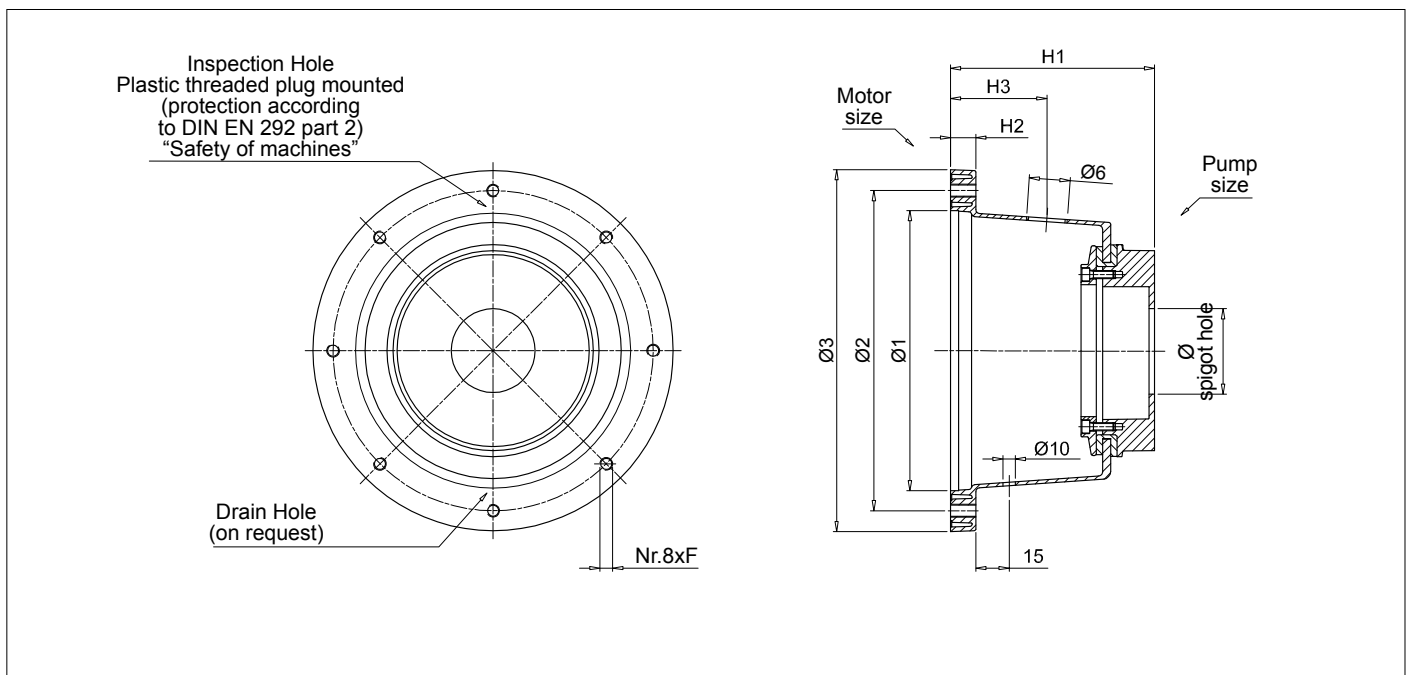
DI	Drain hole + inspection hole
FR	Holes rotated through 45° in relation to standard position
DP	Double set of hole
AN	Black anodized finish
SA	Clearance holes at motor interface
Pxx	Customer specification

Note:

- Bell-housings with DI options are supplied complete with threaded closure plug.
- For customization features other than those indicated on this page, contact MP Filtri Technical and Sales Department.

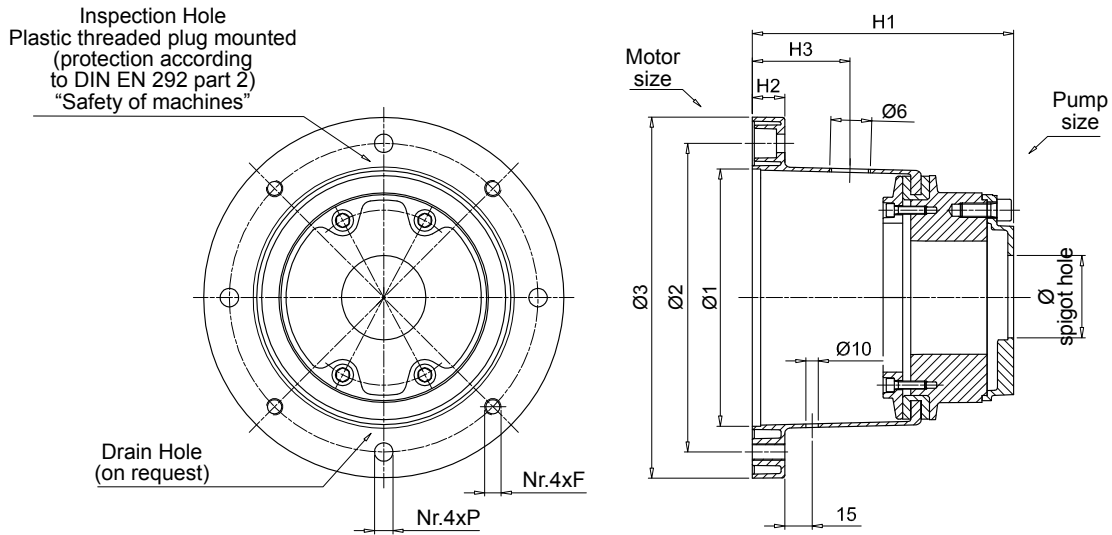


IEC - Electric motors		Bell-housing code	Dimensions [mm]							On request		Ø spigot hole Minimum [mm]	Weight [kg]
Motor size	Shaft end [Ø x L]		Ø1	Ø2	Ø3	H1	H2	F	P	H3	Ø6		
100 - 112	28x60	LMS250AFSA***	180	215	250	128	19	M12	14	75	3/4"	50	3.72
		LMS250AFSB***	180	215	250	148	19	M12	14	75	3/4"	50	4.10
132	38x80	LMS300AFSC***	230	265	300	155	23	M12	14	80	3/4"	50	4.20
		LMS300AFSD***	230	265	300	168	23	M12	14	80	3/4"	80	4.45
		LMS300AFSE***	230	265	300	194	23	M12	14	80	3/4"	80	6.51
160 180	42x110 48x110	LMS350AFSF***	250	300	350	204	31	M16	18	95	1"	80	6.80
		LMS350AFSG***	250	300	350	228	31	M16	18	95	1"	80	7.10
		LMS350AFSH***	250	300	350	204	31	M16	18	95	1"	80	8.51
200	55x110	LMS400AFSL***	300	350	400	228	31	M16	18	125	1 1/2"	80	8.80
		LMS400AFSM***	300	350	400	256	31	M16	18	125	1 1/2"	80	9.10
		LMS400AFSN***	300	350	400	240	31	M16	18	125	1 1/2"	80	11.61

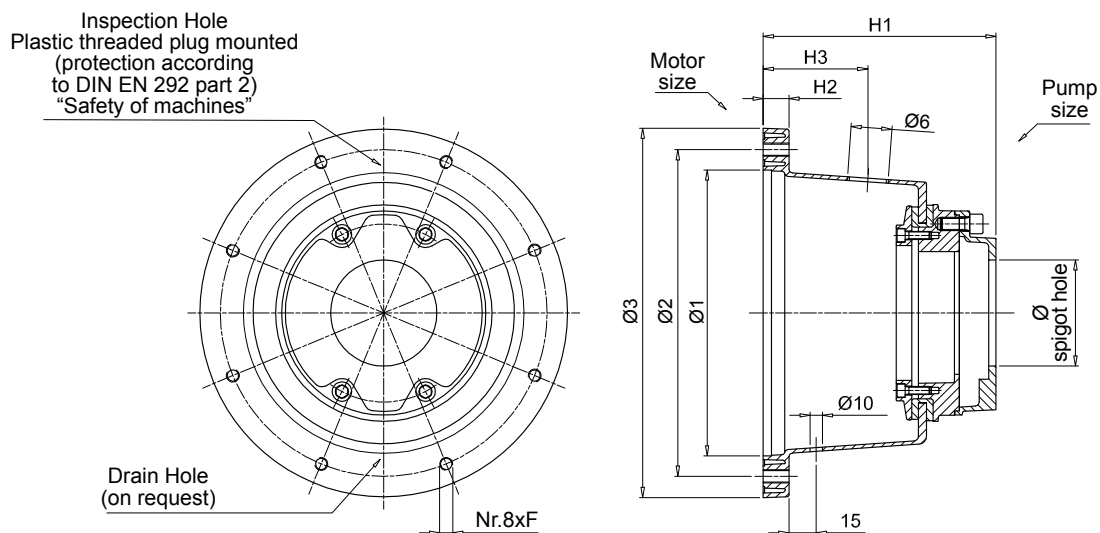


IEC - Electric motors		Bell-housing code	Dimensions [mm]							On request		Ø spigot hole Minimum [mm]	Weight [kg]
Motor size	Shaft end [Ø x L]		Ø1	Ø2	Ø3	H1	H2	F	P	H3	Ø6		
225	60x140	LMS450AFS0***	350	400	450	255	31	M16	-	175	1 1/2"	80	12.1
250	65x140	LMS550AFSP***	450	500	550	255	31	M16	-	176	1 1/2"	80	15.2
280	75x140	LMS550AFSR***	450	500	550	270	31	M16	-	177	1 1/2"	80	15.9
315	80x170	LMS660AFST***	550	600	660	305	42	M20	-	179	1 1/2"	80	20.2

Dimensions



IEC - Electric motors		Bell-housing code	Dimensions [mm]							On request		Ø spigot hole Minimum [mm]	Weight [kg]
Motor size	Shaft end [Ø x L]		Ø1	Ø2	Ø3	H1	H2	F	P	H3	Ø6		
100 - 112	28x60	LDS250AFRA***	180	215	250	158	19	M12	14	75	3/4"	50	3.97
		LDS250AFRB***	180	215	250	165	19	M12	14	75	3/4"	50	4.10
		LDS250AFRE***	180	215	250	173	19	M12	14	75	3/4"	50	4.70
132	38x80	LDS300AFRB***	230	265	300	185	23	M12	14	80	3/4"	50	4.75
		LDS300AFRC***	230	265	300	188	23	M12	14	80	3/4"	80	4.85
		LDS300AF5G***	230	265	300	232	23	M12	14	80	3/4"	80	6.70
160 180	42x110 48x110	LDS350AF5A***	250	300	350	254	31	M16	18	95	1"	80	8.10
200	55x110	LDS400AF6A***	300	350	400	288	31	M16	18	125	1 1/2"	80	10.00



IEC - Electric motors		Bell-housing code	Dimensions							On request		Ø spigot hole Minimum [mm]	Weight [kg]
Motor size	Shaft end [Ø x L]		Ø1	Ø2	Ø3	H1	H2	F	P	H3	Ø6		
225	60x140	LDS450AF6A***	350	400	450	287	31	M16	-	175	1 1/2"	80	14.10
250	65x140	LDS550AF6A***	450	500	550	300	31	M16	-	176	1 1/2"	80	17.20
280	75x140												
315	80x170	LDS660AF6A***	550	600	660	335	42	M20	-	179	1 1/2"	80	23.00

Comparative table

MP Filtri code	KTR code	OMT code	Raja code
LMS250A***	PK+D150/190	BS251***	R250***DF
LMS300A***	PK+D150/190	BS300***	R300***DF
LMS350A***	PK+D150/D190/D230/260	BS350***	R350***DF
LMS400A***	PK+/D190/D230/260	BS400***	R400***DF
LMS450A***	PK+/D190/D230/260D/D330	BS451***	R450***DF
LMS550A***	PK+/D190/D230/260D/D330	BS551***	R550***DF
LMS660A***	PK+/D190/D230/260D/D330	BS661***	R660***DF

Note:

The above table is guideline only.

Not all bell-housings are fully interchangeable.

MULTI-COMPONENTS

IEC electric motor range from size 132 up to size 355



Technical data

Modular Bell-Housing Components - IEC electric motor range from size 132 up to size 355

Materials

- Base module: Pressure die-cast aluminium alloy
- Pump flange: Aluminium alloy
- Intermediate adapter: Aluminium alloy.
- Screw kit: Steel
- Gaskets: Special paper (Guarnital)

Compatibility with fluids

Modular bell-housing components compatible for use with:

- Mineral oils types HH-HL-HM-HR-HV, to ISO 6743/4 standard
- Water based emulsions types HFAE-HFAS, to ISO 6743/4 standard
- Water glycol type HFC, to ISO 6743/4 standard: ask for anodized version

Special Applications

Any applications not covered by the normal indications contained in this catalogue must be evaluated and approved by MP Filtri Technical and Sales Department

Temperature

From -30 °C to +80 °C

Note

For temperatures outside this range, contact MP Filtri Technical and Sales Department



GENERAL INFORMATION MULTI-COMPONENTS

BMC

Bell-Housing size	Flange ISO 3019-2							IEC Motors size	
	50 B2-B4	63 B2-B4	80 B2-B4	100 B2-B4	125 B2-B4	160 B2-B4	200 B2-B4		
BMC200	●	●	●	●				IEC 80 Ø200 - Ø19x40	
BMC200	●	●	●	●				IEC 90 Ø200 - Ø24x50	
BMC250	●	●	●	●	●			IEC 100 Ø250 - Ø28x60	
BMC250	●	●	●	●	●			IEC 112 Ø250 - Ø28x60	
BMC300			●	●	●	●		IEC 132 Ø300 - Ø38x80	
BMC350			●	●	●	●		IEC 160 Ø350 - Ø42x110	
BMC350			●	●	●	●	●	IEC 180 Ø350 - Ø48x110	
BMC400			●	●	●	●	●	IEC 200 Ø400 - Ø55x110	
BMC450			●	●	●	●	●	IEC 225 Ø450 - Ø60x140	

Bell-Housing size	Flange SAE J 744										IEC Motors size	
	50-2 (A-A)	82-2 (A)	101-2 (B)	127-2 (C)	152-2 (D)	165-2 (E)	101-4 (B)	127-4 (D)	152-4 (D)	165-4 (E)		
BMC200	●	●									IEC 80 Ø200 - Ø19x40	
BMC200	●	●									IEC 90 Ø200 - Ø24x50	
BMC250	●	●	●				●				IEC 100 Ø250 - Ø28x60	
BMC250	●	●	●	●			●				IEC 112 Ø250 - Ø28x60	
BMC300		●	●	●			●	●			IEC 132 Ø300 - Ø38x80	
BMC350		●	●	●			●	●			IEC 160 Ø350 - Ø42x110	
BMC350		●	●	●	●		●	●	●		IEC 180 Ø350 - Ø48x110	
BMC400		●	●	●	●	●	●	●	●	●	IEC 200 Ø400 - Ø55x110	
BMC450			●	●	●	●	●	●	●	●	IEC 225 Ø450 - Ø60x140	

BMT

Bell-Housing size	Flange ISO 3019-2							IEC Motors size	
	50 B2-B4	63 B2-B4	80 B2-B4	100 B2-B4	125 B2-B4	160 B2-B4	200 B2-B4		
BMT300			●	●	●	●		IEC 132 Ø300 - Ø38x80	
BMT350			●	●	●	●		IEC 160 Ø350 - Ø42x110	
BMT350			●	●	●	●	●	IEC 180 Ø350 - Ø48x110	
BMT400			●	●	●	●	●	IEC 200 Ø400 - Ø55x110	
BMT450			●	●	●	●	●	IEC 225 Ø450 - Ø60x140	
BMT550					●	●	●	IEC 250 Ø550 - Ø65x140	
BMT550					●	●	●	IEC 280 Ø550 - Ø75x140	
BMT660					●	●	●	IEC 315 Ø660 - Ø80x170	
BAD800					●	●	●	IEC 355 Ø800 - Ø95x210	

Bell-Housing size	Flange SAE J 744										IEC Motors size	
	50-2 (A-A)	82-2 (A)	101-2 (B)	127-2 (C)	152-2 (D)	165-2 (E)	101-4 (B)	127-4 (D)	152-4 (D)	165-4 (E)		
BMT300		●	●	●			●	●			IEC 132 Ø300 - Ø38x80	
BMT350		●	●	●			●	●			IEC 160 Ø350 - Ø42x110	
BMT350		●	●	●	●		●	●	●		IEC 180 Ø350 - Ø48x110	
BMT400		●	●	●	●	●	●	●	●	●	IEC 200 Ø400 - Ø55x110	
BMT450			●	●	●	●	●	●	●	●	IEC 225 Ø450 - Ø60x140	
BMT550				●	●	●	●	●	●	●	IEC 250 Ø550 - Ø65x140	
BMT550				●	●	●	●	●	●	●	IEC 280 Ø550 - Ø75x140	
BMT660				●	●	●	●	●	●	●	IEC 315 Ø660 - Ø80x170	
BAD800				●	●	●	●	●	●	●	IEC 355 Ø800 - Ø95x210	

MULTI-COMPONENTS

Designation & Ordering code

BMC

1 Motor base series and size			Configuration example: BMC200A1001	DI
BMC200A1001	BMC300A1551	BMC400A2016		
BMC200A1251	BMC300A1555	BMC450A2507		
BMC250A1141	BMC300A1705			
BMC250A1361	BMC350A1945			
	BMC350A1946			
BMT300A0805	BMT550A21567			
BMT350A1105	BMT660A25067			
BMT400A1106	BAD800A2707			
BMT450A1406				

Options	
DI	Drain hole + inspection hole
AN	Black anodized finish
SA	Clearance holes at motor interface
Pxx	Customer specification

2 Intermediate adapter series and size			Configuration example: AD60465	AN
AD60465				
AD50385				
AD60466				
AD50386				
AD50467				
AD60467				

Options	
AN	Black anodized finish
Pxx	Customer specification

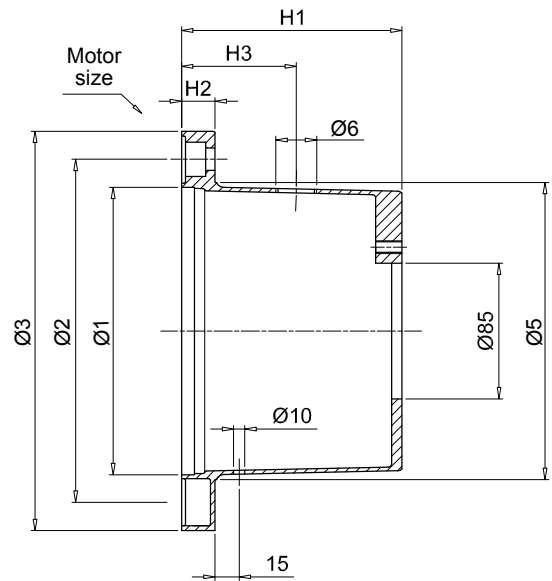
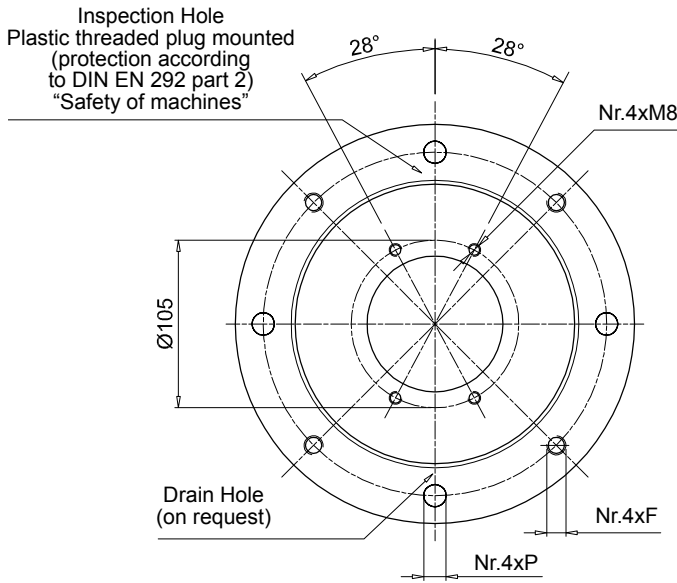
3 Pump flange series and size				Configuration example: FP5026	070	AN
FR1023	FP5026	FP6032	FP7052			
FR1025	FP5032	FP6045	FP7066			
FR1033	FP5035	FP6058	FP7069			
FR1035	FP5045	FP6070	FP7086			
FR1040	FP5056	FP6082	FP70111			
FR1079	FP5063	FP6086				
	FP5091	FP60101				
		FP60110				

Pump interface codes	
070	See page 60

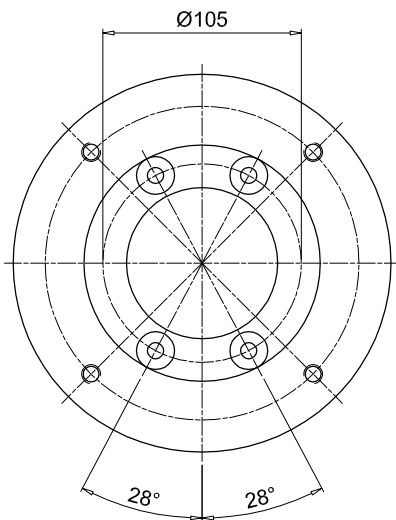
Options	
FR	Holes rotated through 45° in relation to standard position
DP	Double set of hole
AN	Black anodized finish
Pxx	Customer specification

Options	
Mounting kit code series and size	
KVG1	
KVG5	
KVG6	See page 111
KVG7	

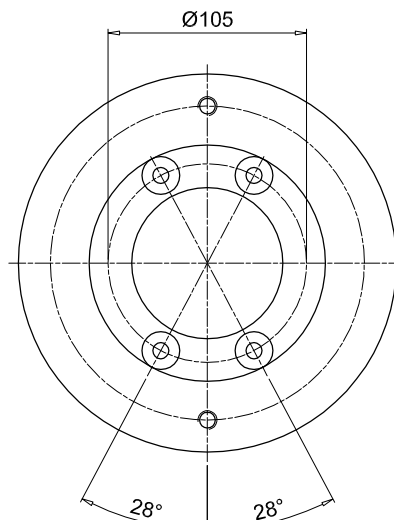
1



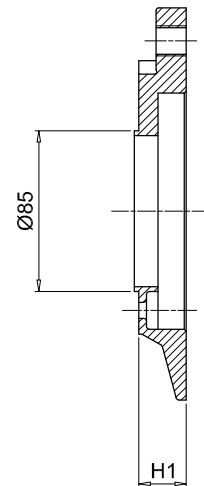
IEC - Electric motors		Motor base code	Dimensions [mm]								On request		Weight [kg]
Motor size	Shaft end [Ø x L]		Ø1	Ø2	Ø3	Ø5	H1	H2	F	P	H3	Ø6	
80	19x40	BMC200A1001	130	165	200	135	100	18	M10	11	60	3/4"	0.75
90	24x50	BMC200A1251	130	165	200	135	125	18	M10	11	75	3/4"	0.95
100-112	28x60	BMC250A1141	180	215	250	186	114	19	M12	14	80	3/4"	1.60
		BMC250A1361	180	215	250	186	138	19	M12	14	100	3/4"	1.60
132	38x80	BMC300A1551	230	265	300	235	155	23	M12	14	95	3/4"	3.30



4 Bolt Version



2 Bolt Version



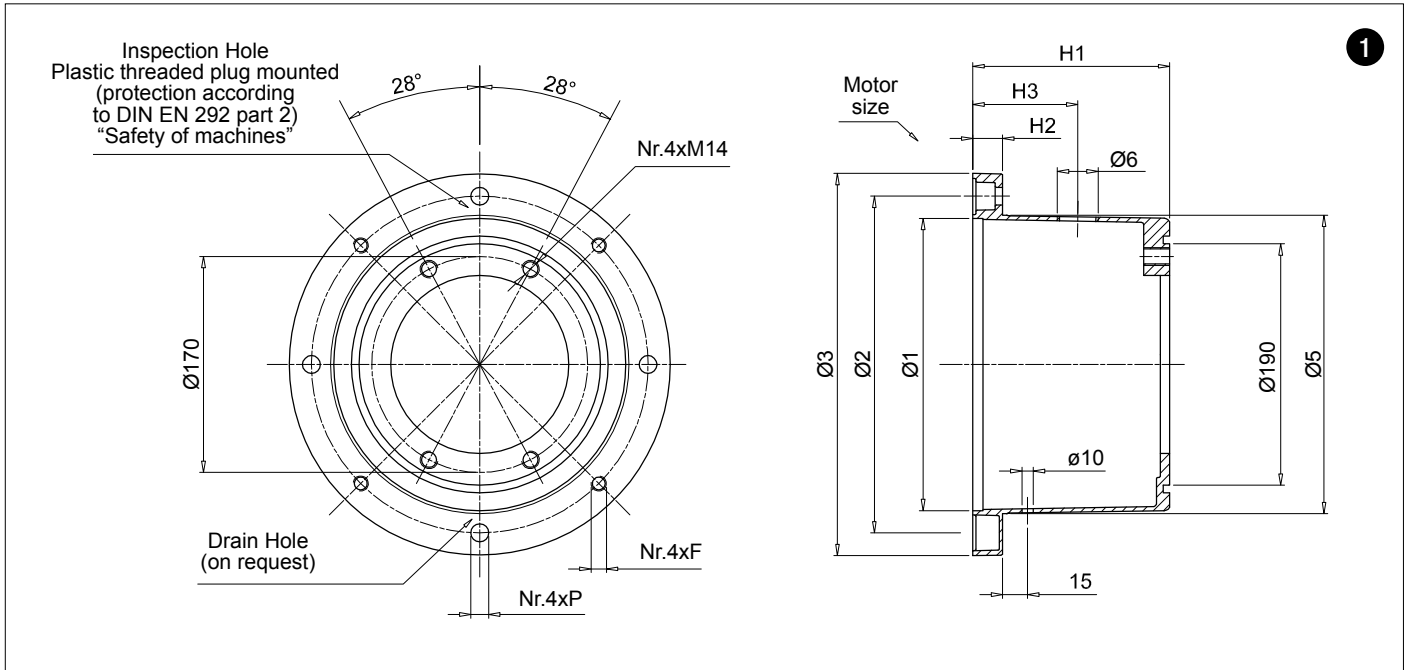
The codes on the chart must be used for dimensional checking only; the ordering codes for all components are available on the on-line software "Power Transmission Software" on the web site www.mpfiltri.com

3

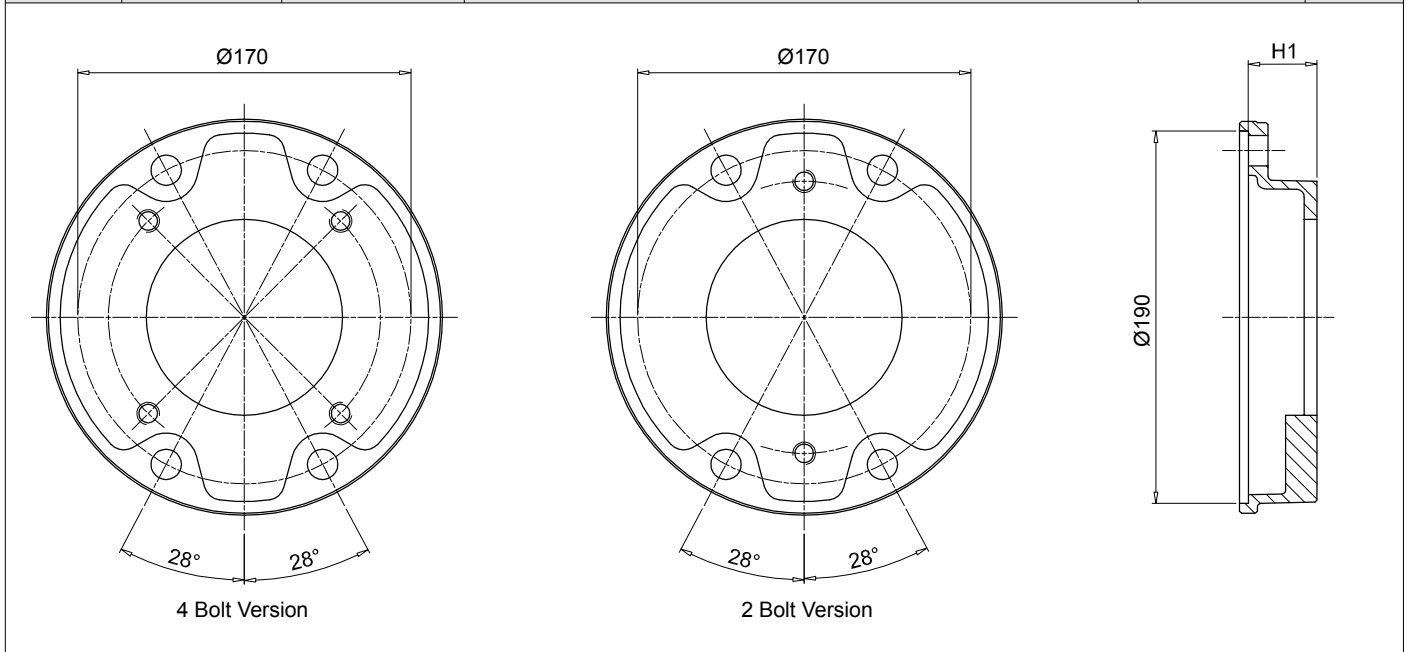
Pump flange code	H1	Mounting kit	Available pump interface		Weight [kg]
			2 Bolt	4 Bolt	
FR1023***	23	KVG1 See page 111	D042 - S061 - S063 - S083 - S023 - S070 - S071 - S082 - S075	S024 - S025 - S125 - S154	0.25
FR1025***	25		S080 - S082	S021 - S026 - S068 - S069	0.30
FR1033***	33		S023 - S070 - S071 - S072 - S074 S080 - S082	S021 - S026 - S027	0.80
FR1035***	35		S060 - S063 - S065	-	0.90
FR1040***	40		-	S098 - S227	1.10
FR1079***	79		-	S031	1.30

Pump flange code to be complete with available pump interface

Example: **FR1023S024**



IEC - Electric motors		Motor base code	Dimensions [mm]								On request		Weight [kg]
Motor size	Shaft end [Ø x L]		Ø1	Ø2	Ø3	Ø5	H1	H2	F	P	H3	Ø6	
132	38x80	BMC300A1555	230	265	300	235	155	23	M12	14	95	3/4"	3.3
		BMC300A1705	230	265	300	235	170	23	M12	14	110	3/4"	3.6
160	42x110	BMC350A1785	250	300	350	254	178	31	M16	18	100	1"	4.4
180	48x110	BMC350A1945	250	300	350	254	194	31	M16	18	115	1"	4.9



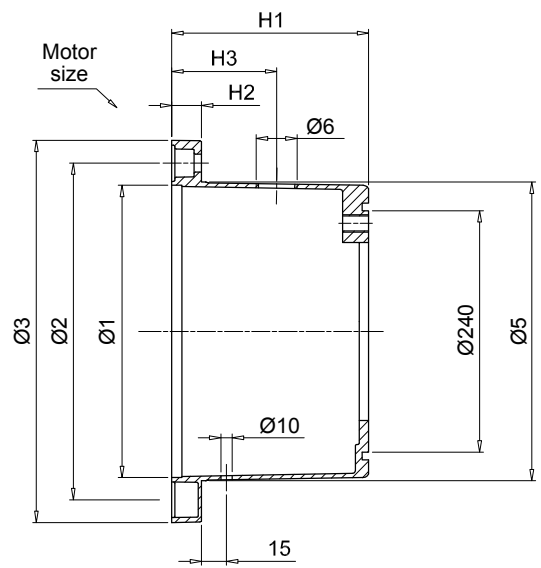
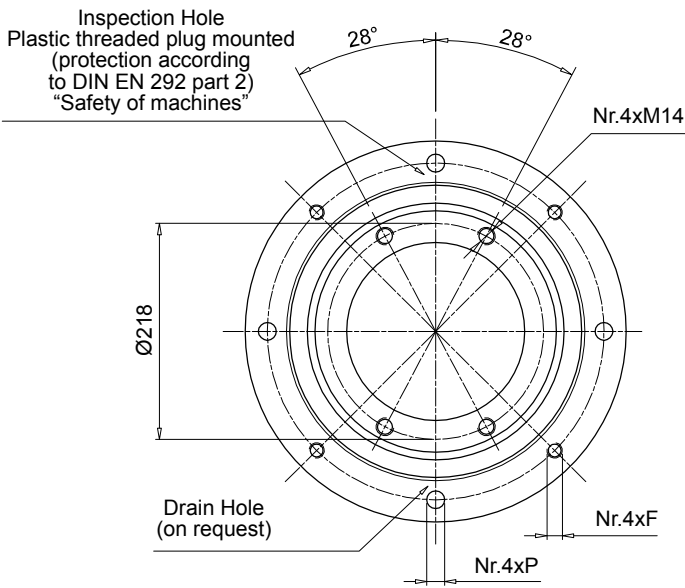
The codes on the chart must be used for dimensional checking only; the ordering codes for all components are available on the on-line software "Power Transmission Software" on the web site www.mpfiltri.com

Pump flange code	H1	Mounting kit	Available pump interface		Weight [kg]
			2 Bolt	4 Bolt	
FP5026***	26	KVG5 See page 111	S023 - D042 - S063 - S070 - S072 S075	S024 - S024 - S033 - S125 - S154	1.0
FP5032***	32		-	S024 - S031 - S096 - S125	1.1
FP5035***	35		S023 - D042 - S063 - S070 - S072 - S075 - S060 - S072 - S074 - S075 - S106	S021 - S024 - S025 - S026 - S031 - S059 - S068 - S083 - S097 - S125 - S141	0.9
FP5045***	45		S060 - S070 - S071 - S072 - S074 - S075 - S106	S021 - S024 - S025 - S026 - S068 - S125 - S141	0.9
FP5056***	56		S072	S021 - S026	1.6
FP5063***	63		S070 - S079 - S138	S021 - S025 - S068 - S141	1.7
FP5091***	91		-	S025 - S031 - S033 - S113 - S267	2.2

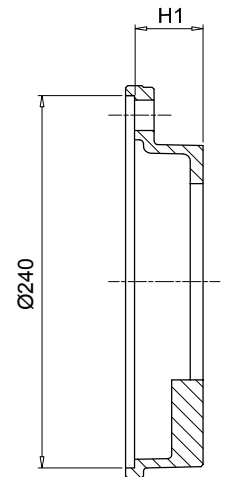
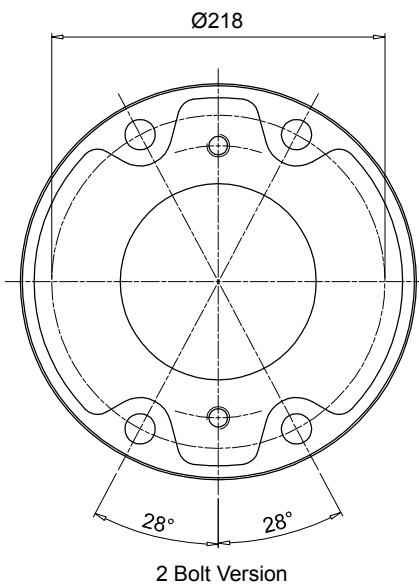
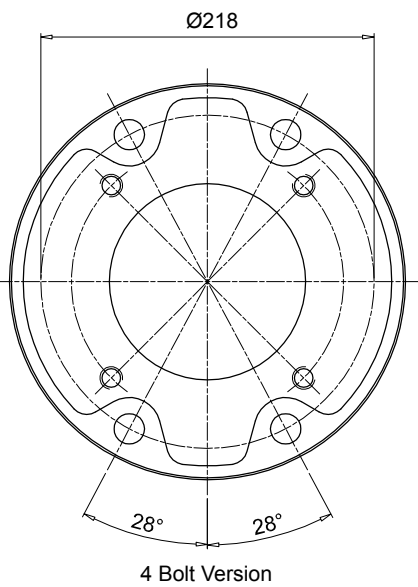
Pump flange code to be complete with available pump interface

Example: **FP5026S023**

1



IEC - Electric motors		Motor base code	Dimensions [mm]							On request		Weight [kg]	
Motor size	Shaft end [Ø x L]		Ø1	Ø2	Ø3	Ø5	H1	H2	F	P	H3		Ø6
160	42x110	BMC350A1786	250	300	350	254	178	31	M16	18	100	1"	4.4
180	48x110	BMC350A1946	250	300	350	254	194	31	M16	18	115	1"	1.9
200	55x110	BMC400A2016	300	350	400	305	201	31	M16	18	125	1 1/2"	6.9

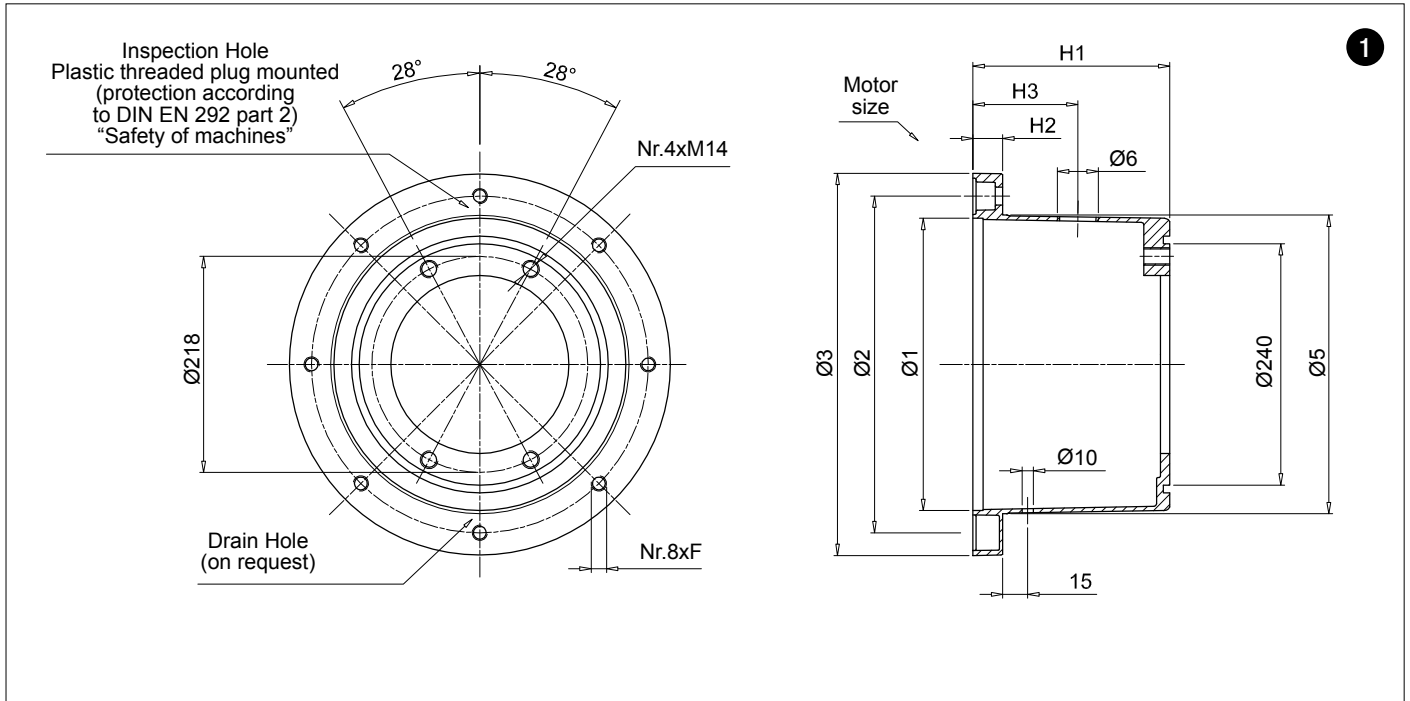


The codes on the chart must be used for dimensional checking only; the ordering codes for all components are available on the on-line software "Power Transmission Software" on the web site www.mpfiltri.com

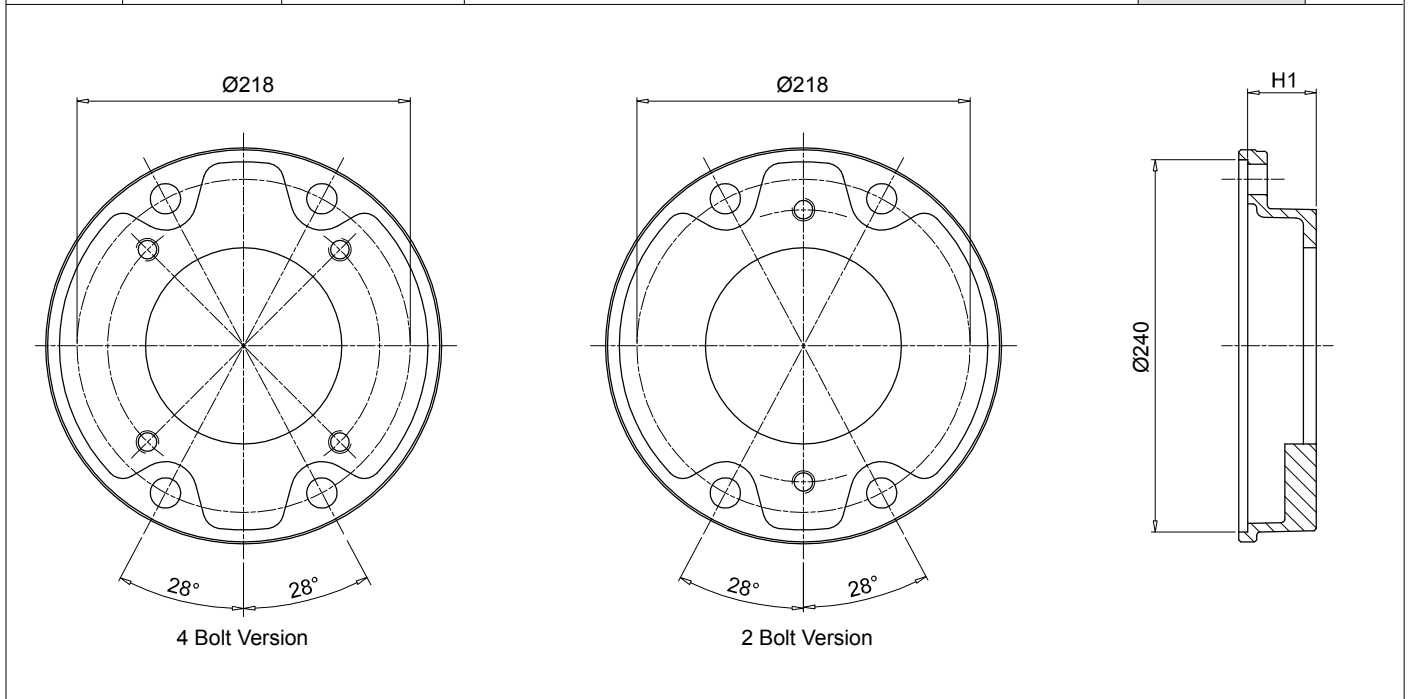
3

Pump flange code	H1	Mounting kit	Available pump interface		Weight [kg]
			2 Bolt	4 Bolt	
FP6032***	32	KVG6 See page 111	S081 - S082	S021 - S035	1.8
FP6045***	45		S070 - S075 - S080 - S081 - S082	S021 - S025 - S026 - S027 - S069 - S077 - S125 - S198 - S207 - S215 - S253	2.1
FP6058***	58		S079 - S080 - S081 - S082	S025 - S026 - S027 - S038 - S077 - S078 - S207 - S215 - S237	2.4
FP6070***	70		S080	-	3.0
FP6082***	82		S080 - S081	S038 - S141 - 198 - 215	3.3
FP6086***	86		S090 - S092 - S166 - S091	S021 - S026 - S027 - S077 - S078 - S114 - S132 - 198 - S200	3.4
FP6101***	101		-	S027 - S035 - S113 - S132 - S148 - S176 - S228	4.2
FP6110***	110		S080	S111	5.5

Pump flange code to be complete with available pump interface
Example: **FP6032S021**



IEC - Electric motors		Motor base code	Dimensions [mm]								On request		Weight [kg]
Motor size	Shaft end [Ø x L]		Ø1	Ø2	Ø3	Ø5	H1	H2	F	P	H3	Ø6	
225	60x140	BMC450A2506	350	400	450	350	250	31	M16	-	175	1 1/2"	6.9



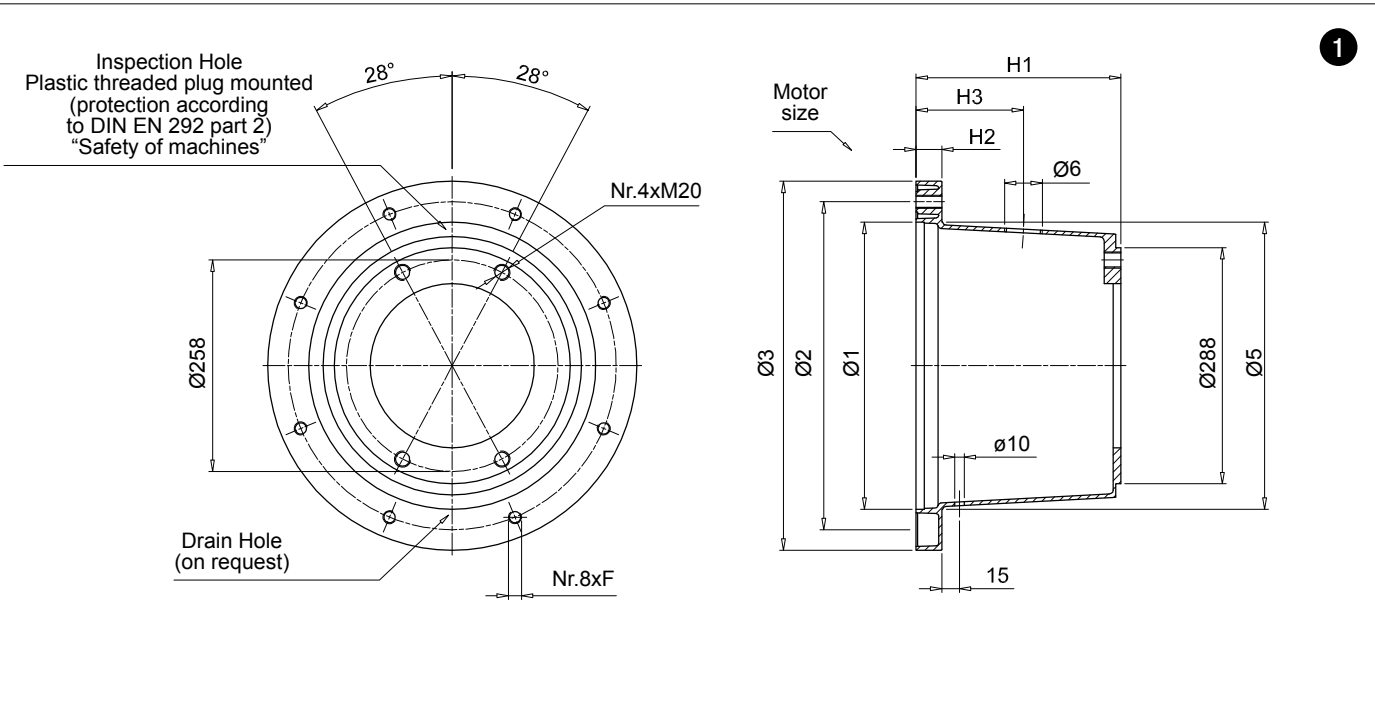
The codes on the chart must be used for dimensional checking only; the ordering codes for all components are available on the on-line software "Power Transmission Software" on the web site www.mpfiltri.com

Pump flange code	H1	Mounting kit	Available pump interface		Weight [kg]
			2 Bolt	4 Bolt	
FP6032***	32	KVG6 See page 111	S081 - S082	S021 - S035	1.8
FP6045***	45		S070 - S075 - S080 - S081 - S082	S021 - S025 - S026 - S027 - S069 - S077 - S125 - S198 - S207 - S215 - S253	2.1
FP6058***	58		S079 - S080 - S081 - S082	S025 - S026 - S027 - S038 - S077 - S078 - S207 - S215 - S237	2.4
FP6070***	70		S080	-	3.0
FP6082***	82		S080 - S081	S038 - S141 - 198 - 215	3.3
FP6086***	86		S090 - S092 - S166 - S091	S021 - S026 - S027 - S077 - S078 - S114 - S132 - 198 - S200	3.4
FP6101***	101		-	S027 - S035 - S113 - S132 - S148 - S176 - S228	4.2
FP6110***	110		S080	S111	5.5

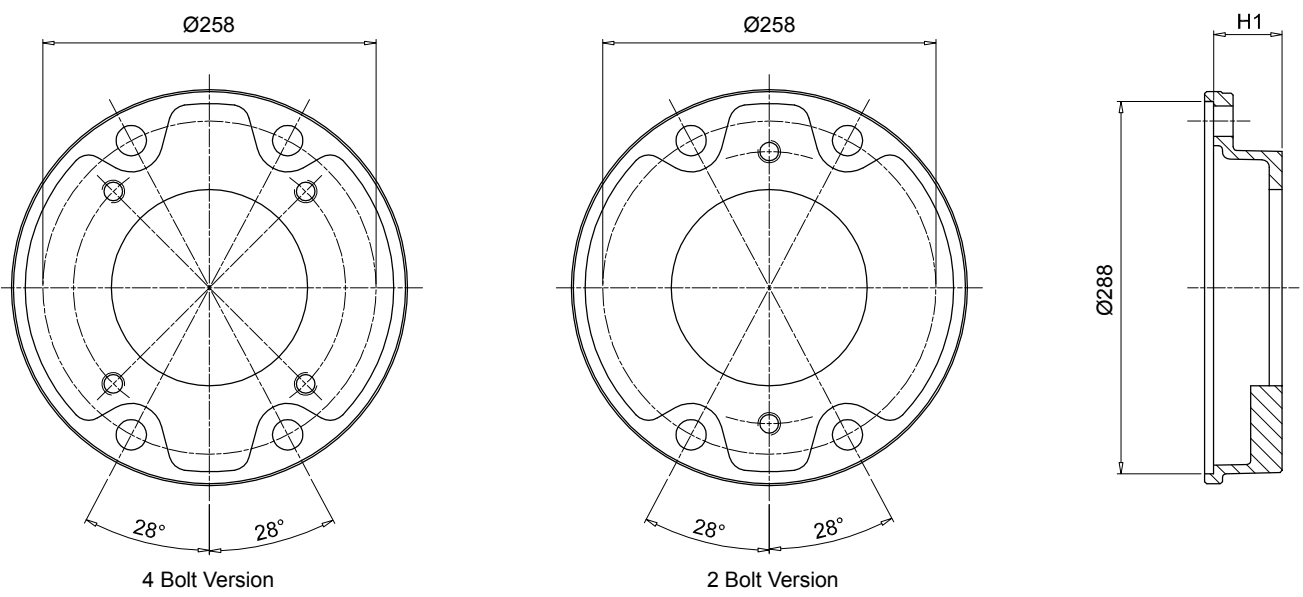
Pump flange code to be complete with available pump interface

Example: **FP6032S021**

1



IEC - Electric motors		Motor base code	Dimensions [mm]								On request		Weight [kg]
Motor size	Shaft end [Ø x L]		Ø1	Ø2	Ø3	Ø5	H1	H2	F	P	H3	Ø6	
225	60x140	BMC450A2507	350	400	450	350	250	31	M16	-	175	1 1/2"	6.9

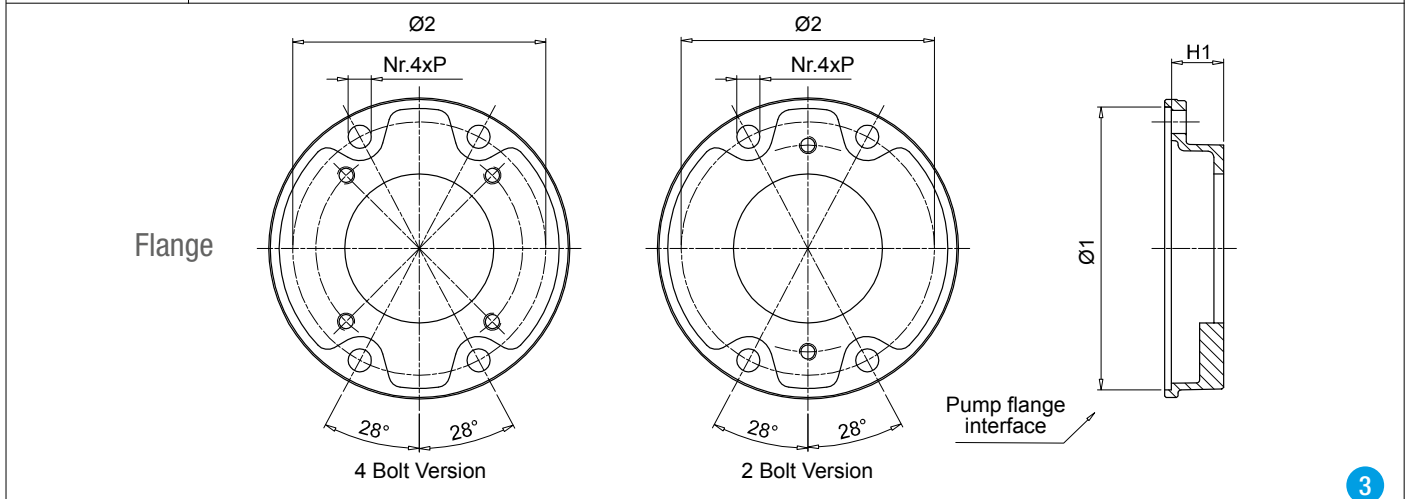
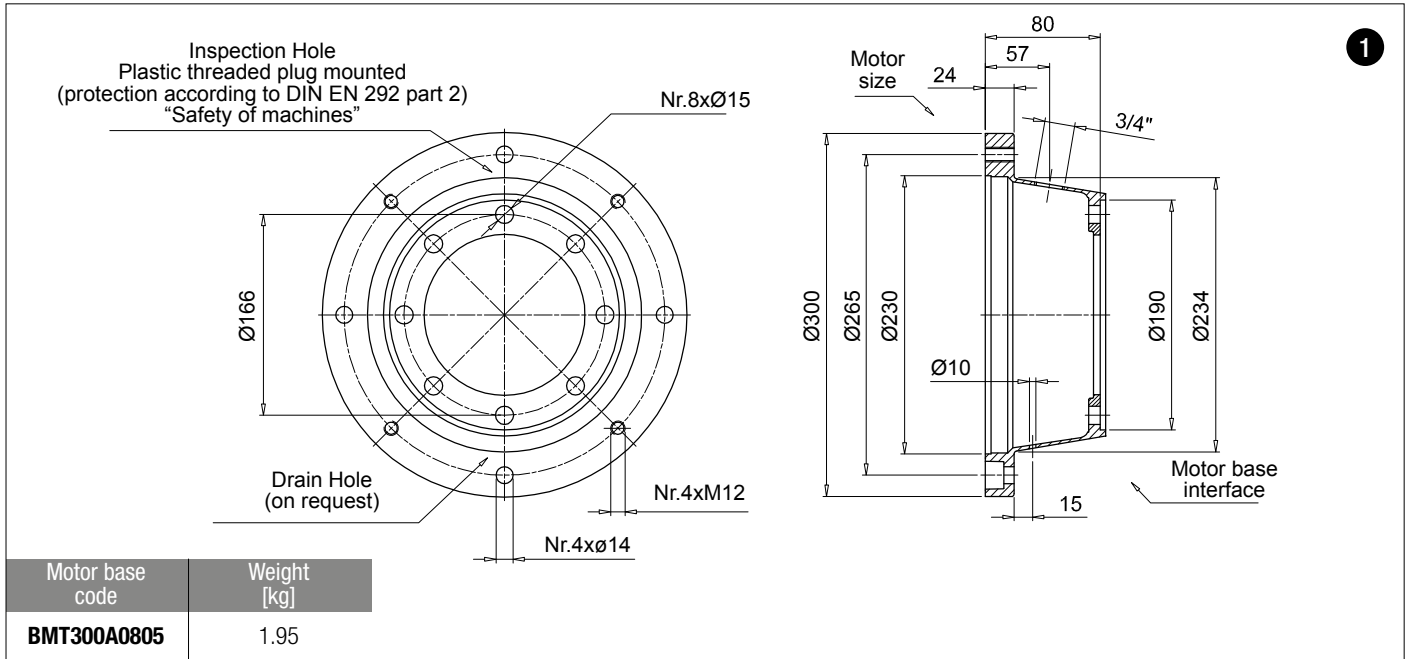


The codes on the chart must be used for dimensional checking only; the ordering codes for all components are available on the on-line software "Power Transmission Software" on the web site www.mpfiltri.com

3

Pump flange code	H1	Mounting kit	Available pump interface		Weight [kg]
			2 Bolt	4 Bolt	
FP7052***	52	KVG7 See page 111	-	S028 - S108 - S112 - S133 - S192	4.4
FP7066***	66		S090 - S092 - S166	-	4.8
FP7069***	69		-	S108 - S143 - S148 - S192 - S201 - S204 - S281 - S282	4.9
FP7086***	86		S091 - S092 - S117 - S166	S022 - S027 - S028 - S108 - S112 - S184 - S192 - S201 - S228 - S300	5.2
FP7111***	111		S091 - S092 - S117 - S145	S028 - S108 - S112 - S133 - S184	6.3

Pump flange code to be complete with available pump interface
Example: **FP7052S028**



The codes on the chart must be used for dimensional checking only; the ordering codes for all components are available on the on-line software "Power Transmission Software" on the web site www.mpfiltr.com

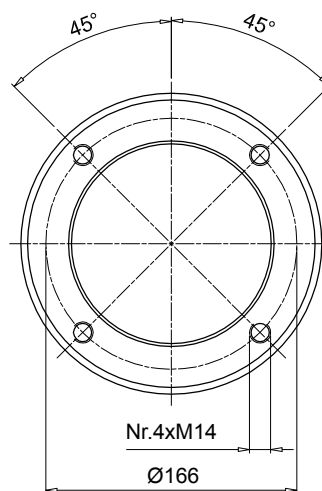
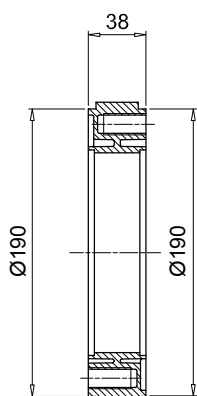
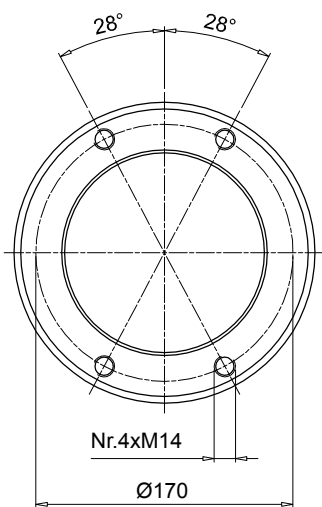
Pump flange code	H1	Ø1	Ø2	P	Mounting kit	Available pump interface		Weight [kg]
						2 Bolt	4 Bolt	
FP5026***	26	190	170	15	KVG5 See page 111	S023 - D042 - S063 - S070 - S072 S075	S024 - S024 - S033 - S125 - S154	1
FP5032***	32					-	S024 - S031 - S096 - S125	1.1
FP5035***	35					S023 - D042 - S063 - S070 - S072 - S075 - S060 - S072 - S074 - S075 - S106	S021 - S024 - S025 - S026 - S031 - S059 - S068 - S083 - S097 - S125 - S141	0.9
FP5045***	45					S060 - S070 - S071 - S072 - S074 - S075 - S106	S021 - S024 - S025 - S026 - S068 - S125 - S141	0.9
FP5056***	56					S072	S021 - S026	1.6
FP5063***	63					S070 - S079 - S138	S021 - S025 - S068 - S141	1.7
FP5091***	91	-	S025 - S031 - S033 - S113 - S267	2.2				
FP6032***	32	240	218	17	KVG6 See page 111	S081 - S082	S021 - S035	1.8
FP6045***	45					S070 - S075 - S080 - S081 - S082	S021 - S025 - S026 - S027 - S069 - S077 - S125 - S198 - S207 - S215 - S253	2.1
FP6058***	58					S079 - S080 - S081 - S082	S025 - S026 - S027 - S038 - S077 - S078 - S207 - S215 - S237	2.4
FP6070***	70					S080	-	3.0
FP6082***	82					S080 - S081	S038 - S141 - 198 - 215	3.3
FP6086***	86					S090 - S092 - S166 - S091	S021 - S026 - S027 - S077 - S078 - S114 - S132 - 198 - S200	3.4
FP6101***	101					-	S027 - S035 - S113 - S132 - S148 - S176 - S228	4.2
FP6110***	110					S080	S111	5.5
FP7052***	52	288	258	22	KVG7 See page 111	-	S028 - S108 - S112 - S133 - S192	4.4
FP7066***	66					S090 - S092 - S166	-	4.8
FP7069***	69					-	S108 - S143 - S148 - S192 - S201 - S204 - S281 - S282	4.9
FP7086***	86					S091 - S092 - S117 - S166	S022 - S027 - S028 - S108 - S112 - S184 - S192 - S201 - S228 - S300	5.2
FP7111***	111					S091 - S092 - S117 - S145	S028 - S108 - S112 - S133 - S184	6.3

Pump flange code to be complete with available pump interface

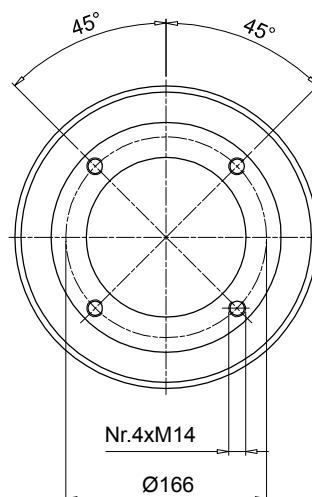
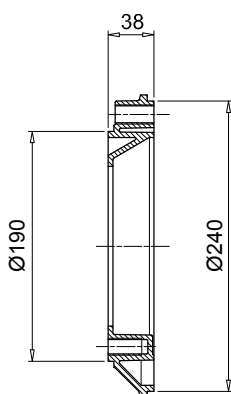
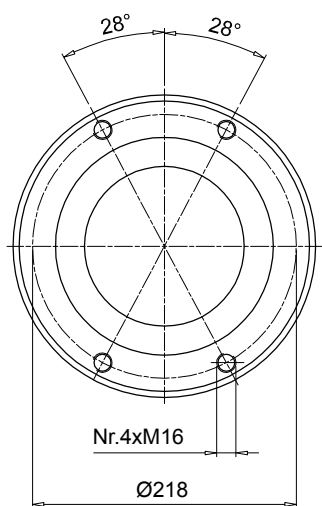
Example: **FP6032S021**

Flange interface

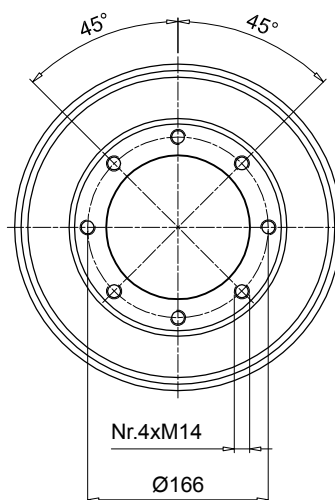
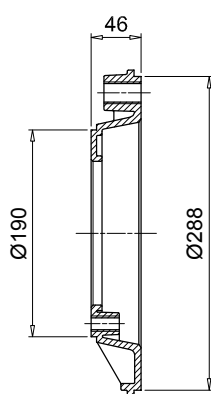
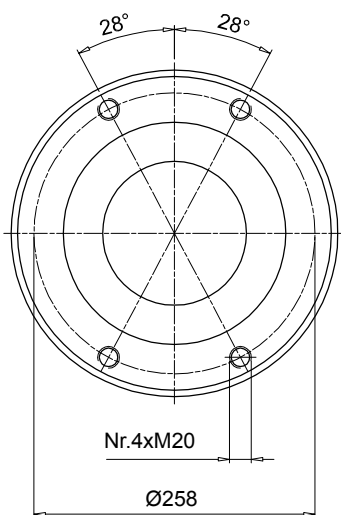
Motor base interface



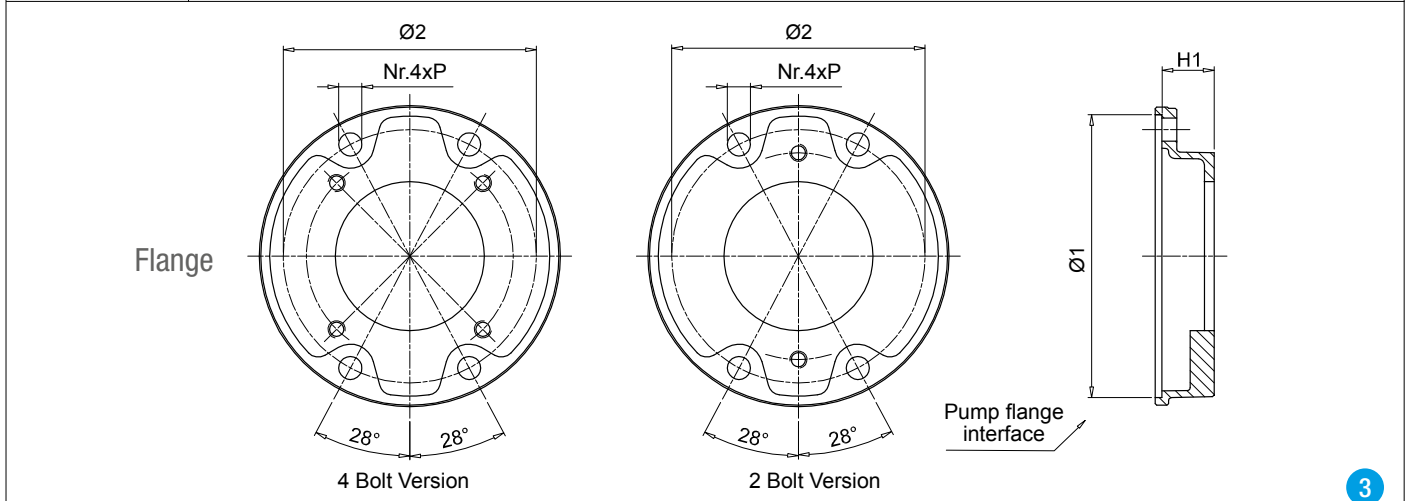
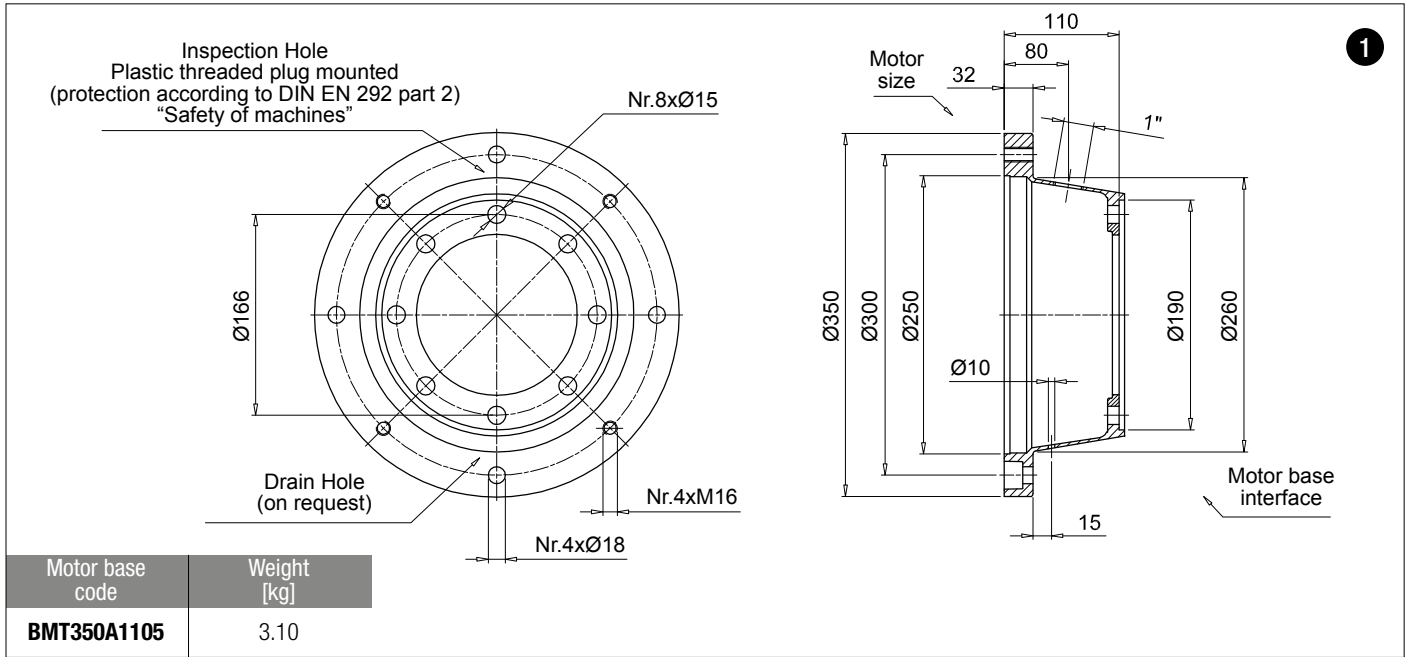
Code	Weight [kg]
AD50385	1.00



Code	Weight [kg]
AD50386	1.25



Code	Weight [kg]
AD50467	1.90



The codes on the chart must be used for dimensional checking only; the ordering codes for all components are available on the on-line software "Power Transmission Software" on the web site www.mpfiltri.com

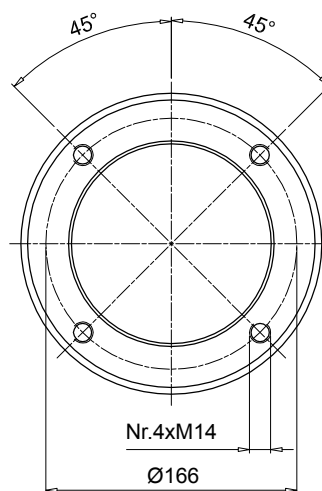
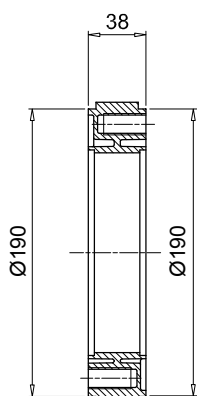
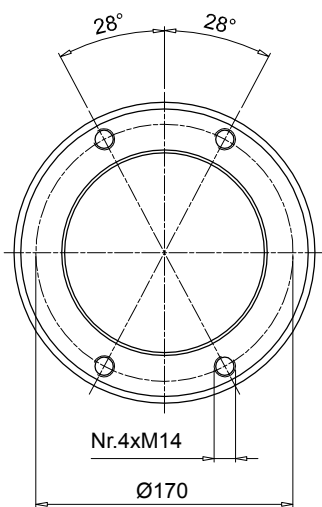
Pump flange code	H1	Ø1	Ø2	P	Mounting kit	Available pump interface		Weight [kg]
						2 Bolt	4 Bolt	
FP5026***	26				KVG5 See page 111	S023 - D042 - S063 - S070 - S072 S075	S024 - S024 - S033 - S125 - S154	1
FP5032***	32			-		S024 - S031 - S096 - S125	1.1	
FP5035***	35					S023 - D042 - S063 - S070 - S072 - S075 - S060 - S072 - S074 - S075 - S106	S021 - S024 - S025 - S026 - S031 - S059 - S068 - S083 - S097 - S125 - S141	0.9
FP5045***	45					S060 - S070 - S071 - S072 - S074 - S075 - S106	S021 - S024 - S025 - S026 - S068 - S125 - S141	0.9
FP5056***	56	190	170	15		S072	S021 - S026	1.6
FP5063***	63					S070 - S079 - S138	S021 - S025 - S068 - S141	1.7
FP5091***	91				-	S025 - S031 - S033 - S113 - S267	2.2	
FP6032***	32				KVG6 See page 111	S081 - S082	S021 - S035	1.8
FP6045***	45					S070 - S075 - S080 - S081 - S082	S021 - S025 - S026 - S027 - S069 - S077 - S125 - S198 - S207 - S215 - S253	2.1
FP6058***	58					S079 - S080 - S081 - S082	S025 - S026 - S027 - S038 - S077 - S078 - S207 - S215 - S237	2.4
FP6070***	70	240	218	17		S080	-	3.0
FP6082***	82					S080 - S081	S038 - S141 - 198 - 215	3.3
FP6086***	86					S090 - S092 - S166 - S091	S021 - S026 - S027 - S077 - S078 - S114 - S132 - 198 - S200	3.4
FP6101***	101					-	S027 - S035 - S113 - S132 - S148 - S176 - S228	4.2
FP6110***	110					S080	S111	5.5
FP7052***	52				KVG7 See page 111	-	S028 - S108 - S112 - S133 - S192	4.4
FP7066***	66					S090 - S092 - S166	-	4.8
FP7069***	69	288	258	22		-	S108 - S143 - S148 - S192 - S201 - S204 - S281 - S282	4.9
FP7086***	86					S091 - S092 - S117 - S166	S022 - S027 - S028 - S108 - S112 - S184 - S192 - S201 - S228 - S300	5.2
FP7111***	111					S091 - S092 - S117 - S145	S028 - S108 - S112 - S133 - S184	6.3

Pump flange code to be complete with available pump interface

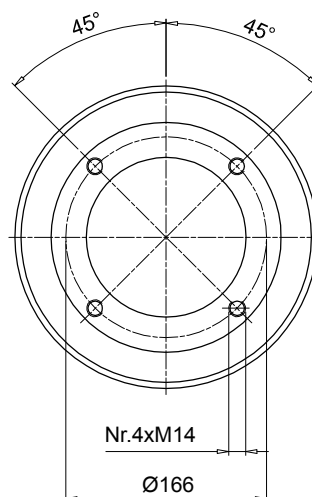
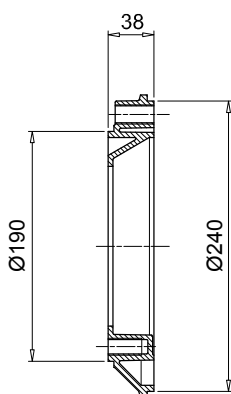
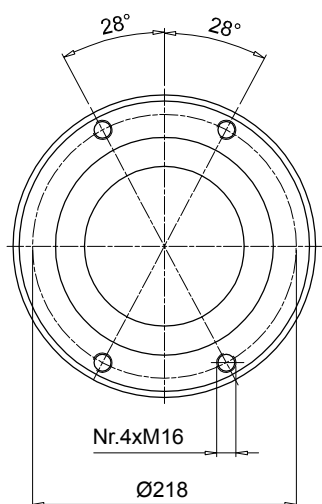
Example: **FP6032S021**

Flange interface

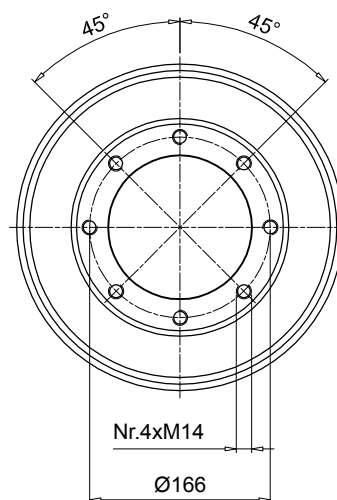
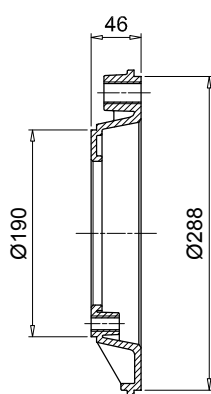
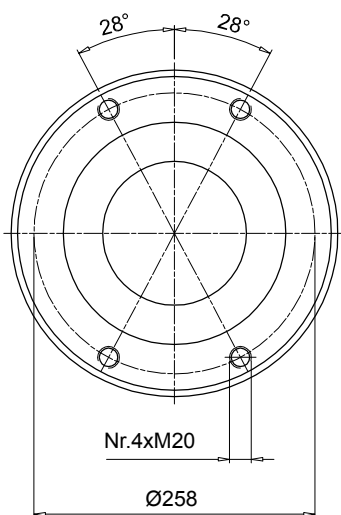
Motor base interface



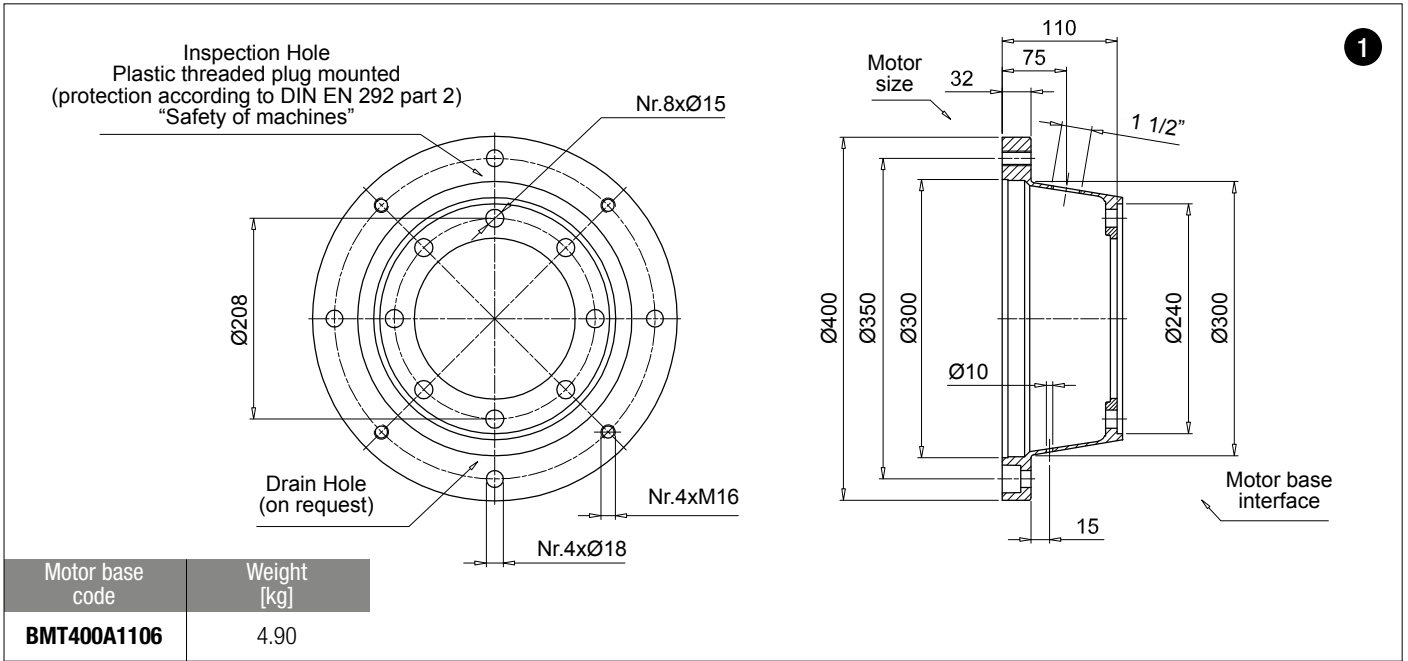
Code	Weight [kg]
AD50385	1.00



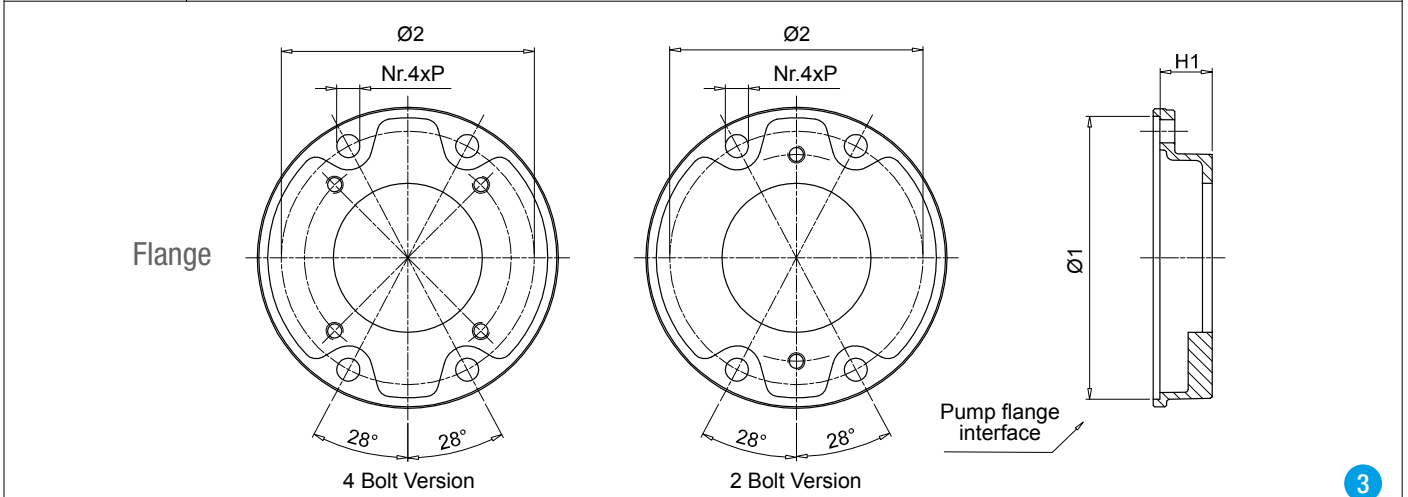
Code	Weight [kg]
AD50386	1.25



Code	Weight [kg]
AD50467	1.90



1



3

The codes on the chart must be used for dimensional checking only; the ordering codes for all components are available on the on-line software "Power Transmission Software" on the web site www.mpfiltr.com

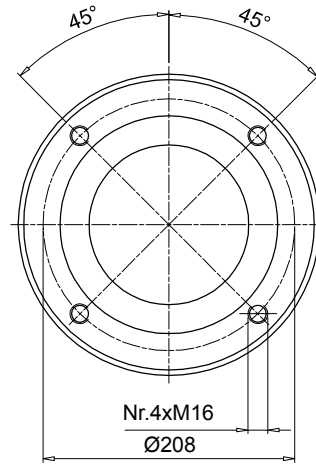
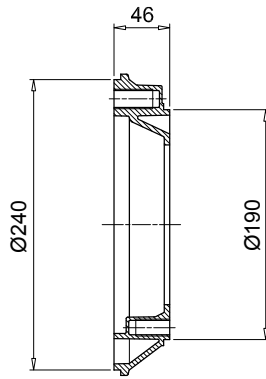
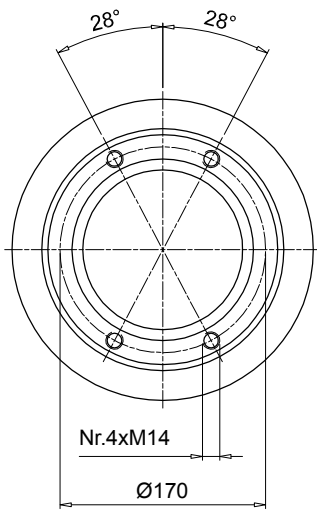
Pump flange code	H1	Ø1	Ø2	P	Mounting kit	Available pump interface		Weight [kg]
						2 Bolt	4 Bolt	
FP5026***	26				KVG5 See page 111	S023 - D042 - S063 - S070 - S072 S075	S024 - S024 - S033 - S125 - S154	1
FP5032***	32					-	S024 - S031 - S096 - S125	1.1
FP5035***	35					S023 - D042 - S063 - S070 - S072 - S075 - S060 - S072 - S074 - S075 - S106	S021 - S024 - S025 - S026 - S031 - S059 - S068 - S083 - S097 - S125 - S141	0.9
FP5045***	45					S060 - S070 - S071 - S072 - S074 - S075 - S106	S021 - S024 - S025 - S026 - S068 - S125 - S141	0.9
FP5056***	56	190	170	15		S072	S021 - S026	1.6
FP5063***	63					S070 - S079 - S138	S021 - S025 - S068 - S141	1.7
FP5091***	91					-	S025 - S031 - S033 - S113 - S267	2.2
FP6032***	32				KVG6 See page 111	S081 - S082	S021 - S035	1.8
FP6045***	45					S070 - S075 - S080 - S081 - S082	S021 - S025 - S026 - S027 - S069 - S077 - S125 - S198 - S207 - S215 - S253	2.1
FP6058***	58					S079 - S080 - S081 - S082	S025 - S026 - S027 - S038 - S077 - S078 - S207 - S215 - S237	2.4
FP6070***	70					S080	-	3.0
FP6082***	82	240	218	17		S080 - S081	S038 - S141 - 198 - 215	3.3
FP6086***	86					S090 - S092 - S166 - S091	S021 - S026 - S027 - S077 - S078 - S114 - S132 - 198 - S200	3.4
FP6101***	101					-	S027 - S035 - S113 - S132 - S148 - S176 - S228	4.2
FP6110***	110					S080	S111	5.5
FP7052***	52				KVG7 See page 111	-	S028 - S108 - S112 - S133 - S192	4.4
FP7066***	66					S090 - S092 - S166	-	4.8
FP7069***	69	288	258	22		-	S108 - S143 - S148 - S192 - S201 - S204 - S281 - S282	4.9
FP7086***	86					S091 - S092 - S117 - S166	S022 - S027 - S028 - S108 - S112 - S184 - S192 - S201 - S228 - S300	5.2
FP7111***	111					S091 - S092 - S117 - S145	S028 - S108 - S112 - S133 - S184	6.3

Pump flange code to be complete with available pump interface

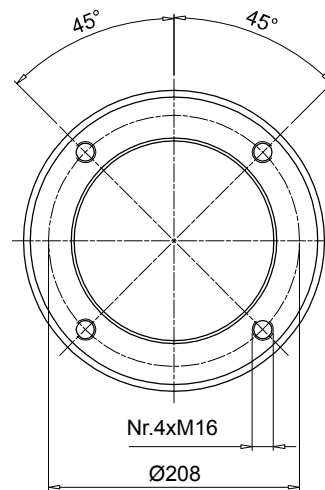
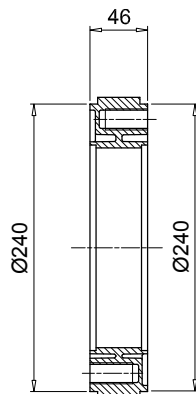
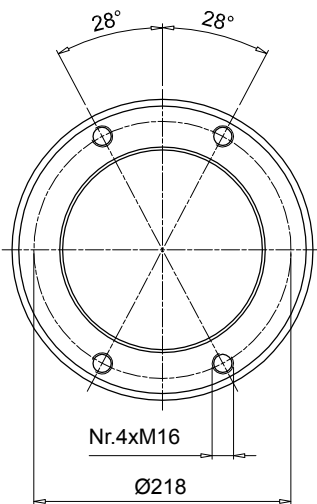
Example: **FP6032S021**

Flange interface

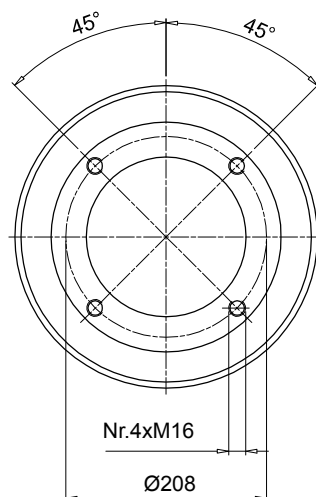
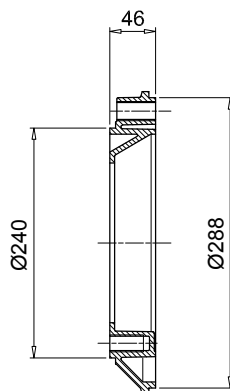
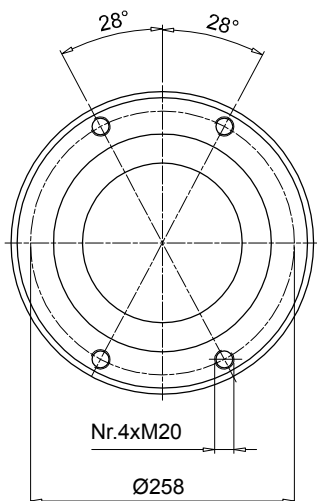
Motor base interface



Code	Weight [kg]
AD60465	1.30

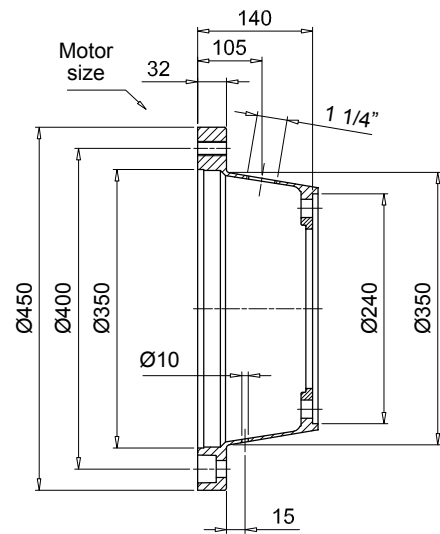
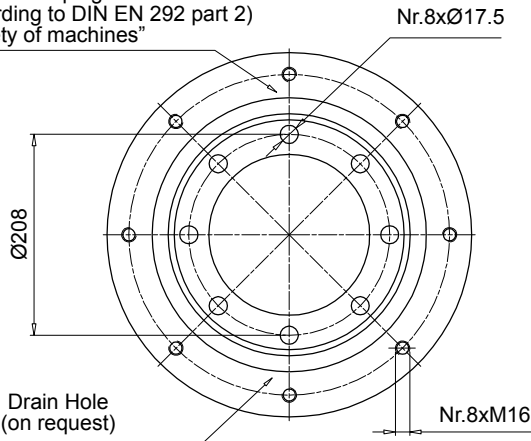


Code	Weight [kg]
AD60466	1.60



Code	Weight [kg]
AD60467	2.50

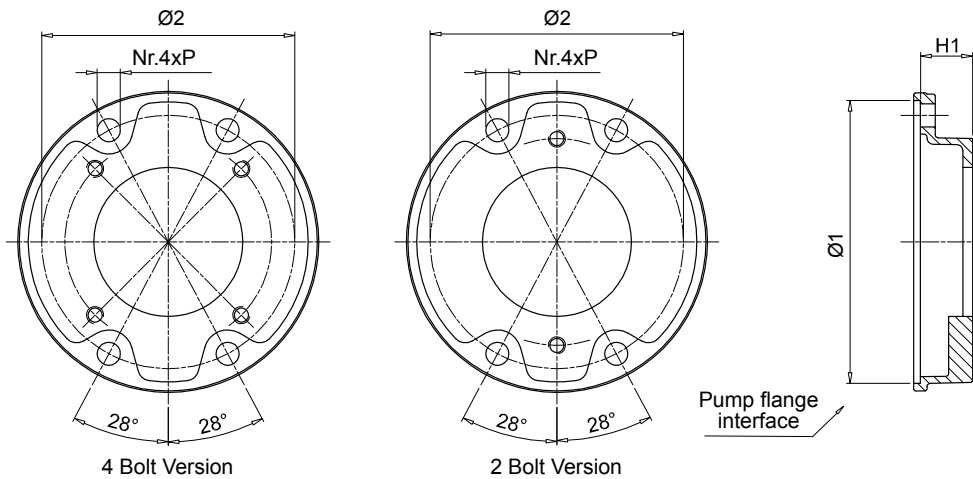
Inspection Hole
Plastic threaded plug mounted
(protection according to DIN EN 292 part 2)
"Safety of machines"



1

Motor base code	Weight [kg]
BMT450A1406	5.00

Flange



3

The codes on the chart must be used for dimensional checking only; the ordering codes for all components are available on the on-line software "Power Transmission Software" on the web site www.mpfiltri.com

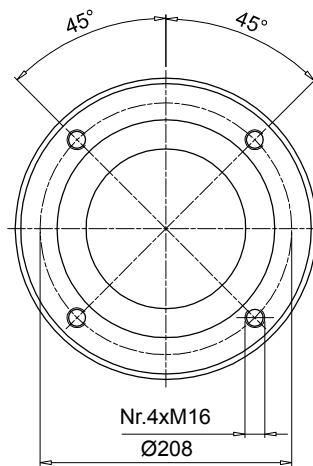
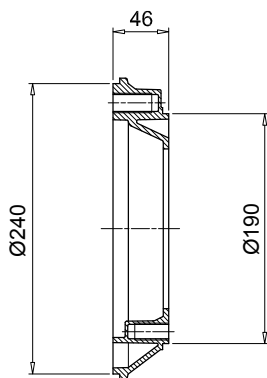
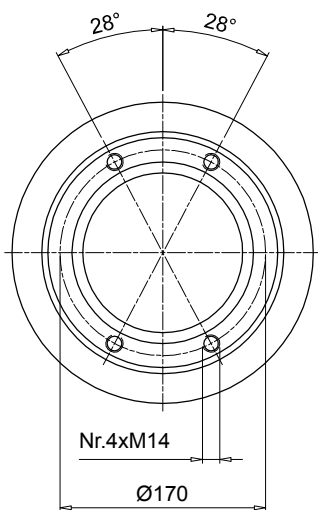
Pump flange code	H1	Ø1	Ø2	P	Mounting kit	Available pump interface		Weight [kg]
						2 Bolt	4 Bolt	
FP5026***	26				KVG5 See page 111	S023 - D042 - S063 - S070 - S072 S075	S024 - S024 - S033 - S125 - S154	1.0
FP5032***	32					-	S024 - S031 - S096 - S125	1.1
FP5035***	35					S023 - D042 - S063 - S070 - S072 - S075 - S060 - S072 - S074 - S075 - S106	S021 - S024 - S025 - S026 - S031 - S059 - S068 - S083 - S097 - S125 - S141	0.9
FP5045***	45					S060 - S070 - S071 - S072 - S074 - S075 - S106	S021 - S024 - S025 - S026 - S068 - S125 - S141	0.9
FP5056***	56	190	170	15		S072	S021 - S026	1.6
FP5063***	63					S070 - S079 - S138	S021 - S025 - S068 - S141	1.7
FP5091***	91				-	S025 - S031 - S033 - S113 - S267	2.2	
FP6032***	32				KVG6 See page 111	S081 - S082	S021 - S035	1.8
FP6045***	45					S070 - S075 - S080 - S081 - S082	S021 - S025 - S026 - S027 - S069 - S077 - S125 - S198 - S207 - S215 - S253	2.1
FP6058***	58					S079 - S080 - S081 - S082	S025 - S026 - S027 - S038 - S077 - S078 - S207 - S215 - S237	2.4
FP6070***	70	240	218	17		S080	-	3.0
FP6082***	82					S080 - S081	S038 - S141 - 198 - 215	3.3
FP6086***	86					S090 - S092 - S166 - S091	S021 - S026 - S027 - S077 - S078 - S114 - S132 - 198 - S200	3.4
FP6101***	101					-	S027 - S035 - S113 - S132 - S148 - S176 - S228	4.2
FP6110***	110					S080	S111	5.5
FP7052***	52				KVG7 See page 111	-	S028 - S108 - S112 - S133 - S192	4.4
FP7066***	66					S090 - S092 - S166	-	4.8
FP7069***	69	288	258	22		-	S108 - S143 - S148 - S192 - S201 - S204 - S281 - S282	4.9
FP7086***	86					S091 - S092 - S117 - S166	S022 - S027 - S028 - S108 - S112 - S184 - S192 - S201 - S228 - S300	5.2
FP7111***	111					S091 - S092 - S117 - S145	S028 - S108 - S112 - S133 - S184	6.3

Pump flange code to be complete with available pump interface

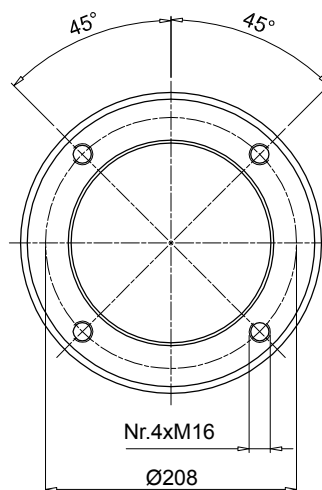
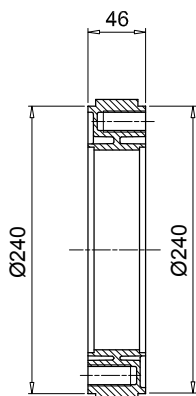
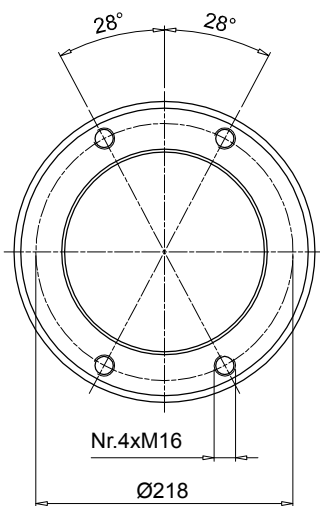
Example: **FP6032S021**

Flange interface

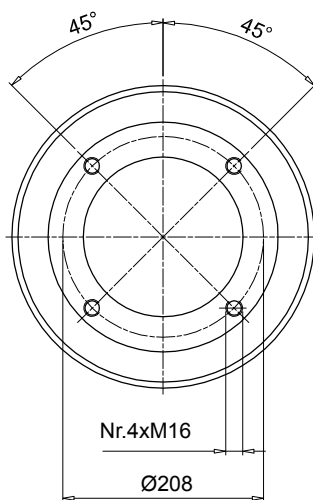
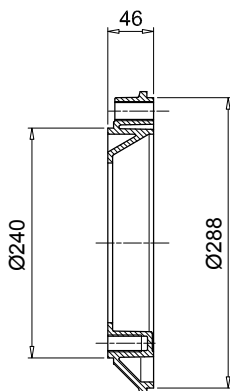
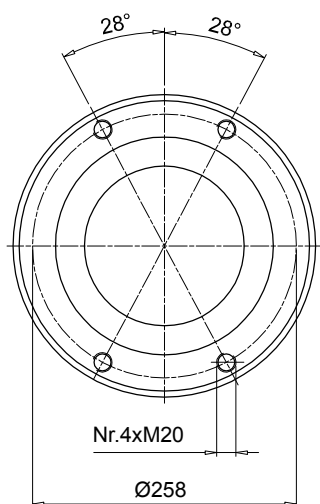
Motor base interface



Code	Weight [kg]
AD60465	1.30



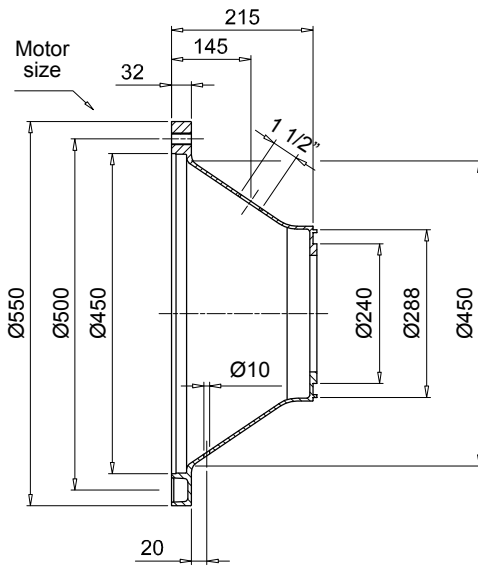
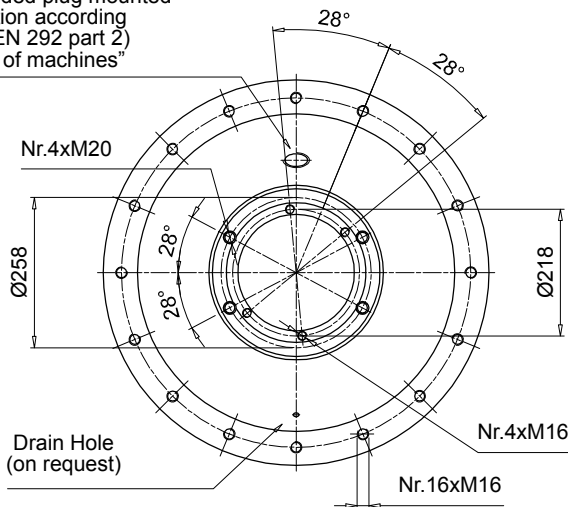
Code	Weight [kg]
AD60466	1.60



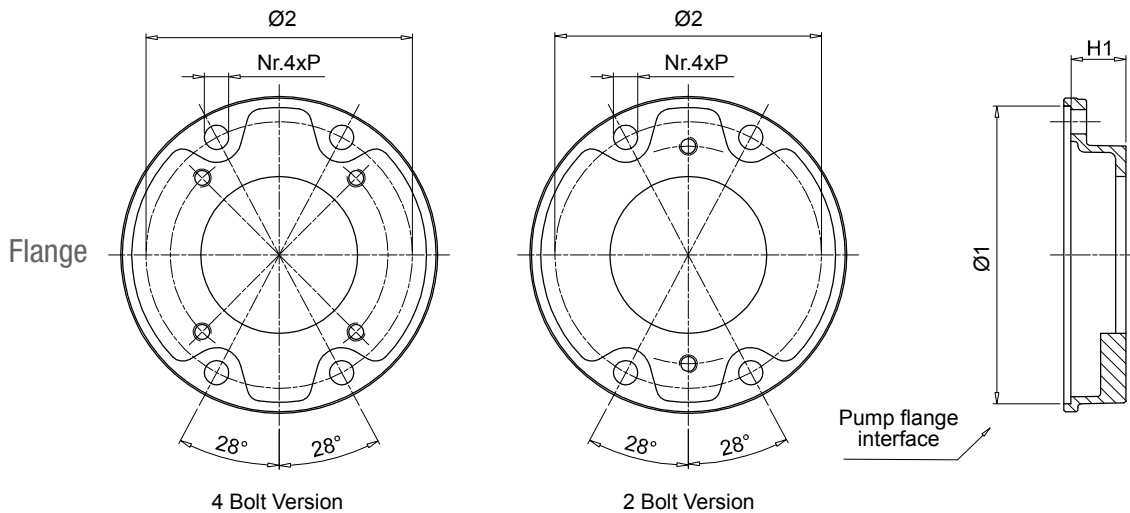
Code	Weight [kg]
AD60467	2.50

1

Inspection Hole
Plastic threaded plug mounted
(protection according
to DIN EN 292 part 2)
"Safety of machines"



Motor base code	Weight [kg]
BMT550A21567	8.80



The codes on the chart must be used for dimensional checking only; the ordering codes for all components are available on the on-line software "Power Transmission Software" on the web site www.mpfiltri.com

3

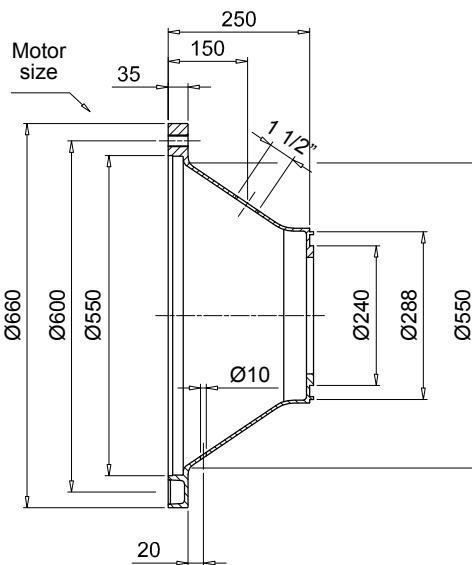
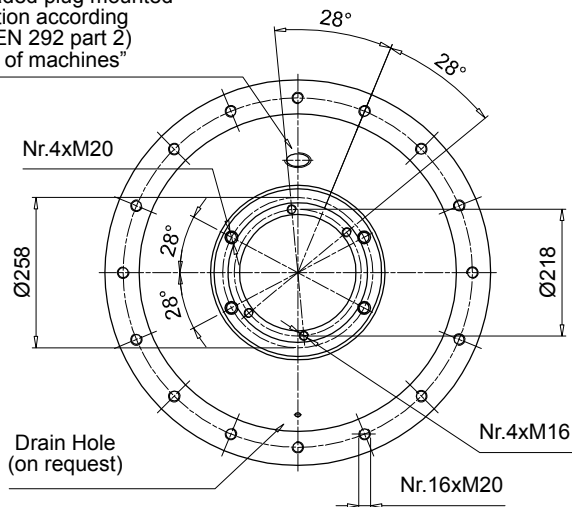
Pump flange code	H1	Ø1	Ø2	P	Mounting kit	Available pump interface		Weight [kg]
						2 Bolt	4 Bolt	
FP6032***	32				KVG6 See page 111	S081 - S082	S021 - S035	1.8
FP6045***	45			S070 - S075 - S080 - S081 - S082		S021 - S025 - S026 - S027 - S069 - S077 - S125 - S198 - S207 - S215 - S253	2.1	
FP6058***	58			S079 - S080 - S081 - S082		S025 - S026 - S027 - S038 - S077 - S078 - S207 - S215 - S237	2.4	
FP6070***	70	240	218	S080		-	3.0	
FP6082***	82			S080 - S081		S038 - S141 - 198 - 215	3.3	
FP6086***	86			S090 - S092 - S166 - S091		S021 - S026 - S027 - S077 - S078 - S114 - S132 - 198 - S200	3.4	
FP6101***	101			-		S027 - S035 - S113 - S132 - S148 - S176 - S228	4.2	
FP6110***	110			S080	S111	5.5		
FP7052***	52				KVG7 See page 111	-	S028 - S108 - S112 - S133 - S192	4.4
FP7066***	66			S090 - S092 - S166		-	4.8	
FP7069***	69	288	258	-		S108 - S143 - S148 - S192 - S201 - S204 - S281 - S282	4.9	
FP7086***	86			S091 - S092 - S117 - S166		S022 - S027 - S028 - S108 - S112 - S184 - S192 - S201 - S228 - S300	5.2	
FP7111***	111			S091 - S092 - S117 - S145		S028 - S108 - S112 - S133 - S184	6.3	

Pump flange code to be complete with available pump interface

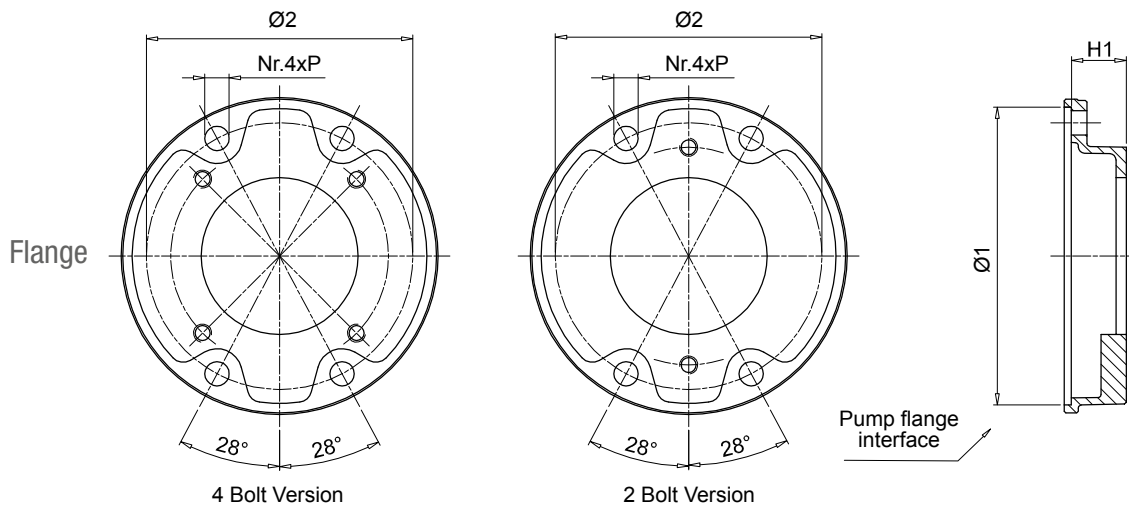
Example: **FP6032S021**

1

Inspection Hole
Plastic threaded plug mounted
(protection according
to DIN EN 292 part 2)
"Safety of machines"



Motor base code	Weight [kg]
BMT660A25067	12.00



The codes on the chart must be used for dimensional checking only; the ordering codes for all components are available on the on-line software "Power Transmission Software" on the web site www.mpfiltri.com

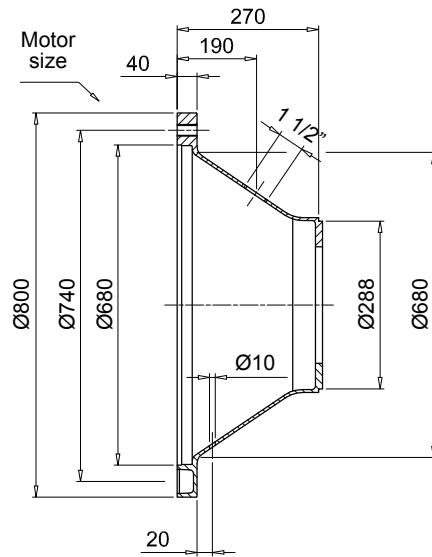
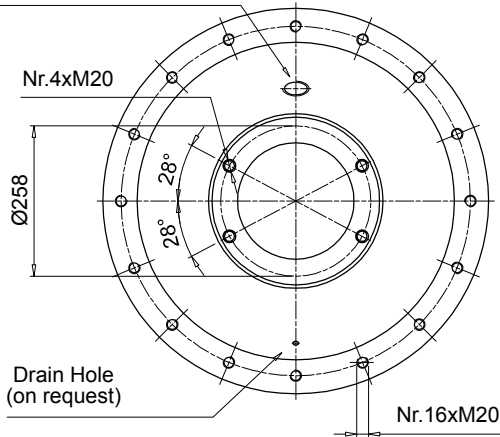
3

Pump flange code	H1	Ø1	Ø2	P	Mounting kit	Available pump interface		Weight [kg]
						2 Bolt	4 Bolt	
FP6032***	32	240	218	17	KVG6 See page 111	S081 - S082	S021 - S035	1.8
FP6045***	45					S070 - S075 - S080 - S081 - S082	S021 - S025 - S026 - S027 - S069 - S077 - S125 - S198 - S207 - S215 - S253	2.1
FP6058***	58					S079 - S080 - S081 - S082	S025 - S026 - S027 - S038 - S077 - S078 - S207 - S215 - S237	2.4
FP6070***	70					S080	-	3.0
FP6082***	82					S080 - S081	S038 - S141 - 198 - 215	3.3
FP6086***	86					S090 - S092 - S166 - S091	S021 - S026 - S027 - S077 - S078 - S114 - S132 - 198 - S200	3.4
FP6101***	101					-	S027 - S035 - S113 - S132 - S148 - S176 - S228	4.2
FP6110***	110	S080	S111	5.5				
FP7052***	52	288	258	22	KVG7 See page 111	-	S028 - S108 - S112 - S133 - S192	4.4
FP7066***	66					S090 - S092 - S166	-	4.8
FP7069***	69					-	S108 - S143 - S148 - S192 - S201 - S204 - S281 - S282	4.9
FP7086***	86					S091 - S092 - S117 - S166	S022 - S027 - S028 - S108 - S112 - S184 - S192 - S201 - S228 - S300	5.2
FP7111***	111					S091 - S092 - S117 - S145	S028 - S108 - S112 - S133 - S184	6.3

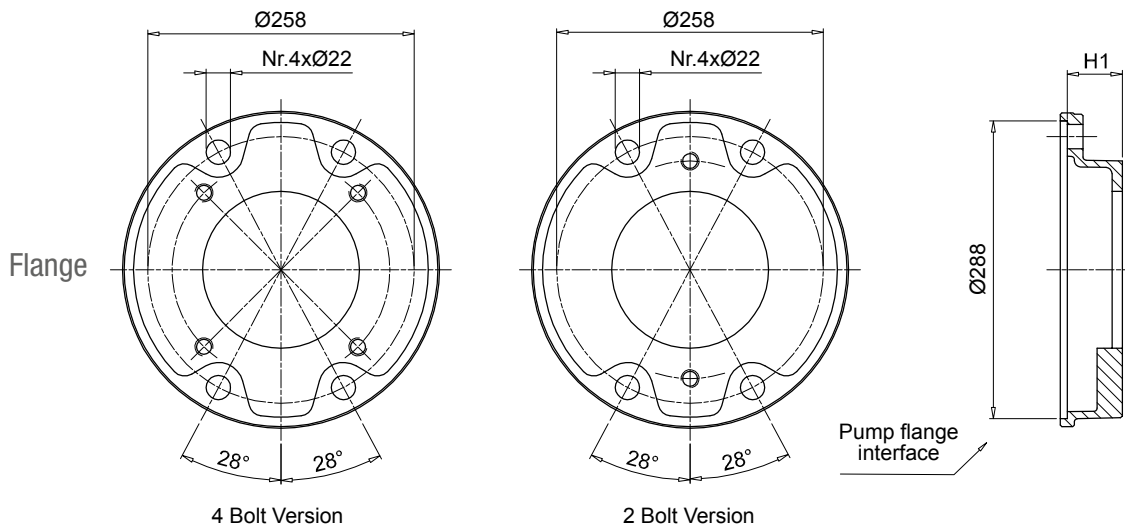
Pump flange code to be complete with available pump interface
Example: **FP6032S021**

1

Inspection Hole
Plastic threaded plug mounted
(protection according to DIN EN 292 part 2)
"Safety of machines"



Motor base code	Weight [kg]
BAD800A2707	31.00



The codes on the chart must be used for dimensional checking only; the ordering codes for all components are available on the on-line software "Power Transmission Software" on the web site www.mpfiltri.com

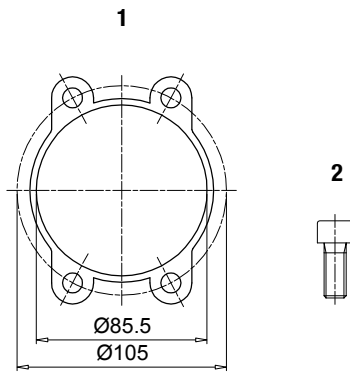
3

Pump flange code	H1	Ø1	Ø2	P	Mounting kit	Available pump interface		Weight [kg]
						2 Bolt	4 Bolt	
FP7052***	52				-	S028 - S108 - S112 - S133 - S192		4.4
FP7066***	66				KVG7	S090 - S092 - S166	-	4.8
FP7069***	69	288	258	22	See page 111	-	S108 - S143 - S148 - S192 - S201 - S204 - S281 - S282	4.9
FP7086***	86					S091 - S092 - S117 - S166 -	S022 - S027 - S028 - S108 - S112 - S184 - S192 - S201 - S228 - S300	5.2
FP7111***	111					S091 - S092 - S117 - S145	S028 - S108 - S112 - S133 - S184	6.3

Pump flange code to be complete with available pump interface

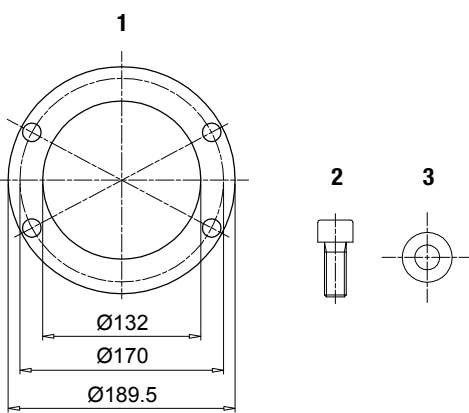
Example: **FP7052S028**

KVG1



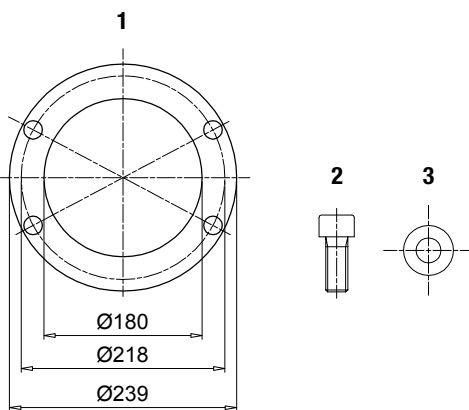
Components				
Item	Description	Q.ty	Material	Torque
1	Gasket for auxiliary flange FR1	1	Paper	-
2	Screw T.C.E.I. M8x20 UNI-5931 8.8	4	Steel	15 Nm

KVG5



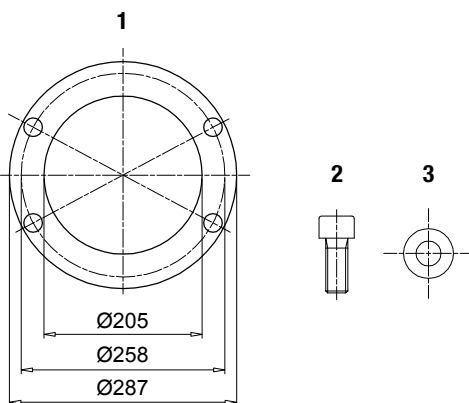
Components				
Item	Description	Q.ty	Material	Torque
1	Gasket for auxiliary flange FP5 / AD5	1	Paper	-
2	Screw T.C.E.I. M14x35 UNI-5931 8.8	4	Steel	90 Nm
3	Washer Schnorr 14	4	Steel	-

KVG6



Components				
Item	Description	Q.ty	Material	Torque
1	Gasket for auxiliary flange FP6 / AD6	1	Paper	-
2	Screw T.C.E.I. M16x35 UNI-5931 8.8	4	Steel	130 Nm
3	Washer Schnorr 16	4	Steel	-

KVG7



Components				
Item	Description	Q.ty	Material	Torque
1	Gasket for auxiliary flange FP7 / AD7	1	Paper	-
2	Screw T.C.E.I. M20x50 UNI-5931 8.8	4	Steel	200 Nm
3	Washer Schnorr 20	4	Steel	-

LME series

Engine power range from 3 to 13.5 HP



Technical data

Bell-housing - Engine power range from 3 to 13.5 HP

Materials

- Bell-housing: Pressure die casting Aluminium
- Gasket: Special paper - Guarnital

Versions:

- Single-drilled bell-housing for pump group 1 or 2, with pump centering ring included (see pages 116 - 117).
- Bell-housing with Multi -Drilling machined for group 1 and 2 pump, with pump centering ring to be ordered separately (see page 118).

Compatibility with fluids

Bell-housing components compatible for use with:

- Mineral oils types HH-HL-HM-HR-HV, to ISO 6743/4 standard
- Water based emulsions types HFAE-HFAS, to ISO 6743/4 standard
- Water glycol type HFC, to ISO 6743/4 standard: ask for anodized version

Special Applications

Any applications not covered by the normal indications contained in this catalogue must be evaluated and approved by MP Filtri Technical and Sales Department.

In order to ensure maximum reliability of the application, endothermic motor combinations include the exclusive use of elastic Spider made of Polyurethane 95 Shore A (see page 120).

Temperature

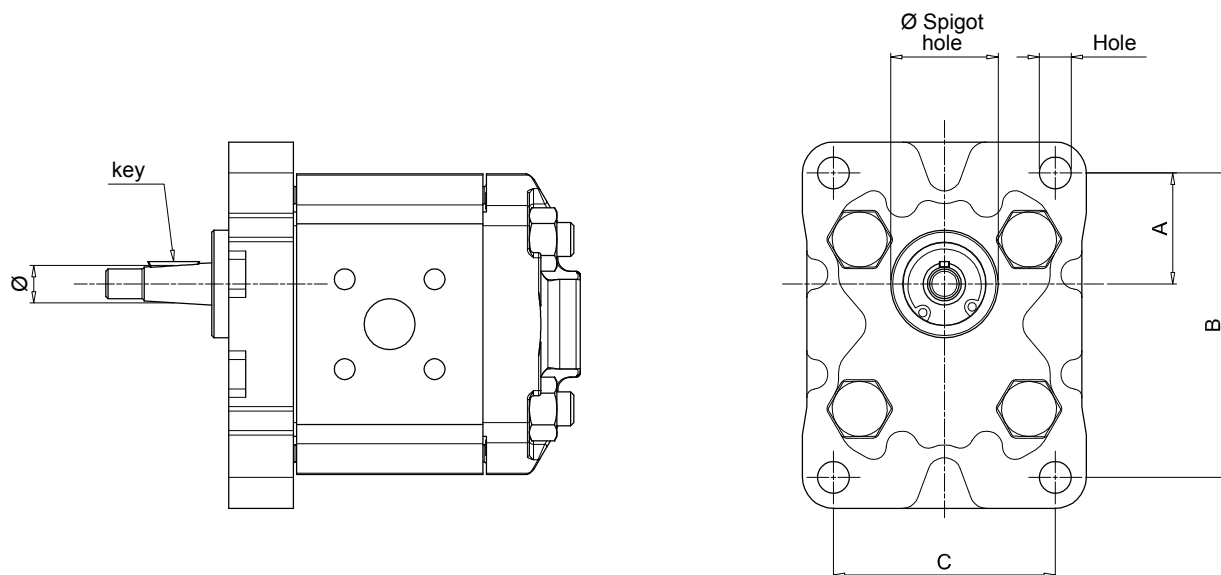
From -30 °C to +80 °C

Note

For temperatures outside this range, contact MP Filtri Technical and Sales Department

Our bell-housings are available for flanges standard according to the SAE standard.

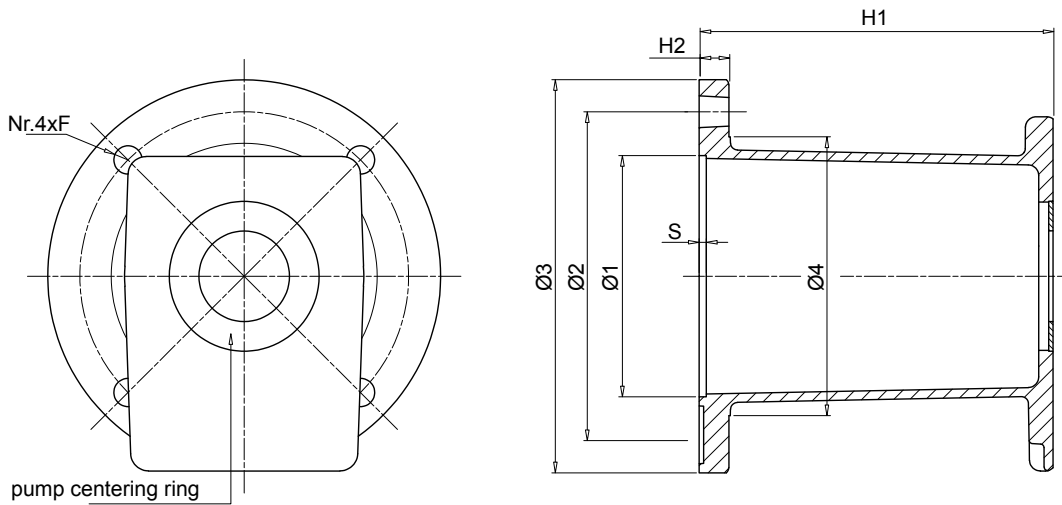
Designation of pump flange and shaft



Pump group	Ø Spigot hole	Dimensions				Pump flange code	Ø	Key	Shaft type	Pump half-coupling code
		A	B	C	Hole					
05	22.0	25.5	66.0	-	M6	FS05M	6.0	2.0	parallel	FS05M
	22.0	25.5	66.0	-	M6	FS05C	7.0	2.0	parallel	FS05C
1	25.4	26.2	72.0	52.0	M6	FS100	9.7	2.4	tapered 1:8	FS100
	30.0	24.5	73.0	56.0	M6	FS1M0	12.0	3.0	parallel	FS1C0
	30.0	24.5	73.0	56.0	M6	FS1M0	13.9	3.0	tapered 1:8	FS1M0
2	36.5	32.5	96.0	71.5	M8	FS200	17.2	3.2 - 4	tapered 1:8	FS200

Dimensions

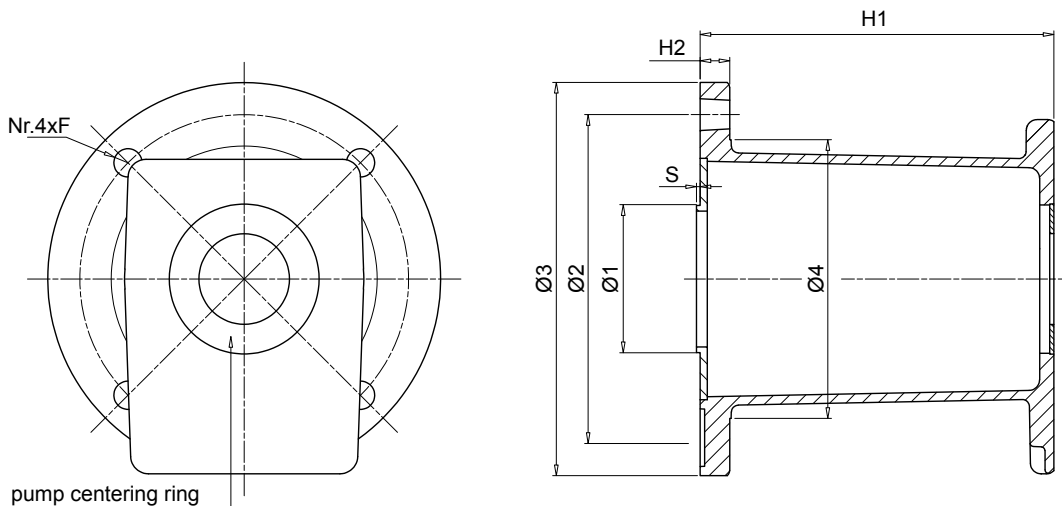
Combinations for Endothermic engine 3 - 5.5 Hp



Dimensions [mm]								Weight [kg]
Ø1	Ø2	Ø3	Ø4	H1	H2	S	F	
67.5	92	110	78	99	8	3	8	0.5

Female centering Ø 67.5 - Gear pumps

Power Kw Hp		Shaft end	Pump code	Bell-Housing code	SG code motor side	Spider code	SG code pump side	Spigot hole
2.2-4	3-5.5	Ø 18 - Key 5 ISO 3019-2-E	FS100	LME110T099FS100	SGEA01C05056P10	EGE0RR	SGEA01FS100P10	ANCA002
			FS1M0	LME110T099FS1M0	SGEA01C05056P10	EGE0RR	SGEA01FS1M0P10	ANCA003
2.2-4	3-5.5	Ø 19.05 - Key 4.76 SAE straight shaft	FS100	LME110T099FS100	SGEA01G01056P10	EGE0RR	SGEA01FS100P10	ANCA002
			FS1M0	LME110T099FS1M0	SGEA01G01056P10	EGE0RR	SGEA01FS1M0P10	ANCA003



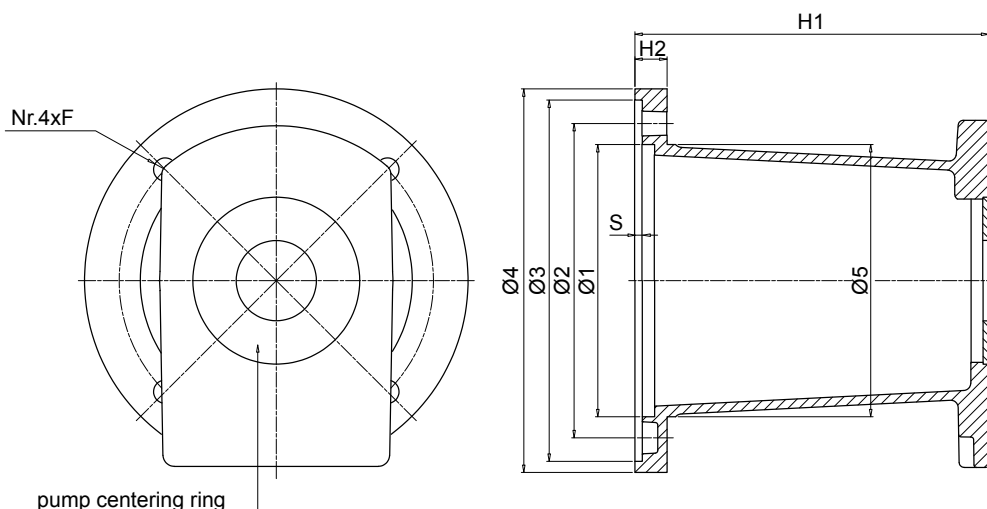
Dimensions [mm]								Weight [kg]
Ø1	Ø2	Ø3	Ø4	H1	H2	S	F	
41.2	92	110	78	99	8	3	8	0.5

Male centering ring Ø 41.2 - Gear pumps

Power Kw Hp		Shaft end	Pump code	Bell-Housing code	SG code motor side	Spider code	SG code pump side	Spigot hole
2.2-4	3-5.5	Ø 18 - Key 5 ISO 3019-2-E	FS100	LME110T099FS100MM	SGEA01C05056P10	EGE0RR	SGEA01FS100P10	ANCA002
			FS1M0	LME110T099FS1M0MM	SGEA01C05056P10	EGE0RR	SGEA01FS1M0P10	ANCA003
2.2-4	3-5.5	Ø 19.05 - Key 4.76 SAE straight shaft	FS100	LME110T099FS100MM	SGEA01G01056P10	EGE0RR	SGEA01FS100P10	ANCA002
			FS1M0	LME110T099FS1M0MM	SGEA01G01056P10	EGE0RR	SGEA01FS1M0P10	ANCA003

NOTE: Pump side centering rings are included in the bellhousing

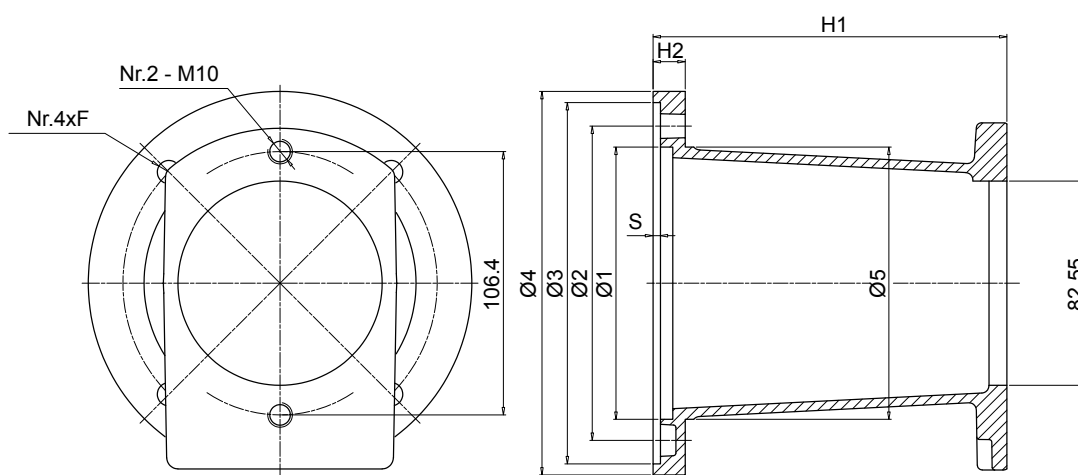
Combinations for Endothermic engine 7 - 18 Hp



Dimensions [mm]									Weight [kg]
Ø1	Ø2	Ø3	Ø4	Ø5	H1	H2	S	F	
110	127	146	155	110	143	13	3	10	1.0

Gear pumps

Power Kw	Hp	Shaft end	Pump code	Bell-Housing code	SG code motor side	Spider code	SG code pump side	Spigot hole
5-13.5	7-18	Ø 25 - Key 7 ISO 3019-2-E	FS100	LME155T140FS100	SGEA21E06076P10	EGE2RR	SGEA21FS100P10	ANCC002
			FS1C0	LME155T140FS1M0	SGEA21E06076P10	EGE2RR	SGEA21FS1C0P10	ANCC003
			FS1M0	LME155T140FS1M0	SGEA21E06076P10	EGE2RR	SGEA21FS1M0P10	ANCC003
			FS200	LME155T140FS200	SGEA21E06076P10	EGE2RR	SGEA21FS200P10	ANCC004
		Ø 25.4 - Key 6.35 SAE straight shaft	FS100	LME155T140FS100	SGEA21G040762FP10	EGE2RR	SGEA21FS100P10	ANCC002
			FS1C0	LME155T140FS1M0	SGEA21G040762FP10	EGE2RR	SGEA21FS1C0P10	ANCC003
			FS1M0	LME155T140FS1M0	SGEA21G040762FP10	EGE2RR	SGEA21FS1M0P10	ANCC003
			FS200	LME155T140FS200	SGEA21G040762FP10	EGE2RR	SGEA21FS200P10	ANCC004



Dimensions[mm]									Weight [kg]
Ø1	Ø2	Ø3	Ø4	Ø5	H1	H2	S	F	
110	127	146	155	110	143	13	3	10	1.0

Pump SAE A 2 BOLT

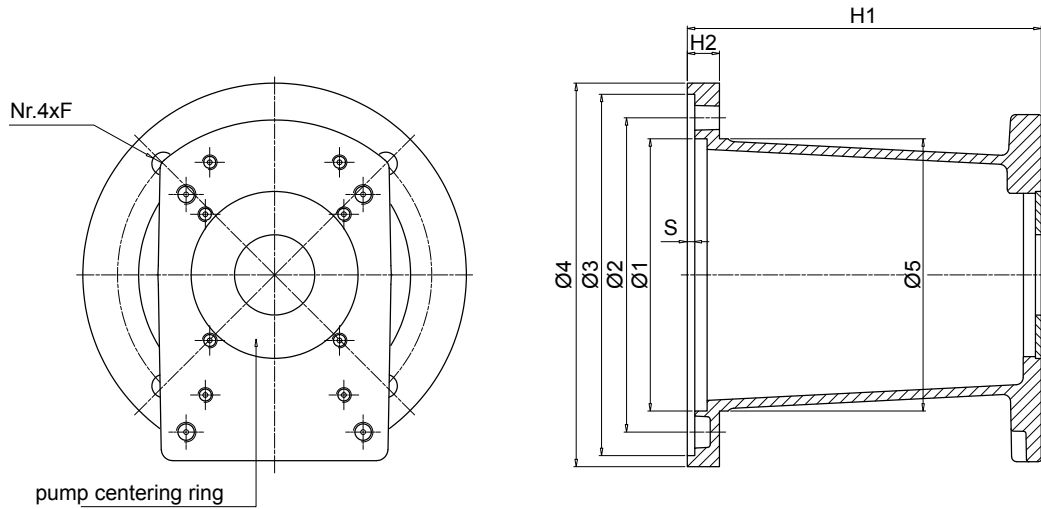
Power Kw	Hp	Shaft end	Pump code	Bell-Housing code	SG code motor side	Spider code	SG code pump side	Spigot hole
5-13.5	7-18	Ø 25 - Key 7 ISO 3019-2-E	SAE A 2 BOLT	LME155T140S060	SGEA21E06076P10	EGE2RR	SGEA21G01030P10	-
		Ø 25.4 - Key 6.35 SAE straight shaft	SAE A 2 BOLT	LME155T140S060	SGEA21G040762FP10	EGE2RR	SGEA21G01030P10	-

NOTE: Pump side centering rings are included in the bellhousing

Dimensions

Combinations for Endothermic engine 7 - 18 Hp

BELL-HOUSING MULTI-DRILLING FOR GROUP 1 AND 2



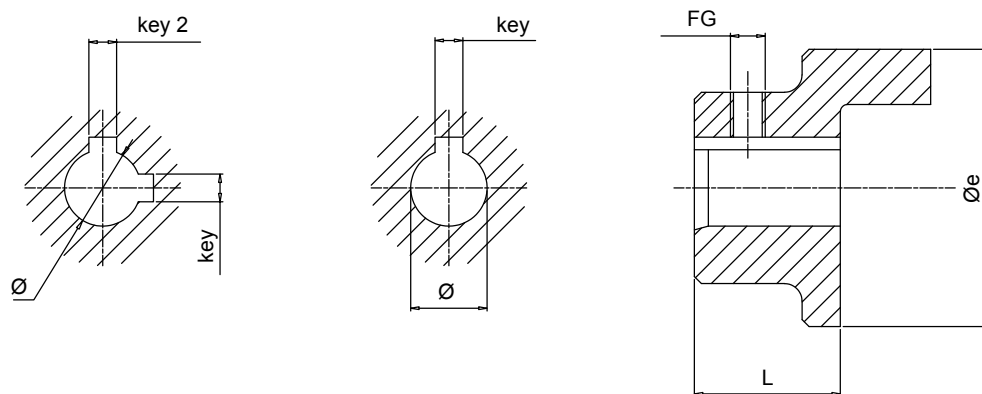
Dimensions [mm]										Weight [kg]
Ø1	Ø2	Ø3	Ø4	Ø5	H1	H2	S	F		
110	127	146	155	110	143	13	3	10		1.0

Gear pumps

Power Kw	Power Hp	Shaft end	Pump code	Bell-Housing code	SG code motor side	Spider code	SG code pump side	Spigot hole
5-13.5	7-18	Ø 25 - Key 7 ISO 3019-2-E	FS100 +	LME155T140FS100M3	SGEA21E06076P10	EGE2RR	SGEA21FS100P10	ANCC002
			FS1C0 +	LME155T140FS100M3	SGEA21E06076P10	EGE2RR	SGEA21FS1C0P10	ANCC003
			FS1M0 +	LME155T140FS100M3	SGEA21E06076P10	EGE2RR	SGEA21FS1M0P10	ANCC003
			FS200	LME155T140FS100M3	SGEA21E06076P10	EGE2RR	SGEA21FS200P10	ANCC004
		Ø 25.4 - Key 6.35 SAE straight shaft	FS100 +	LME155T140FS100M3	SGEA21G040762FP10	EGE2RR	SGEA21FS100P10	ANCC002
			FS1C0 +	LME155T140FS100M3	SGEA21G040762FP10	EGE2RR	SGEA21FS1C0P10	ANCC003
			FS1M0 +	LME155T140FS100M3	SGEA21G040762FP10	EGE2RR	SGEA21FS1M0P10	ANCC003
			FS200	LME155T140FS100M3	SGEA21G040762FP10	EGE2RR	SGEA21FS200P10	ANCC004

NOTE: Pump side centering rings are not included in the bellhousing

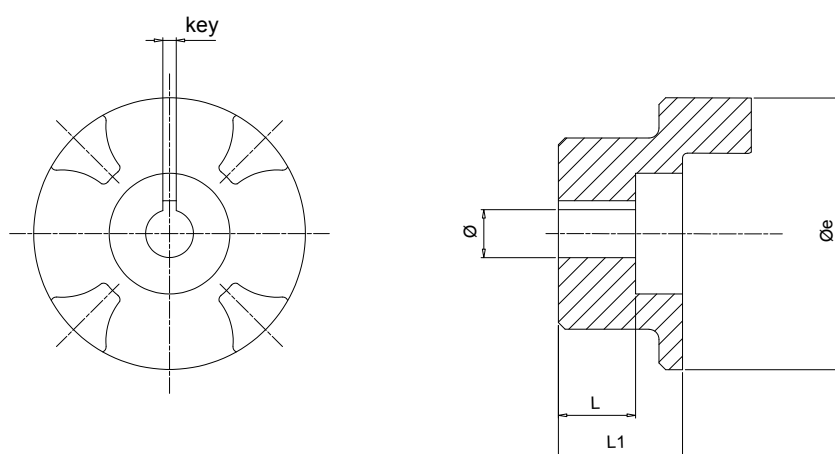
Motor half-coupling



Half-coupling code	Dimensions [mm]						Weight [kg]
	Øe	L	Ø	Key	Key 2	FG	
SGEA01C05056P10	40	56	18.00	5.00	6.00	M5	0.13
SGEA01G01056P10	40	56	19.05	4.76	-	M5	0.13
SGEA21E06076P10	65	76	25.00	7.00	-	M6	0.35
SGEA21G040762FP10	65	76	25.40	4.76	6.35	M6	0.35

NOTE: Double key version pump side only

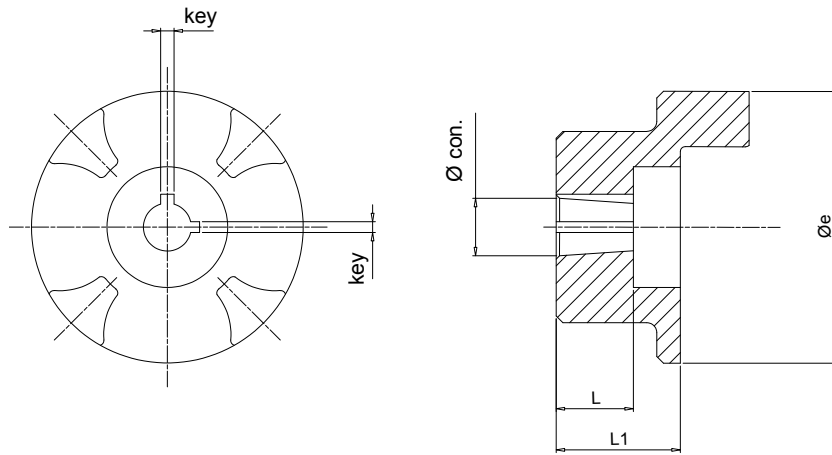
Half-coupling for gear pumps



Half-coupling code	Dimensions [mm]						Weight [kg]
	Øe	L	L1	Ø	Key		
SGEA01FS05CP10	40	10.0	17.0	7	2	0.08	
SGEA01FS1COP10	40	-	17.0	12	3	0.13	
SGEA21FS1COP10	65	14.5	21.5	12	3	0.48	

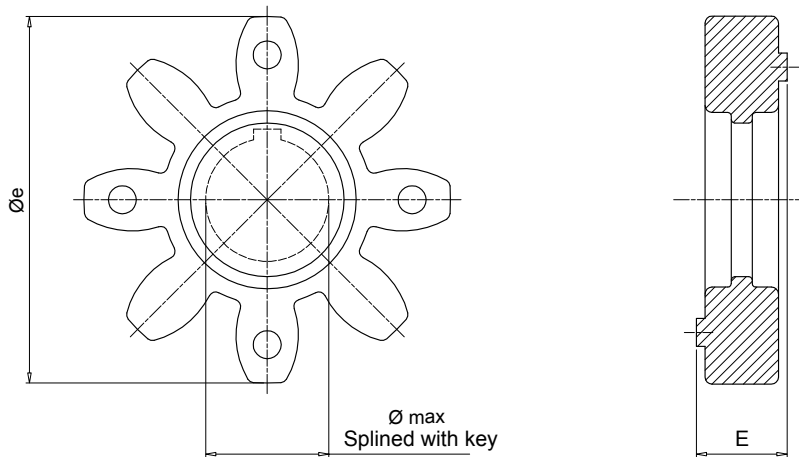
Dimensions

Half-coupling for gear pumps



Half-coupling code	Øe	L	Dimensions [mm]			Key	Weight [kg]	Tapered
			L1	Ø				
SGEA01FS100P10	40	14.5	16.0	9.7	2.4	0.12	1:8	
SGEA01FS1MOP10	40	16.0	16.0	13.9	3.0	0.30	1:8	
SGEA21FS100P10	65	14.5	21.5	9.7	2.4	0.33	1:8	
SGEA21FS1MOP10	65	18.5	21.5	13.9	3.0	0.78	1:8	
SGEA21FS200P10	65	21.5	21.5	17.2	3.2 - 4	1.60	1:8	

Spider EGE**RR series



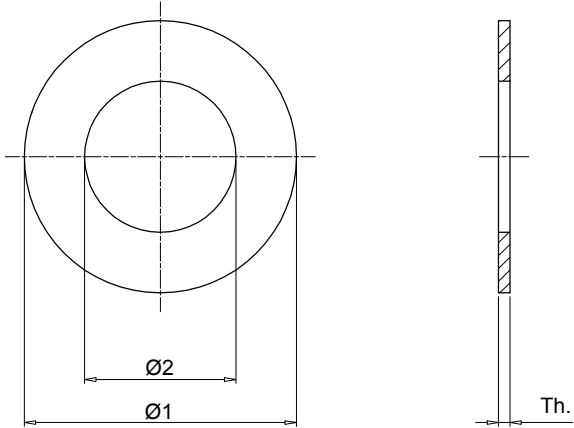
Notes:

Made in polyurethane Laripur LPR202-95A, red colour, are suitable for applications where high levels of torque are transmitted.

Code	Half-coupling code	E	Dimensions [mm]		Nominal torque Nm	Max torque Nm	Weight [kg]
			Øe	Ø max			
EGE0RR	SGEA01	15	40	16	15	30	0.006
EGE2RR	SGEA21	18	65	25	115	230	0.02

Version for extreme temperatures available on request.
For further information, contact MP Filtri Technical and Sales Department.

Pump centering ring



Pump centering ring code	Dimensions [mm]		
	Ø1	Ø2	Sp.
ANCA002	50	25.4	1.0
ANCA003	50	30.0	1.0
ANCC002	67.5	25.4	2.0
ANCC003	67.5	30.0	2.0
ANCC004	67.5	36.5	2.0

Designation & Ordering code

COMPLETE KIT (BELL-HOUSING & COUPLINGS)

Configuration example: **AKA155** **G04** **FS200** **P10**

Endothermic engine identification code	
110	3 - 5.5 Hp
155	5.5 - 13.5 Hp

Shaft end codes	
C05	Ø18-Ch.5
G01	Ø19.05-Ch.4.76
E06	Ø25-Ch.7
G04	Ø25.4-Ch.4.76/6.35

Pump interface codes	
FS100	Gr. 1
FS1M0	Gr. 1M
FS200	Gr. 2
SAE A	2 BOLT

All data, details and words contained in this publication are provided for use by technically qualified personnel at their discretion, without warranty of any kind.

MP Filtri reserves the right to make modifications to the models and versions of the described products at any time for both technical and/or commercial reasons.

For updated information please visit our website: www.mpfiltri.com

The colors and the pictures of the products are purely indicative.

Any reproduction, partial or total, of this document is strictly forbidden.

All rights are strictly reserved

WORLDWIDE NETWORK

CANADA ♦ CHINA ♦ FRANCE ♦ GERMANY ♦ INDIA ♦ SINGAPORE
UNITED ARAB EMIRATES ♦ UNITED KINGDOM ♦ USA



PASSION  PERFORM

in   



mpfiltri.com
Scan or click me!

MP Filtri reserves the right to make modifications to the models and versions of the described products at any time for both technical and/or commercial reasons. For updated information please visit our website: www.mpfiltri.com. The colors and the pictures of the products are purely indicative. Any reproduction, partial or total, of this document is strictly forbidden. All rights are strictly reserved.

MF001000022
EN - 2025.03