

MPT series

Maximum working pressure up to 800 kPa (8 bar) - Flow rate up to 300 l/min



Description

Technical data

Return filter

Maximum working pressure up to 800 kPa (8 bar)
Flow rate up to 300 l/min

MPT is a range of return filters with integrated breather filter, for protection of the reservoir against the system contamination.

They are directly fixed to the reservoir, in immersed or semi-immersed position.

The filter output must be always immersed into the fluid to avoid aeration or foam generation into the reservoir.

Available features:

- Female threaded connections up to 1 1/4", for a maximum flow rate of 300 l/min
- Multiple connections, to connect several return lines or drains
- Fine filtration rating, to get a good cleanliness level into the reservoir
- Bypass valve integrated into the filter element, to relieve excessive pressure drop across the filter media
- 2, 3 or 6 fixing holes for installation, to suit a variety of reservoir surfaces
- O-ring or Flat Seal to suit a variety of reservoir surfaces
- Screw-in cover with a special shape, to allow the filter element replacement without the use of specific tools
- Oil dipstick, to easily check the level of the fluid into the reservoir (sold as separate item)
- Extension tube, to be used in deep reservoirs (sold as separate item)
- Diffuser, to reduce the risk of aeration, foaming and noise (sold as separate item)
- Integrated breather filter, to clean the air that moves into the reservoir as result of the oil level fluctuation
- Integrated breather filter with pressurization valve, to clean the air that moves into the reservoir as result of the oil level fluctuation and to guarantee the pressurization into the reservoir
- Visual, electrical and electronic clogging indicators

Common applications:

- Light industrial equipment
- Mobile application

Filter housing materials

- Head: Aluminium
- Cover: Polyamide
- Bowl: Polyamide

Bypass valve

- Opening pressure 175 kPa (1.75 bar) $\pm 10\%$
- Opening pressure 300 kPa (3 bar) $\pm 10\%$

Δp element type

- Microfibre filter elements - series H: 10 bar
- Fluid flow through the filter element from OUT to IN

Seals

- Standard NBR series A
- Optional FPM series V

Temperature

From -25 °C to +110 °C

Note

MPT filters are provided for vertical mounting



Weights [kg] and volumes [dm³]

Filter series	Weights [kg]					Volumes [dm ³]				
	Length	1	2	3	4	Length	1	2	3	4
MPT 025		0.41	0.45	0.50	-		0.24	0.35	0.42	-
MPT 027		0.44	0.48	0.55	-		0.24	0.35	0.42	-
MPT 110		1.00	1.05	1.15	1.40		0.72	0.93	1.28	1.74
MPT 114		1.10	1.15	1.25	1.50		0.72	0.93	1.28	1.74
MPT 116		1.10	1.15	1.25	1.50		0.72	0.93	1.28	1.74
MPT 120		1.00	1.05	1.15	1.40		0.72	0.93	1.28	1.74

Flow rates [l/min]

Filter series	Length	Filter element design - H series					Filter element design - N series		
		A03	A06	A10	A16	A25	M25 M60 M90	P10	P25
MPT 025-027	1	7	10	23	28	42	59	51	54
	2	17	20	45	48	56	72	64	67
	3	21	24	50	55	59	76	74	75
MPT 110-114 116-120	1	18	20	53	56	65	153	87	96
	2	28	38	65	75	95	158	111	123
	3	48	55	125	135	169	289	224	251
	4	79	89	180	185	198	306	264	289

Maximum flow rate for a complete return filter with a pressure drop $\Delta p = 0.5$ bar.

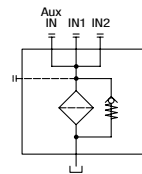
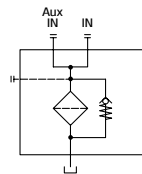
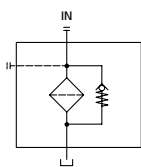
The reference fluid has a kinematic viscosity of 30 mm²/s (cSt) and a density of 0.86 kg/dm³.

For different pressure drop or fluid viscosity we recommend to use our selection software available on www.mpfiltri.com.

You can also calculate the right size using the formulas present on the FILTER SIZING paragraph at the beginning of the full catalogue or at the beginning of the filter family brochure. Please, contact our Sales Department for further additional information.

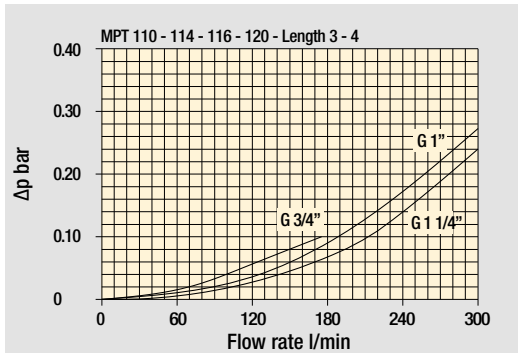
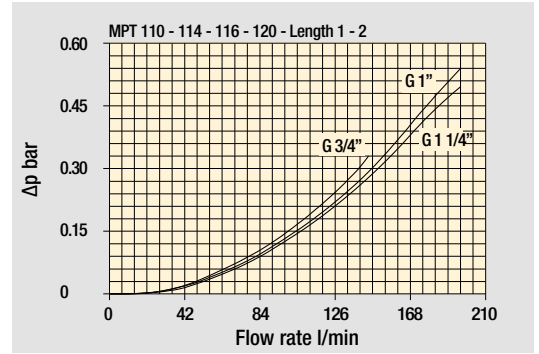
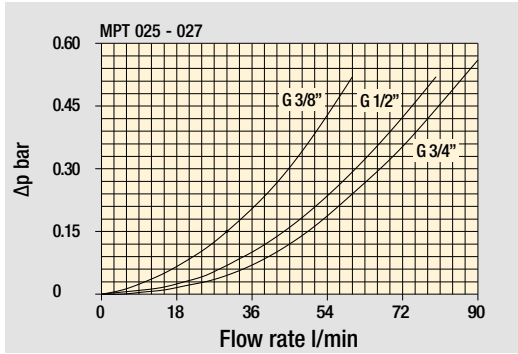
Hydraulic symbols

Filter series	Style 1 connection	Style 2 connections	Style 3 connections
MPT 025	•	-	-
MPT 027	•	-	-
MPT 110	-	•	-
MPT 114	•	-	-
MPT 116	•	-	-
MPT 120	-	-	•

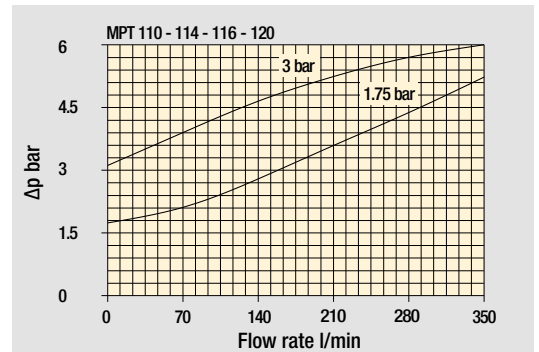
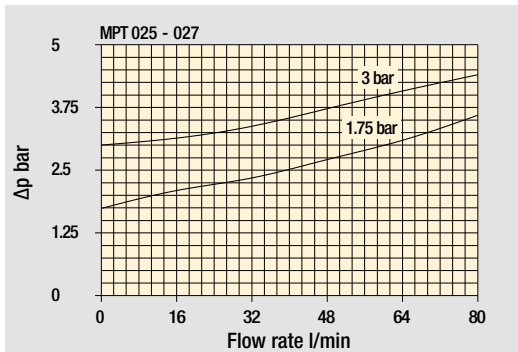


Pressure drop

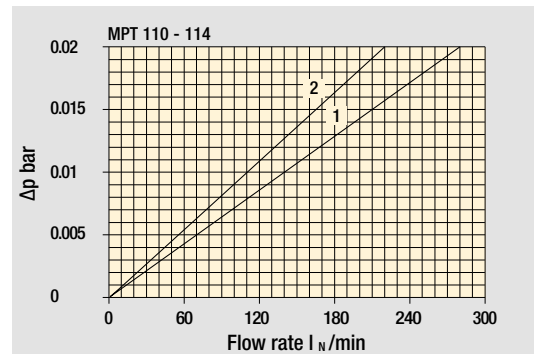
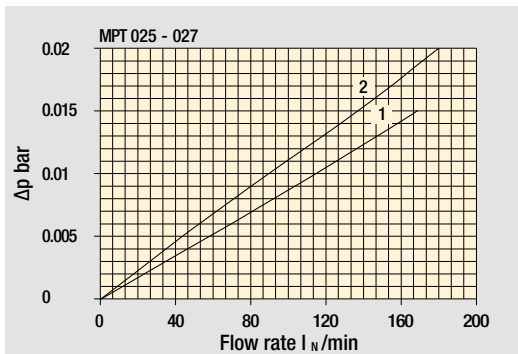
Filter housings Δp pressure drop



Bypass valve pressure drop



Air breather pressure drop







- 1 C With air breather 10 μ m
- 2 D With anti-splash and SAP50 10 μ m

The curves are plotted using mineral oil with density of 0.86 kg/dm³ in compliance with ISO 3968. Δp varies proportionally with density.

MPT 025 -027		
Air breather port plugged Indicator port	Air breather standard Indicator port	Anti-splash air breather & pressurized Double indicator port
		

Multiport - Multifunction

MPT 110	
Standard - Single IN Port	Double IN Port - Double indicator port
	
Double IN Port Option: double drain port	Double IN Port - Indicator port Option: drain port
	

MPT 120
Triple IN port Option: double drain port



MPT MPT025 - MPT027

Designation & Ordering code

COMPLETE FILTER

Series and size		Configuration example 1:		MPT025	1	S	A	G3	A10	E	P01		
MPT025	MPT027	Filter element with standard spigot		Configuration example 2:		MPT027	3	C	W	G6	A03	B	P01
Length													
1		2		3									
Air breather													
S		Without air breather											
C		With air breather 10 µm											
D		With anti-splash and air breather SAP050 10 µm											
P		With anti-splash and air breather SAP050 10 µm, pressurization 0.5 bar											
Seals and treatments													
				Filtration rating									
				Axx		Mxx		Pxx					
A		NBR		•		•		•					
V		FPM		•		•		•					
W		NBR head anodized		•		•		-					
Z		FPM head anodized		•		•		-					
Connections													
G1		G 3/8"		G6		3/4" NPT							
G2		G 1/2"		G7		SAE 6 - 9/16" - 18 UNF							
G3		G 3/4"		G8		SAE 8 - 3/4" - 16 UNF							
G4		3/8" NPT		G9		SAE 12 - 1 1/16" - 12 UN							
G5		1/2" NPT											
Filtration rating (filter media)													
A03		Inorganic microfiber 3 µm		M25		Wire mesh 25 µm							
A06		Inorganic microfiber 6 µm		M60		Wire mesh 60 µm							
A10		Inorganic microfiber 10 µm		M90		Wire mesh 90 µm							
A16		Inorganic microfiber 16 µm		P10		Resin impregnated paper 10 µm							
A25		Inorganic microfiber 25 µm		P25		Resin impregnated paper 25 µm							
										Bypass valve		Execution	
										E		P01	
										3 bar		MP Filtri standard	
										B		Pxx	
										1.75 bar		Customized	

FILTER ELEMENT

Element series and size		Configuration example 1:		MF020	1	A10	H	B	E	P01	
MF020	Filter element with standard spigot		Configuration example 2:		MF020	3	A03	N	B	P01	
Element length											
1		2		3							
Filtration rating (filter media)											
A03		Inorganic microfiber 3 µm		M25		Wire mesh 25 µm					
A06		Inorganic microfiber 6 µm		M60		Wire mesh 60 µm					
A10		Inorganic microfiber 10 µm		M90		Wire mesh 90 µm					
A16		Inorganic microfiber 16 µm		P10		Resin impregnated paper 10 µm					
A25		Inorganic microfiber 25 µm		P25		Resin impregnated paper 25 µm					
Element Δp											
				Filter media							
				Axx		Mxx		Pxx			
N		10 bar		-		•		•			
H		10 bar		•		-		-			
										Seals	
										B	
										NBR	
										V	
										FPM	
										Bypass valve	
										E	
										3 bar	
										Pxx	
										1.75 bar	
										Execution	
										P01	
										MP Filtri standard	
										Pxx	
										Customized	

CLOGGING INDICATORS

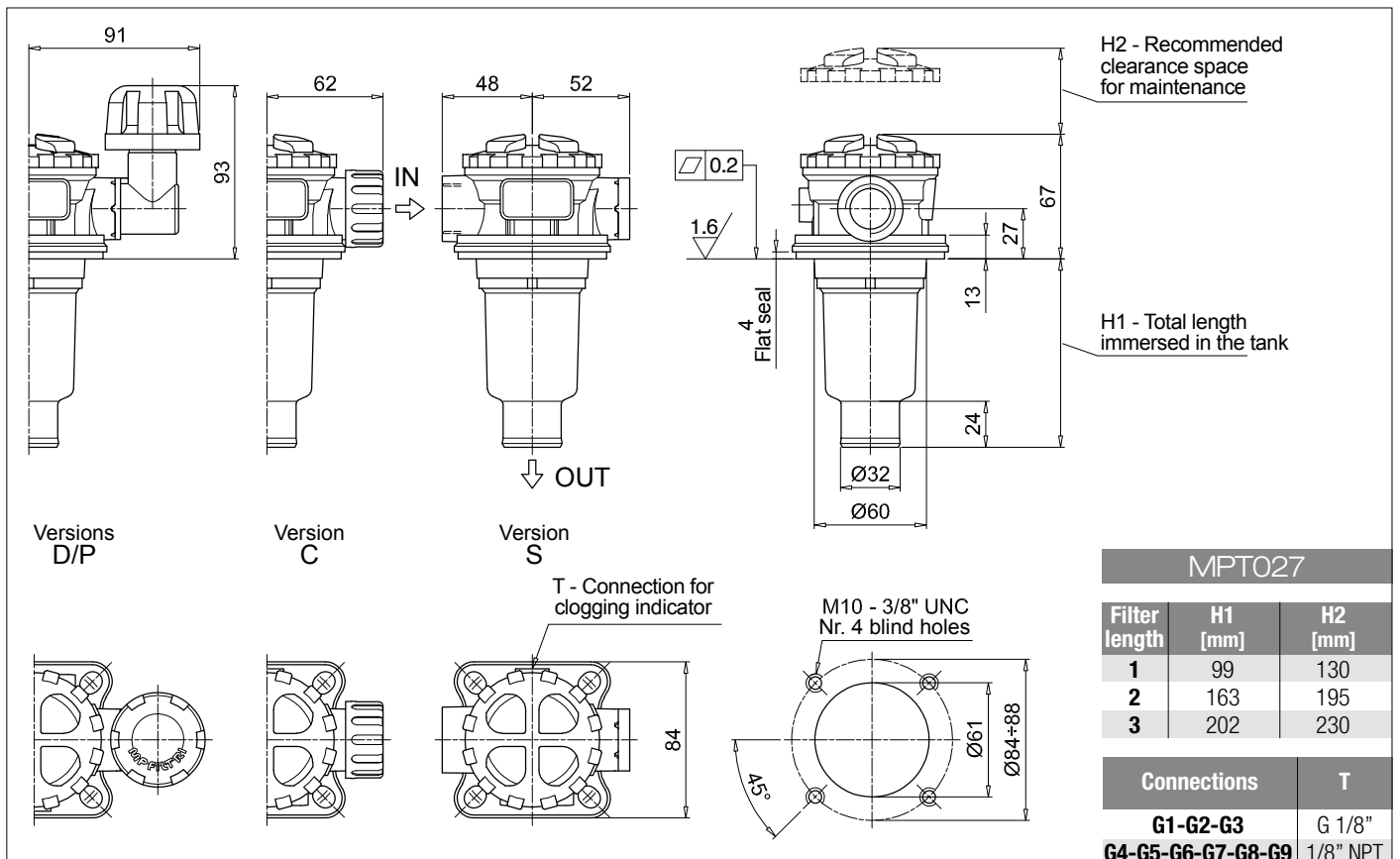
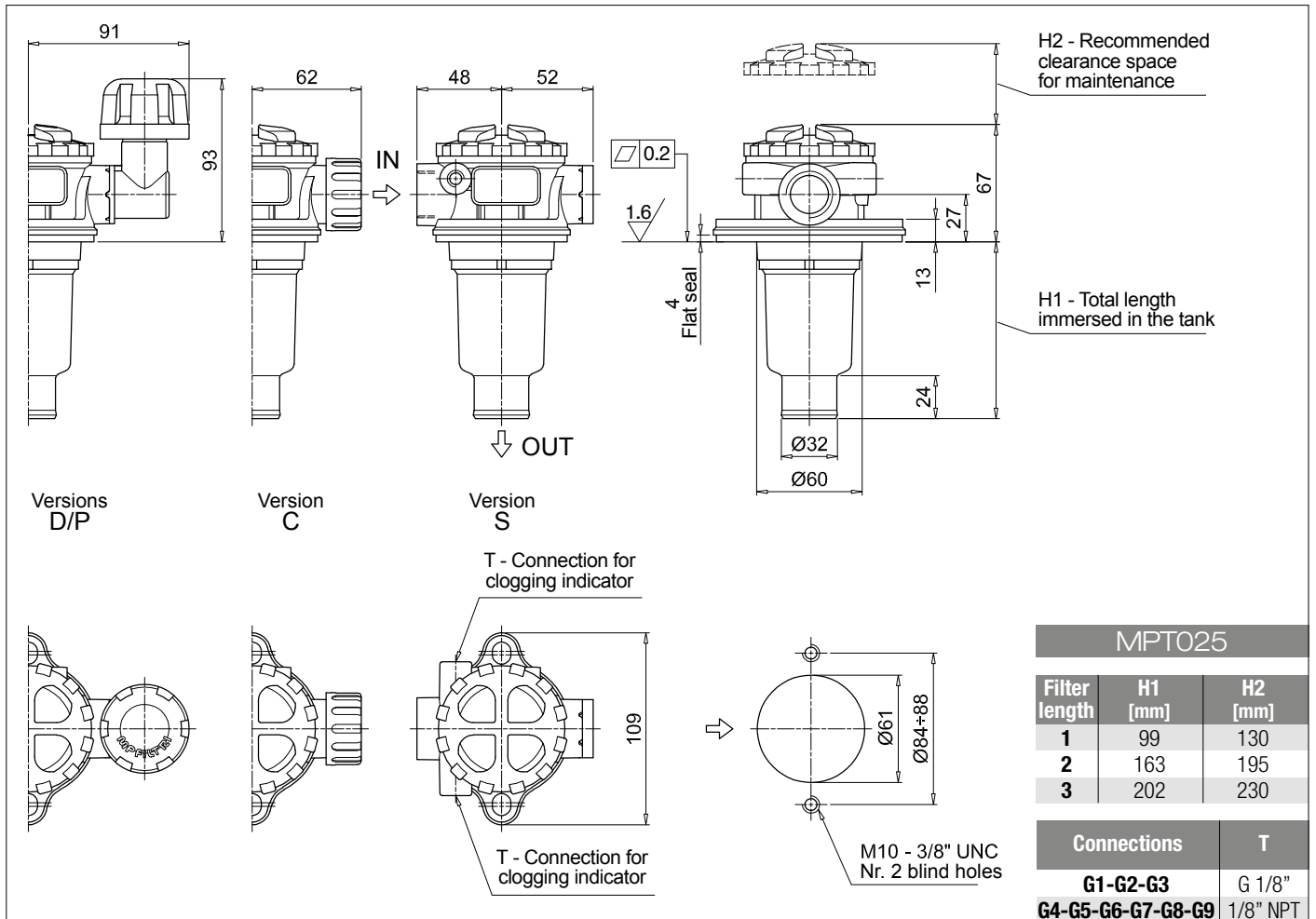
See page 716-717

BVA	Axial pressure gauge	BEA	Electrical pressure indicator
BVR	Radial pressure gauge	BEM	Electrical pressure indicator
BVP	Visual pressure indicator with automatic reset	BLA	Electrical / visual pressure indicator
BVQ	Visual pressure indicator with manual reset		

ADDITIONAL FEATURES

See page 268

TE	Extension tube
DPT	Dipstick



Designation & Ordering code

COMPLETE FILTER

Series and size			Configuration example 1: MPT110 1 S A G1 0 A06 E P01								
MPT110 Filter element with standard spigot			Configuration example 2: MPT110 3 P V G4 1 M25 B P01								
Length											
1 2 3 4											
Air breather											
S Without air breather											
C With air breather 10 µm											
D With anti-splash and air breather SAP050 10 µm											
P With anti-splash and air breather SAP050 10 µm, pressurization 0.5 bar											
Seals and treatments			Filtration rating								
			Axx	Mxx	Pxx						
A NBR			•	•	•						
V FPM			•	•	•						
W NBR head anodized			•	•	-						
Z FPM head anodized			•	•	-						
Main Connections		Aux size 1	Aux size 2	Main Connections		Aux size 1	Aux size 2				
G1 G 3/4"		G 3/8"	G 1/2"	G6 1 1/4" NPT		3/8" NPT	1/2" NPT				
G2 G 1"				G7 SAE 12 - 1 1/16" - 12 UN		SAE 6 - 9/16" - 18 UNF	SAE 8 - 3/4" - 16 UNF				
G3 G 1 1/4"				G8 SAE 16 - 1 5/16" - 12 UN							
G4 3/4" NPT		3/8" NPT	1/2" NPT	G9 SAE 20 - 1 5/8" - 12 UN							
G5 1" NPT											
Aux connection - see previous table											
0 Not machined 1 Aux size 1 2 Aux size 2											
Filtration rating (filter media)											
A03 Inorganic microfiber 3 µm			M25 Wire mesh 25 µm								
A06 Inorganic microfiber 6 µm			M60 Wire mesh 60 µm								
A10 Inorganic microfiber 10 µm			M90 Wire mesh 90 µm								
A16 Inorganic microfiber 16 µm			P10 Resin impregnated paper 10 µm								
A25 Inorganic microfiber 25 µm			P25 Resin impregnated paper 25 µm								
						Bypass valve		Execution			
						E 3 bar		P01 MP Filtri standard			
						B 1.75 bar		Pxx Customized			

FILTER ELEMENT

Element series and size			Configuration example 1: MF100 1 A06 H B E P01								
MF100 Filter element with standard spigot			Configuration example 2: MF100 3 M25 N V P01								
Element length											
1 2 3 4											
Filtration rating (filter media)											
A03 Inorganic microfiber 3 µm			M25 Wire mesh 25 µm								
A06 Inorganic microfiber 6 µm			M60 Wire mesh 60 µm								
A10 Inorganic microfiber 10 µm			M90 Wire mesh 90 µm								
A16 Inorganic microfiber 16 µm			P10 Resin impregnated paper 10 µm								
A25 Inorganic microfiber 25 µm			P25 Resin impregnated paper 25 µm								
Element Δp			Filter media			Seals		Bypass valve		Execution	
			Axx	Mxx	Pxx						
N 10 bar			-	•	•	B NBR		E 3 bar		P01 MP Filtri standard	
H 10 bar			•	-	-	V FPM		- 1.75 bar		Pxx Customized	

CLOGGING INDICATORS

See page 716-717

BVA Axial pressure gauge	
BVR Radial pressure gauge	
BVP Visual pressure indicator with automatic reset	
BVQ Visual pressure indicator with manual reset	

BEA Electrical pressure indicator	
BEM Electrical pressure indicator	
BLA Electrical / visual pressure indicator	

ADDITIONAL FEATURES

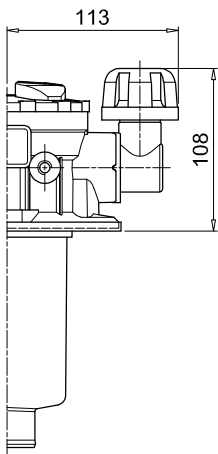
See page 268

TE Extension tube	
DFS Diffuser with fast lock connection	

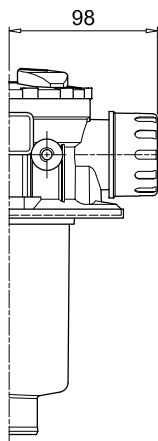
DPT Dipstick	
---------------------	--

MPT110				
Filter length	H1 [mm]	H2 [mm]	D [mm]	I [mm]
1	97	120	38	4
2	144	170	38	4
3	222	250	47	-
4	324	350	47	2.5

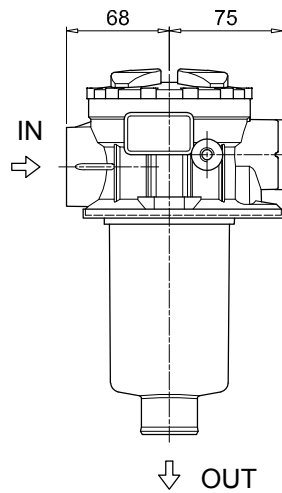
Connections	T
G1-G2-G3	G 1/8"
G4-G5-G6-G7-G8-G9	1/8" NPT



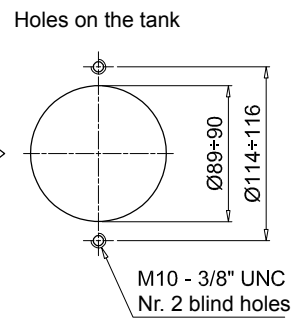
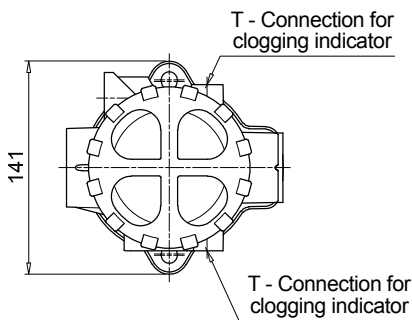
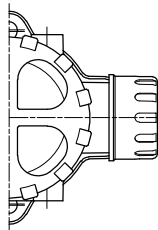
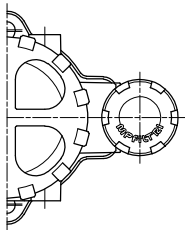
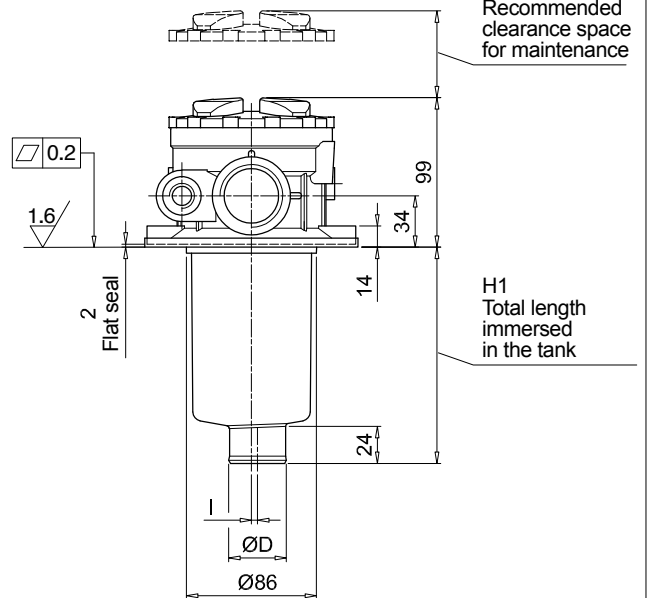
Versions D/P



Version C

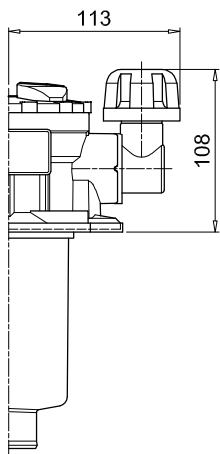


Version S

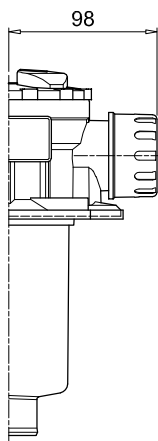


MPT114				
Filter length	H1 [mm]	H2 [mm]	D [mm]	I [mm]
1	97	120	38	4
2	144	170	38	4
3	222	250	47	-
4	324	350	47	2.5

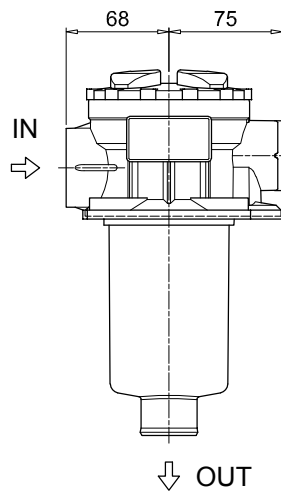
Connections	T
G1-G2-G3	G 1/8"
G4-G5-G6-G7-G8-G9	1/8" NPT



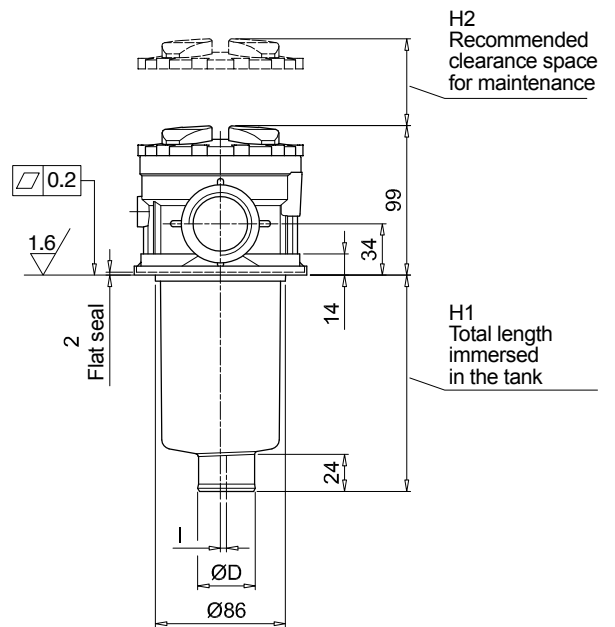
Versions D/P



Version C

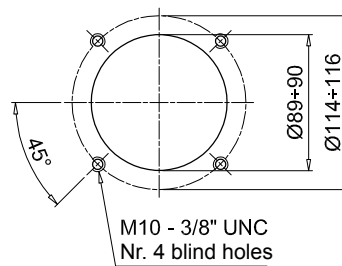
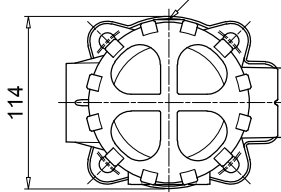
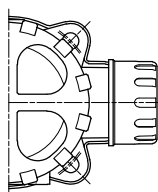
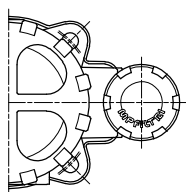


Version S



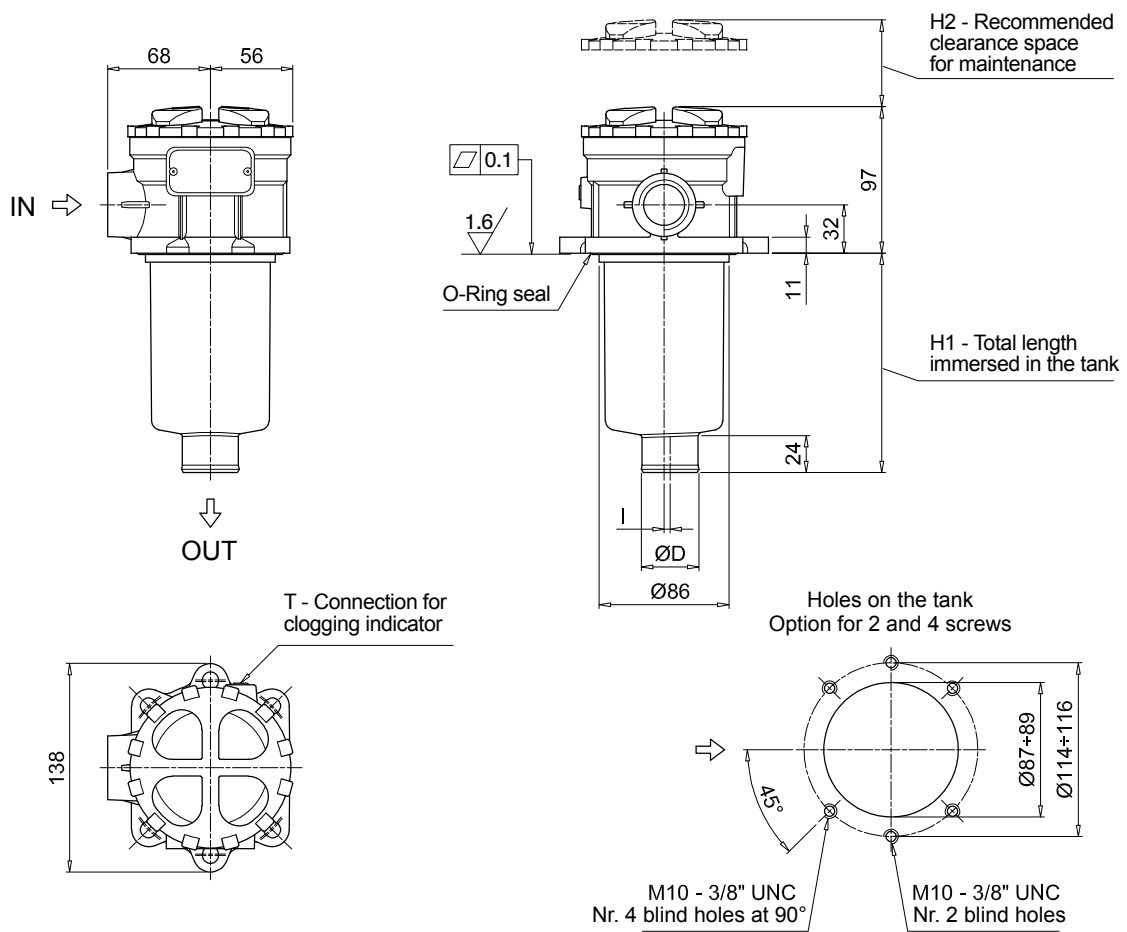
T - Connection for clogging indicator

Holes on the tank



MPT116				
Filter length	H1 [mm]	H2 [mm]	D [mm]	I [mm]
1	99	120	38	4
2	146	170	38	4
3	224	250	47	-
4	326	350	47	2.5

Connections	T
G1-G2-G3	G 1/8"
G4-G5-G6-G7-G8-G9	1/8" NPT



Designation & Ordering code

COMPLETE FILTER

Series and size
MPT120 Filter element with standard spigot

Configuration example 1: **MPT120** | **1** | **A** | **G1** | **0** | **A06** | **E** | **P01**
 Configuration example 2: **MPT120** | **3** | **V** | **G4** | **1** | **M25** | **B** | **P01**

Length
1 | **2** | **3** | **4**

Seals and treatments	Filtration rating		
	Axx	Mxx	Pxx
A NBR	•	•	•
V FPM	•	•	•
W NBR head anodized	•	•	-
Z FPM head anodized	•	•	-

Main Connections	Rear connections	Aux size 1	Aux size 2
G1 G 3/4"	G 3/4"	G 3/8"	G 1/2"
G2 G 1"	G 1"		
G3 G 1 1/4"	G 3/4"		
G4 3/4" NPT	3/4" NPT	3/8" NPT	1/2" NPT
G5 1" NPT	1" NPT		
G6 1 1/4" NPT	3/4" NPT	SAE 6 - 9/16" - 18 UNF	SAE 8 - 3/4" - 16 UNF
G7 SAE 12 - 1 1/16" - 12 UN	SAE 12 - 1 1/16" - 12 UN		
G8 SAE 16 - 1 5/16" - 12 UN	SAE 16 - 1 5/16" - 12 UN		
G9 SAE 20 - 1 5/8" - 12 UN	SAE 12 - 1 1/16" - 12 UN		

Aux connection - see previous table
0 Not machined | **1** Aux size 1 | **2** Aux size 2

Filtration rating (filter media)	
A03 Inorganic microfiber 3 µm	M25 Wire mesh 25 µm
A06 Inorganic microfiber 6 µm	M60 Wire mesh 60 µm
A10 Inorganic microfiber 10 µm	M90 Wire mesh 90 µm
A16 Inorganic microfiber 16 µm	P10 Resin impregnated paper 10 µm
A25 Inorganic microfiber 25 µm	P25 Resin impregnated paper 25 µm

Bypass valve	Execution
E 3 bar	P01 MP Filtri standard
B 1.75 bar	Pxx Customized

FILTER ELEMENT

Element series and size
MF100 Filter element with standard spigot

Configuration example 1: **MF100** | **1** | **A06** | **H** | **B** | **E** | **P01**
 Configuration example 2: **MF100** | **3** | **M25** | **N** | **V** | **P01**

Element length
1 | **2** | **3** | **4**

Filtration rating (filter media)	
A03 Inorganic microfiber 3 µm	M25 Wire mesh 25 µm
A06 Inorganic microfiber 6 µm	M60 Wire mesh 60 µm
A10 Inorganic microfiber 10 µm	M90 Wire mesh 90 µm
A16 Inorganic microfiber 16 µm	P10 Resin impregnated paper 10 µm
A25 Inorganic microfiber 25 µm	P25 Resin impregnated paper 25 µm

Element Δp	Filter media		
	Axx	Mxx	Pxx
N 10 bar	-	•	•
H 10 bar	•	-	-

Seals	Bypass valve	Execution
B NBR	E 3 bar	P01 MP Filtri standard
V FPM	- 1.75 bar	Pxx Customized

CLOGGING INDICATORS

See page 716-717

BVA Axial pressure gauge	BEA Electrical pressure indicator
BVR Radial pressure gauge	BEM Electrical pressure indicator
BVP Visual pressure indicator with automatic reset	BLA Electrical / visual pressure indicator
BVQ Visual pressure indicator with manual reset	

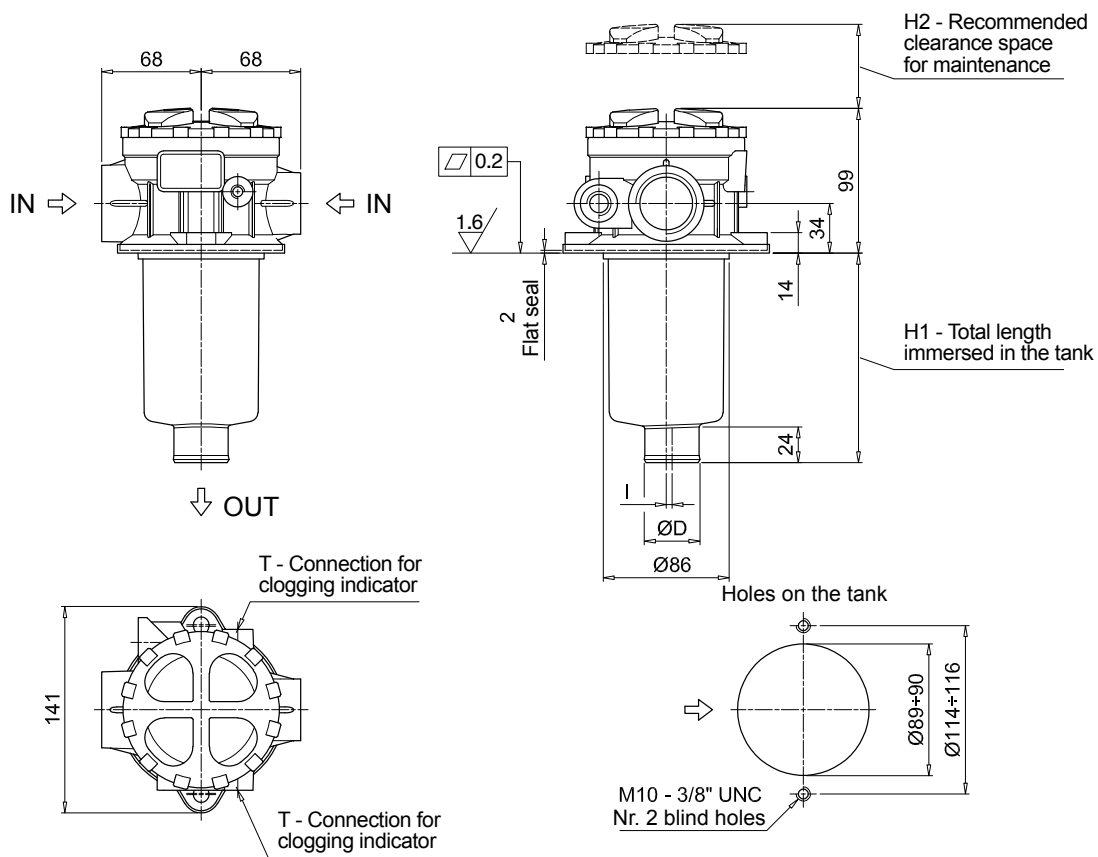
ADDITIONAL FEATURES

See page 268

TE Extension tube	DPT Dipstick
DFS Diffuser with fast lock connection	

MPT120				
Filter length	H1 [mm]	H2 [mm]	D [mm]	I [mm]
1	97	120	38	4
2	147	170	38	4
3	222	250	47	-
4	324	350	47	2.5

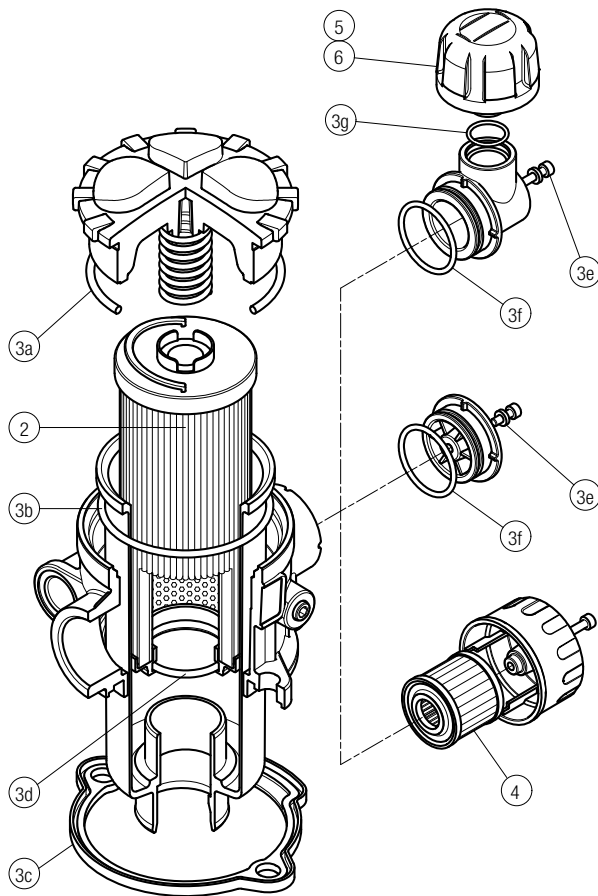
Connections	T
G1-G2-G3	G 1/8"
G4-G5-G6-G7-G8-G9	1/8" NPT



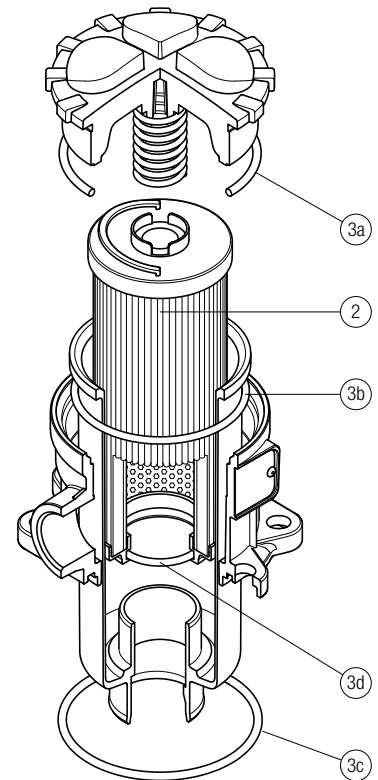
MPT SPARE PARTS

Order number for spare parts

MPT 025 - 027 - 110



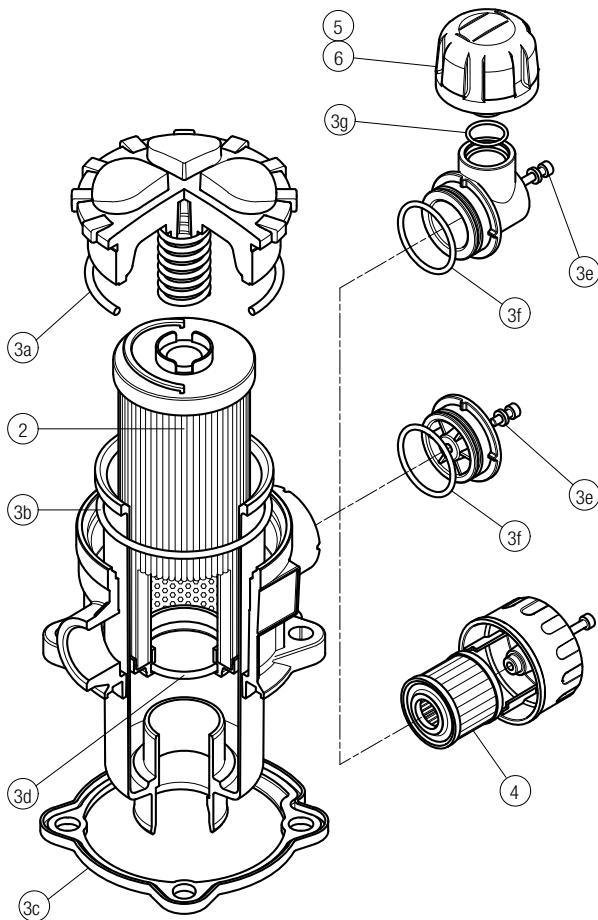
MPT 116



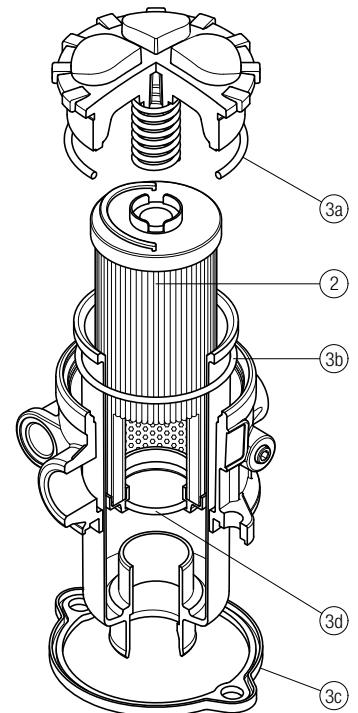
Item:	Q.ty: 1 pc.	Q.ty: 1 pc.	Q.ty: 1 pc.	Q.ty: 1 pc.	Q.ty: 1 pc.	
Filter series	Filter element	Seal Kit code number		C	D	P
		NBR	FPM			
MPT 025	See order table	02050557	02050558	10 µm A3L03	10 µm SAP50G3L03A0P01	10 µm SAP50G3L03A1P01
MPT 027		02050559	02050560	10 µm A3L03	10 µm SAP50G3L03A0P01	10 µm SAP50G3L03A1P01
MPT 110		02050561	02050562	10 µm A5L03	10 µm SAP50G3L03A0P01	10 µm SAP50G3L03A1P01

Item:	Q.ty: 1 pc.	Q.ty: 1 pc.	
Filter series	Filter element	Seal Kit code number	
		NBR	FPM
MPT 116	See order table	02050466	02050467

MPT 114



MPT 120



Item:	Q.ty: 1 pc.	Q.ty: 1 pc.	Q.ty: 1 pc.	Q.ty: 1 pc.	Q.ty: 1 pc.	
Filter series	Filter element	Seal Kit code number		Air breather filter element - version:		
MPT 114	See order table	NBR	FPM	C	D	P
		02050580	02050581	10 µm A5L03	10 µm SAP50G3L03A0P01	10 µm SAP50G3L03A1P01

Item:	Q.ty: 1 pc.	Q.ty: 1 pc.	
Filter series	Filter element	Seal Kit code number	
MPT 120	See order table	NBR	FPM
		02050563	02050564

Accessories

POLYAMIDE EXTENSION TUBE

H1 - Total length immersed in the tank

Configuration example: **TE** **40** **A** **250**

Series	Size	Material	Length	H [mm]
TE			200	200
	25	A Polyamide	250	250
	32		300	300
	40		350	350
			400	400
			450	450
			500	500

COMPATIBILITY TABLE															
		Tube length													
Filter series	Filter size			Filter length	TE25	TE32	TE40	200	250	300	350	400	450	500	
								H1 [mm]							
MPF - MPFX	30			1	•	-	-	266	316	366	416	466	516	566	
MPF	100	104	110	1	-	•	-	275	325	375	425	475	525	575	
				2	-	-	-	322	372	422	472	522	572	622	
				3	-	-	•	400	450	500	550	600	650	700	
				4	-	-	-	502	552	602	652	702	752	802	
MPFX	100	104	110	1	-	-	•	277	327	377	427	477	527	577	
				2	-	-	•	322	372	422	472	522	572	622	
				3	-	-	•	400	450	500	550	600	650	700	
				4	-	-	-	502	552	602	652	702	752	802	
MPF MPFX	181	182	184	1	-	-	•	410	460	510	560	610	660	710	
				2	-	-	•	623	673	723	773	823	873	923	
MPT MPTX	025		027	1	•	-	-	278	328	378	428	478	528	578	
				2	-	-	-	342	392	442	492	542	592	642	
				3	-	-	-	380	430	480	530	580	630	680	
MPT	110	114	116	120	1	-	•	-	273	323	373	423	473	523	573
					2	-	-	-	320	370	420	470	520	570	620
					3	-	-	•	396	446	496	546	596	646	696
					4	-	-	•	498	548	598	648	698	748	798
MPTX	110	114	116	120	1	-	-	•	273	323	373	423	473	523	573
					2	-	-	•	318	368	418	468	518	568	618
					3	-	-	-	396	446	496	546	596	646	696
					4	-	-	-	498	548	598	648	698	748	798

STEEL EXTENSION TUBE

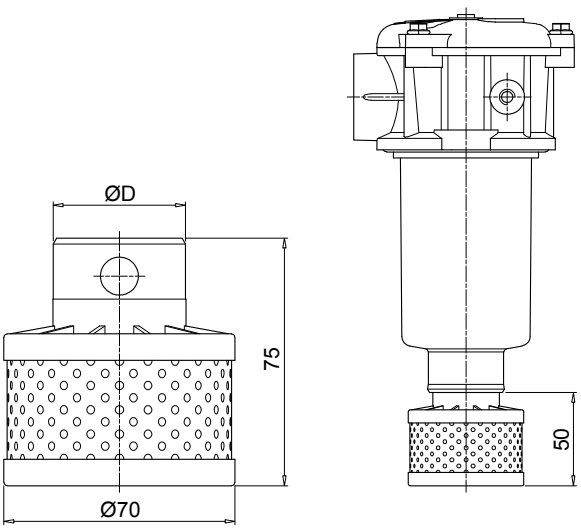
H1 - Total length immersed in the tank

Configuration example: **MPF191** **2** **A** **F1** **A10** **H** **B** **S60**

Series	Size	Material	Length	H1 [mm]
S30			300	300
S35			350	350
S40			400	400
S45			450	450
S50			500	500
S60			600	600
S70			700	700
S80			800	800
S90			900	900

COMPATIBILITY TABLE							
		ø D [mm]					
Filter series	Filter size			Filter length	52	65	
MPF	191	192	194	2	•	-	
				1	•	-	
	400	410	450	451	2	-	•
					3	-	•
	750			1	-	•	

DIFFUSER WITH FAST LOCK CONNECTION

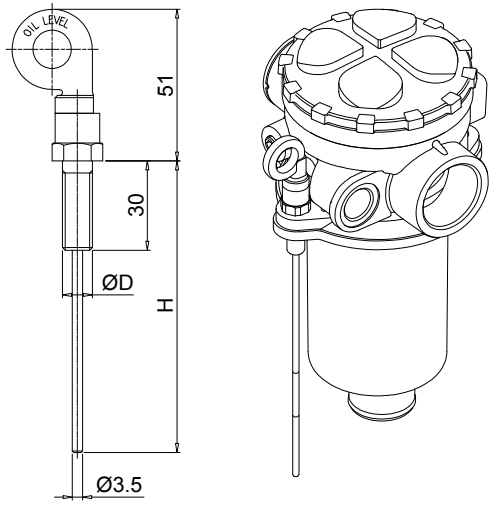


Configuration example: **DFS 32 A 075**

Series		DFS
Size		32
Size	ø D [mm]	32
40	40	
Version		A Standard
Length		075 Standard

COMPATIBILITY TABLE							
Filter series	Filter size			Filter Length	DFS32	DFS40	
MPF	100	104	110	1	•	-	
				2	-	-	
				3	-	•	
				4	-	-	
MPFX	100	104	110	1	-	•	
				2	-	•	
				3	-	-	
				4	-	-	
MPT	110	114	116	120	1	•	-
					2	-	-
					3	-	•
					4	-	-
MPTX	110	114	116	120	1	-	•
					2	-	•
					3	-	-
					4	-	-

DIPSTICK



Configuration example: **DPT 20 M10 A P01**

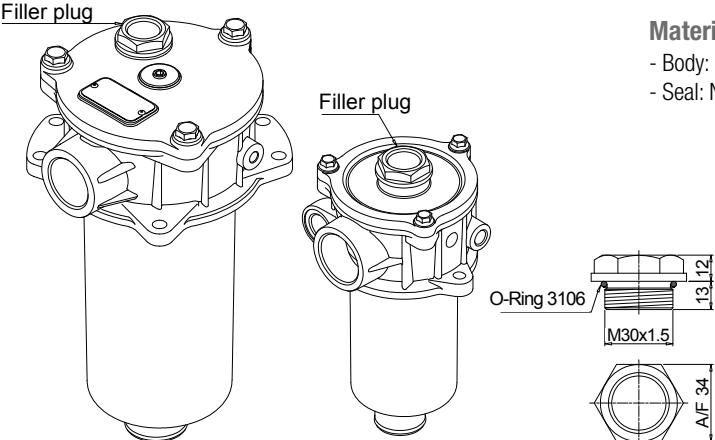
Series		DPT
Length	H [mm]	20
15	134	
20	184	
25	234	
30	284	
35	334	

Materials
 - Screw: phosphatized steel
 - Stick: phosphatized steel
 - Handle: Polyamide

Technical data
 Working temperature: from -25 °C to +110 °C

Fastening		M8 Fastening with screws ø D = M8
M10		Fastening with screws ø D = M10
Seals		A NBR
V		FPM
Execution		P01 MP Filtri standard
Pxx		Customized

FILLER PLUG



Materials
 - Body: Polyamide
 - Seal: NBR

Technical data
 Tightening torque: 15 N·m

O-Ring 3106
 M30x1.5
 13
 A/F 34

For any further information, please, contact our commercial dept.

Designation & Ordering code

BAROMETRIC (PRESSURE) INDICATORS

Series	Configuration example 1: BE A 15 H A 41 P01 EX									
BE Electrical pressure indicator	Configuration example 2: BL A 20 H A 71 P01									
BL Electrical/Visual pressure indicator	Configuration example 3: BV R 14 P01									
BV Visual pressure indicator	Configuration example 4: BV P 20 H P01									
Type	BE	BL	BV							
A Standard type	•	•	A Axial connection pressure gauge							
M With wired electrical connection	•	-	R Radial connection pressure gauge							
T With thermal switch	•	-	P Visual indicator with automatic reset							
			Q Visual indicator with manual reset							
Pressure setting	BEA-BEM	BET	BLA	BVA-BVR	BVP-BVQ					
14 1.4 bar	-	-	-	•	-					
15 1.5 bar	•	-	•	-	•					
20 2.0 bar	•	•	•	-	•					
25 2.5 bar	-	•	-	•	-					
Seals	BE	BLA	BVA-BVR	BVP-BVQ						
H HNBR	•	•	-	•						
Thermostat	BEA-BEM	BET	BLA							
A Without thermostat	•	-	•							
F With thermostat	-	•	-							
Electrical connections	BEA	BEM	BET	BL						
10 Connection AMP Superseal series 1,5	-	-	•	-						
30 Connection Deutsch DT-04-2-P	-	-	•	-						
41 Connection via four-core cable	-	•	-	-						
50 Connection EN 175301-803	•	-	-	-						
51 Connection EN 175301-803, transparent base with lamps 24 Vdc	-	-	-	•						
52 Connection EN 175301-803, transparent base with lamps 110 Vdc	-	-	-	•						
53 Connection EN 175301-803, transparent base with lamps 230 Vac	-	-	-	•						
71 Connection IEC 61076-2-101 D (M12), black base with lamps 24 Vdc	-	-	-	•						
Option										
P01 MP Filtri standard										
Pxx Customized										
Certifications	BEA	BEM-BET	BL	BV						
Without	•	•	•	•						
EX ATEX certification	•	-	-	-						
UL UL certification	•	-	-	-						

DIFFERENTIAL PRESSURE INDICATORS

Series
DE Electrical differential pressure indicator
DL Electrical/Visual differential pressure indicator
DT Electrical differential pressure indicator
DV Visual differential pressure indicator

Configuration example 1:	DE	M	20	H	F	50	P01	
Configuration example 2:	DE	U	50	H	A	50	P01	UL
Configuration example 3:	DL	E	20	V	A	71	P01	
Configuration example 4:	DT	A	20	H	F	70	P01	
Configuration example 5:	DV	M	20	V			P01	

Type	DE	DL	DT
A Standard type	•	•	•
M With wired electrical connection	•	-	-
U Standard type 210 bar, UL certified	•	-	-
E For high power supply	-	•	-
S Compact version	•	-	-

DV
A With automatic reset
M With manual reset
S With automatic reset

Pressure setting	DEA	DEM	DEU	DES	DL	DT	DVA	DVM	DVS
12 1.2 bar	-	-	-	•	-	-	-	-	•
20 2.0 bar	•	•	•	-	•	•	•	•	-
25 2.5 bar	-	-	-	•	-	-	-	-	•

Seals	DEA	DEM	DEU	DES	DL	DT	DVA	DVM	DVS
H HNBR	•	•	-	•	•	•	•	•	•
V FPM	•	•	•	-	•	•	•	•	-

Thermostat	DEA	DEM	DEU	DES	DLA	DLE	DT
A Without thermostat	•	•	•	•	•	•	-
F With thermostat	-	•	-	-	-	•	•

Electrical connections	DEA	DEM	DEU	DES	DLA	DLE	DT
10 Connection AMP Superseal series 1.5	-	•	-	•	-	-	-
20 Connection AMP Timer Junior	-	•	-	-	-	-	-
30 Connection Deutsch DT-04-2-P	-	•	-	•	-	-	-
35 Connection Deutsch DT-04-3-P	-	•	-	-	-	-	-
50 Connection EN 175301-803	•	-	•	-	-	•	-
51 Connection EN 175301-803, transparent base with lamps 24 Vdc	-	-	-	-	•	-	-
52 Connection EN 175301-803, transparent base with lamps 110 Vdc	-	-	-	-	•	-	-
70 Connection IEC 61076-2-101 D (M12)	-	-	-	-	-	-	•
71 Connection IEC 61076-2-101 D (M12), black base with lamps 24 Vdc	-	-	-	-	•	-	-
80 Connection Stud #10-32 UNF	-	-	-	•	-	-	-

Option
P01 MP Filtri standard
Pxx Customized

Certifications	DEU	OTHERS
Without	-	•
UL UL certification	•	-

PLUGS

Series
T2 Plug
T4 Plug

Configuration example	T2	H
-----------------------	----	---

Seals	T2	T4
A NBR	-	•
H HNBR	•	-
V FPM	•	-