

AZ2

 ATEX Fluid Contamination Monitors



Contamination management

INDEX

	Page
① HYDRAULIC FLUIDS	12
② FLUIDS CONTAMINATION	12
③ EFFECTS OF CONTAMINATION ON HYDRAULIC COMPONENTS	12
④ MEASURING THE SOLID CONTAMINATION LEVEL	13
⑤ RECOMMENDED CONTAMINATION CLASSES	16
⑥ WATER IN HYDRAULIC AND LUBRICATING FLUIDS	17

1 HYDRAULIC FLUIDS

The fluid is the vector that transmits power, energy within an oleodynamic circuit. In addition to transmitting energy through the circuit, it also performs additional functions such as lubrication, protection and cooling of the surfaces.

The classification of fluids used in hydraulic systems is coded in many regulatory references, different Standards.

The most popular classification criterion divides them into the following families:

- MINERAL OILS

Commonly used oil deriving fluids.

- FIRE RESISTANT FLUIDS

Fluids with intrinsic characteristics of incombustibility or high flash point.

- SYNTHETIC FLUIDS

Modified chemical products to obtain specific optimized features.

- ECOLOGICAL FLUIDS

Synthetic or vegetable origin fluids with high biodegradability characteristics.

The choice of fluid for an hydraulic system must take into account several parameters.

These parameters can adversely affect the performance of an hydraulic system, causing delay in the controls, pump cavitation, excessive absorption, excessive temperature rise, efficiency reduction, increased drainage, wear, jam/block or air intake in the plant.

The main properties that characterize hydraulic fluids and affect their choice are:

- DYNAMIC VISCOSITY

It identifies the fluid's resistance to sliding due to the impact of the particles forming it.

- KINEMATIC VISCOSITY

It is a widespread formal dimension in the hydraulic field.

It is calculated with the ratio between the dynamic viscosity and the fluid density.

Kinematic viscosity varies with temperature and pressure variations.

- VISCOSITY INDEX

This value expresses the ability of a fluid to maintain viscosity when the temperature changes.

A high viscosity index indicates the fluid's ability to limit viscosity variations by varying the temperature.

- FILTERABILITY INDEX

It is the value that indicates the ability of a fluid to cross the filter materials. A low filterability index could cause premature clogging of the filter material.

- WORKING TEMPERATURE

Working temperature affects the fundamental characteristics of the fluid. As already seen, some fluid characteristics, such as cinematic viscosity, vary with the temperature variation.

When choosing a hydraulic oil, must therefore be taken into account of the environmental conditions in which the machine will operate.

- COMPRESSIBILITY MODULE

Every fluid subjected to a pressure contracts, increasing its density.

The compressibility module identifies the increase in pressure required to cause a corresponding increase in density.

- HYDROLYTIC STABILITY

It is the characteristic that prevents galvanic pairs that can cause wear in the plant/system.

- ANTIOXIDANT STABILITY AND WEAR PROTECTION

These features translate into the capacity of a hydraulic oil to avoid corrosion of metal elements inside the system.

- HEAT TRANSFER CAPACITY

It is the characteristic that indicates the capacity of hydraulic oil to exchange heat with the surfaces and then cool them.

2 FLUID CONTAMINATION

Whatever the nature and properties of fluids, they are inevitably subject to contamination. Fluid contamination can have two origins:

- INITIAL CONTAMINATION

Caused by the introduction of contaminated fluid into the circuit, or by incorrect storage, transport or transfer operations.

- PROGRESSIVE CONTAMINATION

Caused by factors related to the operation of the system, such as metal surface wear, sealing wear, oxidation or degradation of the fluid, the introduction of contaminants during maintenance, corrosion due to chemical or electrochemical action between fluid and components, cavitation. The contamination of hydraulic systems can be of different nature:

- SOLID CONTAMINATION

For example rust, slag, metal particles, fibers, rubber particles, paint particles or additives

- LIQUID CONTAMINATION

For example, the presence of water due to condensation or external infiltration or acids

- GASEOUS CONTAMINATION

For example, the presence of air due to inadequate oil level in the tank, drainage in suction ducts, incorrect sizing of tubes or tanks.

3 EFFECTS OF CONTAMINATION ON HYDRAULIC COMPONENTS

Solid contamination is recognized as the main cause of malfunction, failure and early degradation in hydraulic systems. It is impossible to delete it completely, but it can be effectively controlled by appropriate devices.

CONTAMINATION IN PRESENCE OF LARGE TOLERANCES



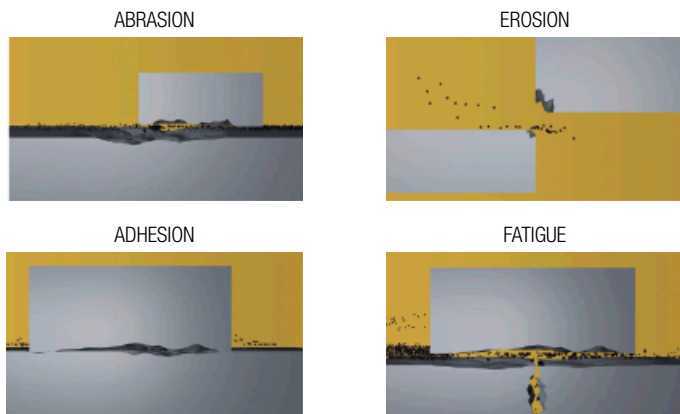
CONTAMINATION IN PRESENCE OF NARROW TOLERANCES



Solid contamination mainly causes surface damage and component wear.

- SURFACE EROSION
Cause of leakage through mechanical seals, reduction of system performance, variation in adjustment of control components, failures.
- ADHESION OF MOVING PARTS
Cause of failure due to lack of lubrication.
- DAMAGES DUE TO FATIGUE
Cause of breakdowns and components breakdown.

- MODIFICATION OF FLUID PROPERTIES
(COMPRESSIBILITY MODULE, DENSITY, VISCOSITY)
Cause of system's reduction of efficiency and of control.
It is easy to understand how a system without proper contamination management is subject to higher costs than a system that is provided.
- MAINTENANCE
Maintenance activities, spare parts, machine stop costs
- ENERGY AND EFFICIENCY
Efficiency and performance reduction due to friction, drainage, cavitation.



Liquid contamination mainly results in decay of lubrication performance and protection of fluid surfaces.

DISSOLVED WATER

- INCREASING FLUID ACIDITY
Cause of surface corrosion and premature fluid oxidation
- GALVANIC COUPLE AT HIGH TEMPERATURES
Cause of corrosion

FREE WATER - ADDITIONAL EFFECTS

- DECAY OF LUBRICANT PERFORMANCE
Cause of rust and sludge formation, metal corrosion and increased solid contamination
- BATTERY COLONY CREATION
Cause of worsening in the filterability feature
- ICE CREATION AT LOW TEMPERATURES
Cause damage to the surface
- ADDITIVE DEPLETION
Free water retains polar additives

Gaseous contamination mainly results in decay of system performance.

- CUSHION SUSPENSION
Cause of increased noise and cavitation.
- FLUID OXIDATION
Cause of corrosion acceleration of metal parts.

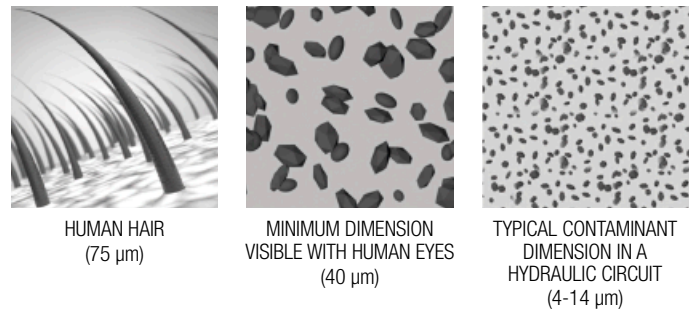
4 MEASURING THE SOLID CONTAMINATION LEVEL

The level of contamination of a system identifies the amount of contaminant contained in a fluid.

This parameter refers to a unit volume of fluid.

The level of contamination may be different at different points in the system. From the information in the previous paragraphs it is also apparent that the level of contamination is heavily influenced by the working conditions of the system, by its working years and by the environmental conditions.

What is the size of the contaminating particles that we must handle in our hydraulic circuit?



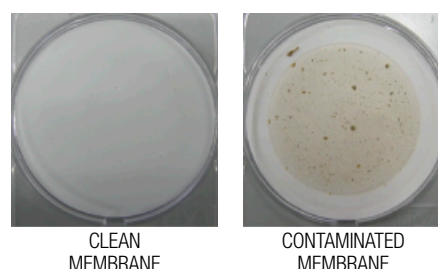
Contamination level analysis is significant only if performed with a uniform and repeatable method, conducted with standard test methods and suitably calibrated equipment.

To this end, ISO has issued a set of standards that allow tests to be conducted and express the measured values in the following ways.

- GRAVIMETRIC LEVEL - ISO 4405

The level of contamination is defined by checking the weight of particles collected by a laboratory membrane. The membrane must be cleaned, dried and desiccated, with fluid and conditions defined by the Standard.

The volume of fluid is filtered through the membrane by using a suitable suction system. The weight of the contaminant is determined by checking the weight of the membrane before and after the fluid filtration.



CONTAMINATION MANAGEMENT

- CUMULATIVE DISTRIBUTION OF THE PARTICLES SIZE - ISO 4406

The level of contamination is defined by counting the number of particles of certain dimensions per unit of volume of fluid. Measurement is performed by Automatic Particle Counters (APC).

Following the count, the contamination classes are determined, corresponding to the number of particles detected in the unit of fluid.

The most common classification methods follow ISO 4406 and SAE AS 4059 (Aerospace Sector) regulations.

NAS 1638 is still used although obsolete.

Classification example according to ISO 4406

The International Standards Organisation standard ISO 4406 is the preferred method of quoting the number of solid contaminant particles in a sample.

The code is constructed from the combination of three scale numbers selected from the following table.

The first number represents the number of particles that are larger than $4 \mu\text{m}_{(c)}$.

The second number represents the number of particles larger than $6 \mu\text{m}_{(c)}$.

The third scale number represents the number of particles in a millilitre sample of the fluid that are larger than $14 \mu\text{m}_{(c)}$.

ISO 4406 - Allocation of Scale Numbers

Class	Number of particles per ml	
	Over	Up to
28	1 300 000	2 500 000
27	640 000	1 300 000
26	320 000	640 000
25	160 000	320 000
24	80 000	160 000
23	40 000	80 000
22	20 000	40 000
21	10 000	20 000
20	5 000	10 000
19	2 500	5 000
18	1 300	2 500
17	640	1 300
16	320	640
15	160	320
14	80	160
13	40	80
12	20	40
11	10	20
10	5	10
9	2.5	5
8	1.3	2.5
7	0.64	1.3
6	0.32	0.64
5	0.16	0.32
4	0.08	0.16
3	0.04	0.08
2	0.02	0.04
1	0.01	0.02
0	0	0.01

> $4 \mu\text{m}_{(c)}$ = 350 particles

> $6 \mu\text{m}_{(c)}$ = 100 particles

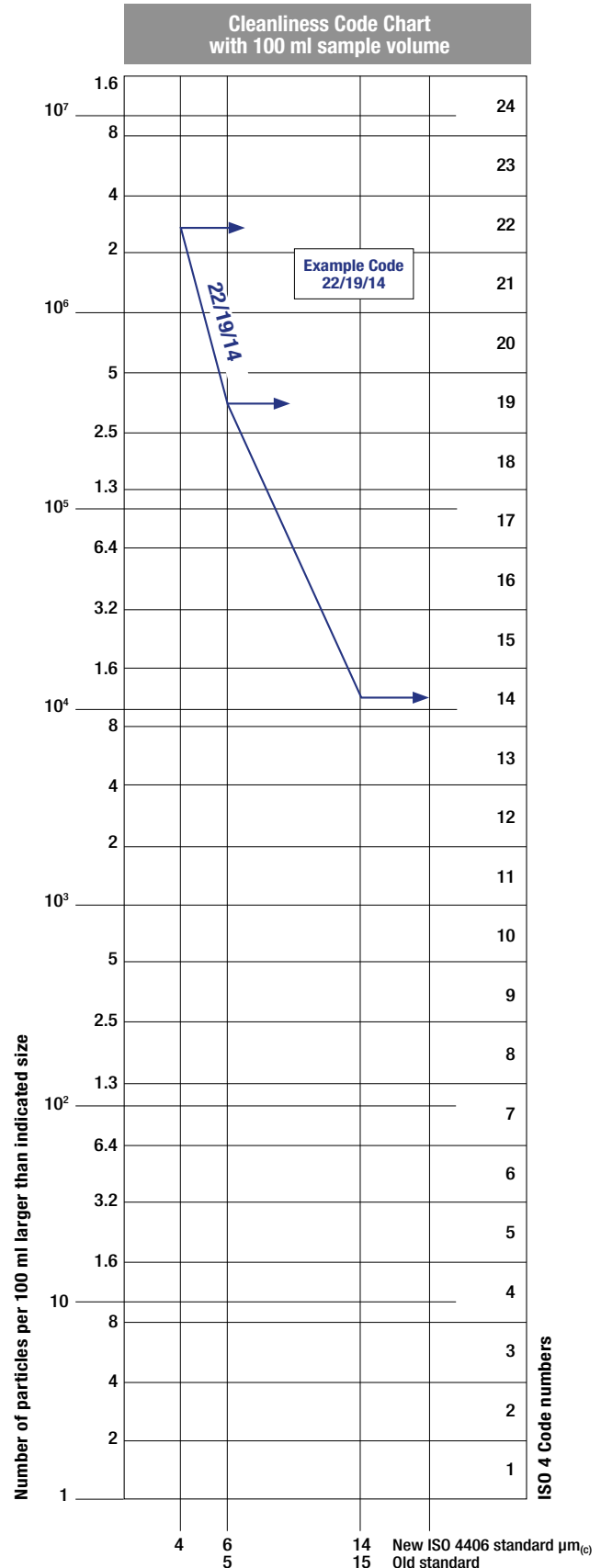
> $14 \mu\text{m}_{(c)}$ = 25 particles

16 / 14 / 12

ISO 4406 Cleanliness Code System

Microscope counting examines the particles differently to APCs and the code is given with two scale numbers only.

These are at $5 \mu\text{m}$ and $15 \mu\text{m}$ equivalent to the $6 \mu\text{m}_{(c)}$ and $14 \mu\text{m}_{(c)}$ of APCs.



- CUMULATIVE DISTRIBUTION OF THE PARTICLES SIZE - SAE AS 4059-1 and SAE AS 4059-2

Classification example according to

SAE AS4059 - Rev. E and SAE AS4059-2 - Rev. F

The code, prepared for the aerospace industry, is based on the size, quantity, and particle spacing in a 100 ml fluid sample. The contamination classes are defined by numeric codes, the size of the contaminant is identified by letters (A-F).

SAE AS4059 - REV. E

It can be made a differential measurement (Table 1) or a cumulative measurement (Table 2)

Table 1 - Class for differential measurement

Class	Dimension of contaminant Maximum Contamination Limits per 100 ml				
	6-14 $\mu\text{m}_{(c)}$	14-21 $\mu\text{m}_{(c)}$	21-38 $\mu\text{m}_{(c)}$	38-70 $\mu\text{m}_{(c)}$	>70 $\mu\text{m}_{(c)}$
00	125	22	4	1	0
0	250	44	8	2	0
1	500	89	16	3	1
2	1 000	178	32	6	1
3	2 000	356	63	11	2
4	4 000	712	126	22	4
5	8 000	1 425	253	45	8
6	16 000	2 850	506	90	16
7	32 000	5 700	1 012	180	32
8	64 000	11 400	2 025	360	64
9	128 000	22 800	4 050	720	128
10	256 000	45 600	8 100	1 440	256
11	512 000	91 200	16 200	2 880	512
12	1 024 000	182 400	32 400	5 760	1 024

6 - 14 $\mu\text{m}_{(c)}$ = 15 000 particles
14 - 21 $\mu\text{m}_{(c)}$ = 2 200 particles
21 - 38 $\mu\text{m}_{(c)}$ = 200 particles
38 - 70 $\mu\text{m}_{(c)}$ = 35 particles
> 70 $\mu\text{m}_{(c)}$ = 3 particles
SAE AS4059 REV E - Class 6

Table 2 - Class for cumulative measurement

Class	Dimension of contaminant Maximum Contamination Limits per 100 ml					
	>4 $\mu\text{m}_{(c)}$	>6 $\mu\text{m}_{(c)}$	>14 $\mu\text{m}_{(c)}$	>21 $\mu\text{m}_{(c)}$	>38 $\mu\text{m}_{(c)}$	>70 $\mu\text{m}_{(c)}$
000	195	76	14	3	1	0
00	390	152	27	5	1	0
0	780	304	54	10	2	0
1	1 560	609	109	20	4	1
2	3 120	1 217	217	39	7	1
3	6 250	2 432	432	76	13	2
4	12 500	4 864	864	152	26	4
5	25 000	9 731	1 731	306	53	8
6	50 000	19 462	3 462	612	106	16
7	100 000	38 924	6 924	1 224	212	32
8	200 000	77 849	13 849	2 449	424	64
9	400 000	155 698	27 698	4 898	848	128
10	800 000	311 396	55 396	9 796	1 696	256
11	1 600 000	622 792	110 792	19 592	3 392	512
12	3 200 000	1 245 584	221 584	39 184	6 784	1 024

> 4 $\mu\text{m}_{(c)}$ = 45 000 particles
> 6 $\mu\text{m}_{(c)}$ = 15 000 particles
> 14 $\mu\text{m}_{(c)}$ = 1 500 particles
> 21 $\mu\text{m}_{(c)}$ = 250 particles
> 38 $\mu\text{m}_{(c)}$ = 15 particles
> 70 $\mu\text{m}_{(c)}$ = 3 particle
SAE AS4059 REV E 6A/6B/5C/5D/4E/2F

The information reproduced on this page is a brief extract from SAE AS4059 Rev.E, revised in May 2005. For further details and explanations refer to the full Standard.

SAE AS4059 - REV. F

It can be made a differential measurement (Table 1) or a cumulative measurement (Table 2)

Table 1 - Class for differential measurement

Class	Dimension of contaminant Maximum Contamination Limits per 100 ml				
	5-15 μm	15-25 μm	25-50 μm	50-100 μm	>100 μm
	6-14 $\mu\text{m}_{(c)}$	14-21 $\mu\text{m}_{(c)}$	21-38 $\mu\text{m}_{(c)}$	38-70 $\mu\text{m}_{(c)}$	>70 $\mu\text{m}_{(c)}$
00	125	22	4	1	0
0	250	44	8	2	0
1	500	89	16	3	1
2	1 000	178	32	6	1
3	2 000	356	63	11	2
4	4 000	712	126	22	4
5	8 000	1 425	253	45	8
6	16 000	2 850	506	90	16
7	32 000	5 700	1 012	180	32
8	64 000	11 400	2 025	360	64
9	128 000	22 800	4 050	720	128
10	256 000	45 600	8 100	1 440	256
11	512 000	91 200	16 200	2 880	512
12	1 024 000	182 400	32 400	5 760	1 024

6 - 14 $\mu\text{m}_{(c)}$ = 15 000 particles
14 - 21 $\mu\text{m}_{(c)}$ = 2 200 particles
21 - 38 $\mu\text{m}_{(c)}$ = 200 particles
38 - 70 $\mu\text{m}_{(c)}$ = 35 particles
> 70 $\mu\text{m}_{(c)}$ = 3 particles
SAE AS4059 REV F - Class 6

- (1) Size range, microscope particle counts, based on longest dimension as measured per AS598 or ISO 4407.
- (2) Size range, APC calibrated per ISO 11171 or an optical or electron microscope with image analysis software, based on projected area equivalent diameter.
- (3) Contamination classes and particle count limits are identical to NAS 1638.

Table 2 - Class for cumulative measurement

Class	Dimension of contaminant Maximum Contamination Limits per 100 ml					
	>1 μm	>5 μm	>15 μm	>25 μm	>50 μm	>100 μm
	>4 $\mu\text{m}_{(c)}$	>6 $\mu\text{m}_{(c)}$	>14 $\mu\text{m}_{(c)}$	>21 $\mu\text{m}_{(c)}$	>38 $\mu\text{m}_{(c)}$	>70 $\mu\text{m}_{(c)}$
000	195	76	14	3	1	0
00	390	152	27	5	1	0
0	780	304	54	10	2	0
1	1 560	609	109	20	4	1
2	3 120	1 217	217	39	7	1
3	6 250	2 432	432	76	13	2
4	12 500	4 864	864	152	26	4
5	25 000	9 731	1 731	306	53	8
6	50 000	19 462	3 462	612	106	16
7	100 000	38 924	6 924	1 224	212	32
8	200 000	77 849	13 849	2 449	424	64
9	400 000	155 698	27 698	4 898	848	128
10	800 000	311 396	55 396	9 796	1 696	256
11	1 600 000	622 792	110 792	19 592	3 392	512
12	3 200 000	1 245 584	221 584	39 184	6 784	1 024

> 4 $\mu\text{m}_{(c)}$ = 45 000 particles
> 6 $\mu\text{m}_{(c)}$ = 15 000 particles
> 14 $\mu\text{m}_{(c)}$ = 1 500 particles
> 21 $\mu\text{m}_{(c)}$ = 250 particles
> 38 $\mu\text{m}_{(c)}$ = 15 particles
> 70 $\mu\text{m}_{(c)}$ = 3 particle
SAE AS4059 REV F cpc* Class 6 G/6/5/5/4/2

* cumulative particle count

- (1) Size range, optical microscope, based on longest dimension as measured per AS598 or ISO 4407.
- (2) Size range, APC calibrated per ISO 11171 or an optical or electron microscope with image analysis software, based on projected area equivalent diameter.

CONTAMINATION MANAGEMENT

- CLASSES OF CONTAMINATION ACCORDING TO NAS 1638 (January 1964)

The NAS system was originally developed in 1964 to define contamination classes for the contamination contained within aircraft components.

The application of this standard was extended to industrial hydraulic systems simply because nothing else existed at the time.

The coding system defines the maximum numbers permitted of 100 ml volume at various size intervals (differential counts) rather than using cumulative counts as in ISO 4406. Although there is no guidance given in the standard on how to quote the levels, most industrial users quote a single code which is the highest recorded in all sizes and this convention is used on MP Filtri APC's.

The contamination classes are defined by a number (from 00 to 12) which indicates the maximum number of particles per 100 ml, counted on a differential basis, in a given size bracket.

Size Range Classes (in microns)

Maximum Contamination Limits per 100 ml					
Class	5-15	15-25	25-50	50-100	>100
00	125	22	4	1	0
0	250	44	8	2	0
1	500	89	16	3	1
2	1 000	178	32	6	1
3	2 000	356	63	11	2
4	4 000	712	126	22	4
5	8 000	1 425	253	45	8
6	16 000	2 850	506	90	16
7	32 000	5 700	1 012	180	32
8	64 000	11 400	2 025	360	64
9	128 000	22 800	4 050	720	128
10	256 000	45 600	8 100	1 440	256
11	512 000	91 200	16 200	2 880	512
12	1 024 000	182 400	32 400	5 760	1 024

5 - 15 µm = 42 000 particles
15 - 25 µm = 2 200 particles
25 - 50 µm = 150 particles
50 - 100 µm = 18 particles
> 100 µm = 3 particles
Class NAS 8

- CUMULATIVE DISTRIBUTION OF THE PARTICLES SIZE - ISO 4407

The level of contamination is defined by counting the number of particles collected by a laboratory membrane per unit of fluid volume. The measurement is done by a microscope. The membrane must be cleaned, dried and desiccated, with fluid and conditions defined by the Standard. The fluid volume is filtered through the membrane, using a suitable suction system.

The level of contamination is identified by dividing the membrane into a predefined number of areas and by counting the contaminant particles using a suitable laboratory microscope.

MICROSCOPE CONTROL AND MEASUREMENT



Example figure 1 and 2

ISO 4406
SAE AS4059E Table 1
NAS 1638
SAE AS4059E Table 2

COMPARISON PHOTOGRAPH'S
1 graduation = 10µm

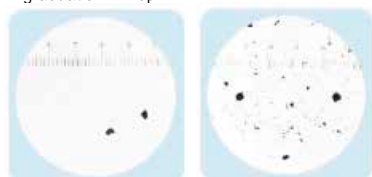


Fig. 1

Fig. 2

Class 16/14/11 Class 22/20/17
Class 5 Class 11
Class 5 Class 11
Class 6A/5B/5C Class 12A/11B/11C

For other comparison photographs for contamination classes see the "Fluid Condition and Filtration Handbook".

- CLEANLINESS CODE COMPARISON

Although ISO 4406 standard is being used extensively within the hydraulics industry other standards are occasionally required and a comparison may be requested. The table below gives a very general comparison but often no direct comparison is possible due to the different classes and sizes involved.

ISO 4406	SAE AS4059 Table 2	SAE AS4059 Table 1	NAS 1638
> 4 µm _(c) 6 µm _(c) 14 µm _(c)	> 4 µm _(c) 6 µm _(c) 14 µm _(c)	4-6 6-14 14-21 21-38 38-70 >70	5-15 15-25 25-50 50-100 >100
23 / 21 / 18	13A / 12B / 12C	12	12
22 / 20 / 17	12A / 11B / 11C	11	11
21 / 19 / 16	11A / 10B / 10C	10	10
20 / 18 / 15	10A / 9B / 9C	9	9
19 / 17 / 14	9A / 8B / 8C	8	8
18 / 16 / 13	8A / 7B / 7C	7	7
17 / 15 / 12	7A / 6B / 6C	6	6
16 / 14 / 11	6A / 5B / 5C	5	5
15 / 13 / 10	5A / 4B / 4C	4	4
14 / 12 / 09	4A / 3B / 3C	3	3

5 RECOMMENDED CONTAMINATION CLASSES

The table below, gives a selection of maximum contamination levels that are typically issued by component manufacturer.

These relate to the use of the correct viscosity mineral fluid. An even cleaner level may be needed if the operation

is severe, such as high frequency fluctuations in loading, high temperature or high failure risk.

Piston pumps with fixed flow rate	•					
Piston pumps with variable flow rate			•			
Vane pumps with fixed flow rate		•				
Vane pumps with variable flow			•			
Engines	•					
Hydraulic cylinders	•					
Actuators					•	
Test benches						•
Check valve	•					
Directional valves	•					
Flow regulating valves	•					
Proportional valves				•		
Servo-valves					•	
Flat bearings			•			
Ball bearings				•		
ISO 4406 CODE	20/18/15	19/17/14	18/16/13	17/15/12	16/14/11	15/13/10
Recommended filtration β _{x(c)} ≥1.000	>1000	>1000	>1000	>1000	>1000	>1000
	β _{20(c)}	β _{15(c)}	β _{10(c)}	β _{7(c)}	β _{7(c)}	β _{5(c)}

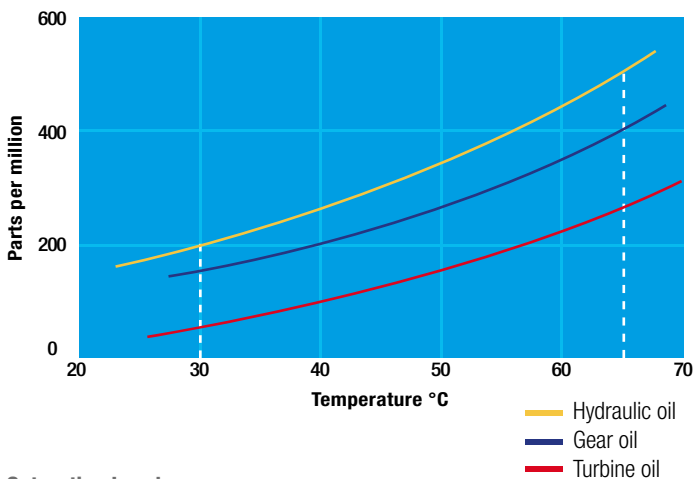
6 WATER IN HYDRAULIC AND LUBRICATING FLUIDS

Water Content

In mineral oils and non aqueous resistant fluids water is undesirable. Mineral oil usually has a water content of 50-300 ppm (@40°C) which it can support without adverse consequences.

Once the water content exceeds about 300 ppm the oil starts to appear hazy. Above this level there is a danger of free water accumulating in the system in areas of low flow. This can lead to corrosion and accelerated wear.

Similarly, fire resistant fluids have a natural water which may be different to mineral oil.



Saturation Levels

Since the effects of free (also emulsified) water is more harmful than those of dissolved water, water levels should remain well below the saturation point.

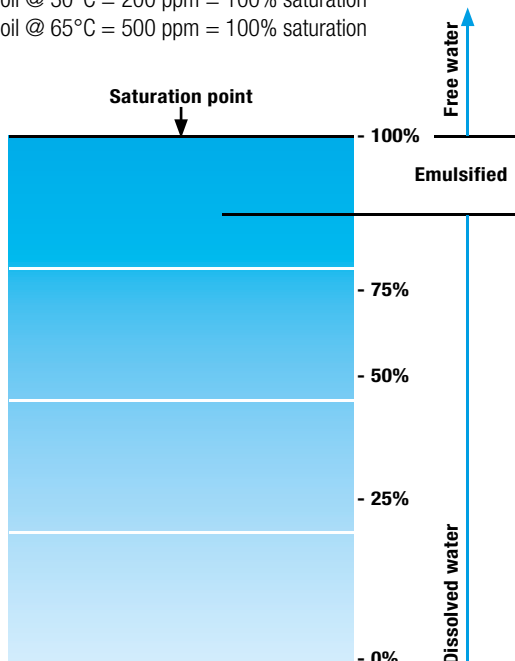
However, even water in solution can cause damage and therefore every reasonable effort should be made to keep saturation levels as low as possible. There is no such thing as too little water. As a guideline, we recommend maintaining saturation levels below 50% in all equipment.

TYPICAL WATER SATURATION LEVEL FOR NEW OILS

Examples:

Hydraulic oil @ 30°C = 200 ppm = 100% saturation

Hydraulic oil @ 65°C = 500 ppm = 100% saturation



W - Water and Temperature Sensing

“W” option, in MP Filtri Contamination Monitoring Products, indicates water content as a percentage of saturation and oil temperature in degrees centigrade. 100% RH corresponds to the point at which free water can exist in the fluid. i.e. the fluid is no longer able to hold the water in a dissolved solution.

The sensor can help provide early indication of costly failure due to free water, including but not exclusive to corrosion, metal surface fatigue e.g. bearing failure, reduced lubrication & load carrying characteristics.

Different oils have different saturation levels and therefore RH (relative humidity) % is the best and most practical measurement.

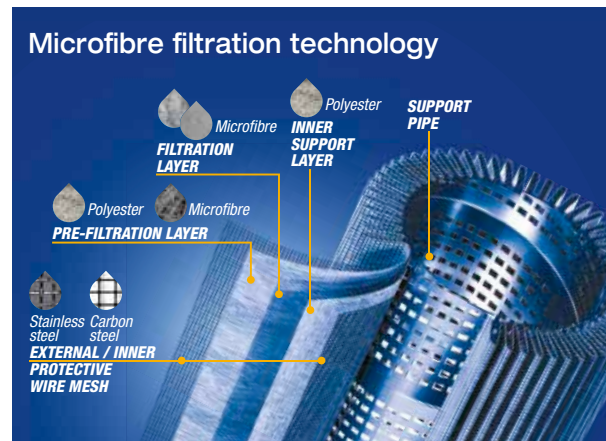
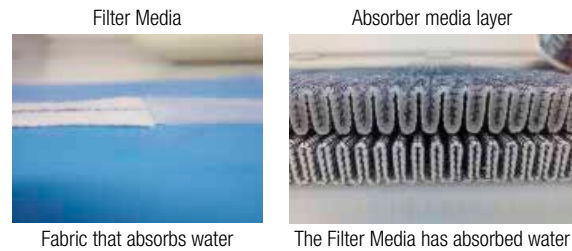
Water absorber

Water is present everywhere, during storage, handling and servicing.

MP Filtri filter elements feature an absorbent media which protects hydraulic systems from both particulate and water contamination.

MP Filtri’s filter element technology is available with inorganic microfiber media with a filtration rating 25 µm (therefore identified with media designation WA025, providing absolute filtration of solid particles to $\beta_{X(c)} = 1000$).

Absorbent media is made by water absorbent fibres which increase in size during the absorption process. Free water is thus bonded to the filter media and completely removed from the system (it cannot even be squeezed out).



By removing water from your fluid power system, you can prevent such key problems as:

- corrosion (metal etching)
- loss of lubricant power
- accelerated abrasive wear in hydraulic components
- valve-locking
- bearing fatigue
- viscosity variance (reduction in lubricating properties)
- additive precipitation and oil oxidation
- increase in acidity level
- increased electrical conductivity (loss of dielectric strength)
- slow/weak response of control systems

Product availability - UFM Series:

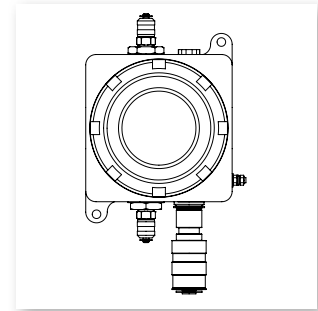
UFM 041 - UFM 051 - UFM 091 - UFM 181 - UFM 919

Description

Contamination Monitoring Products

Ex Atex Zone 2, Cat 3G, Fluid Contamination Monitors

Our AZ2 contamination monitor can automatically measure and save particulate contamination, moisture and temperature levels in various hydraulic fluids. They are designed specifically to be mounted directly to systems where ongoing measurement or analysis is required in high risk or explosive environments.



> Features & Benefits

- 8 channel contamination measurement & display
- Measures and displays the following international standard formats:
ISO 4406, NAS 1638, AS 4059E
- RS485, MODBUS, CANBUS
- Moisture and temperature sensing fluid dependent
- Data logging and 4000 test result memory
- Automatic and remote control flexibility
- Multicolour indicators via onboard LED with output alarm signals as standard
- LPA View software (included)

Scope of Supply

- 1 x ICMKAZ2 (*)
- 1 x Atex approved non wired cable connector and gland
- 1 x Hard copy Fluid Condition Handbook
- 1 x Digital copy of user guides/software/drivers
- 1 x Hard copy of calibration certificate
- 1 x Hard copy of atex certificate

(*) Specific model will be as per ordered item

See Accessories at page 93

Status LED

All AZ2 versions have a multicolour indicator on the front panel, which is used to indicate the status or alarm state. The alarm thresholds can be set from LPA-View via the serial interface and bespoke connector (available on request).

Multicolor indicators

- Green indicates that the test result passed, i.e. none of the alarm thresholds were exceeded
- Yellow indicates that the lower cleanliness limit was exceeded, but not the upper one
- Red indicates that the upper cleanliness limit was exceeded
- Blue indicates that the upper water content limit was exceeded
- Red/Blue Alternating indicates both cleanliness and water content upper limits exceeded
- Violet indicates that the upper temperature limit was exceeded



Front facing view



Right facing view



Top facing view



Bottom facing view

Technical data

Technology

LED Based Light Extinction Automatic Optical Contamination Monitor

Particle Sizing

>4, 6, 14, 21, 25, 38, 50, 70 $\mu\text{m}_{(c)}$

Analysis range

ISO 4406 Code 0 to 25

NAS 1638 Class 00 to 12

AS4059 Rev. E Table 1&2 Sizes A-F: 000 to 12

Accuracy

$\pm 1/2$ ISO code for 4, 6, 14 $\mu\text{m}_{(c)}$

± 1 code for 21, 25, 38, 50, 70 $\mu\text{m}_{(c)}$

Calibration

Individually calibrated with ISO Medium Test Dust (MTD)

based on ISO 11171, on equivalent certified by I.F.T.S. ISO 11943

Operating Flow Rate

20 - 400 ml/minute

Viscosity range

Up to 1000 cSt

Fluid temperature

Minimum: -25 °C

Maximum: +80 °C

Ambient Temperature

Minimum: -25 °C

Maximum: +80 °C

Pressure

Maximum: 400 bar / 5802 psi (for high frequency pressure pulse and out range temperature applications contact MP Filtri)

Test time

Adjustable 10 - 3600 seconds. Factory set to 120 seconds.

Start delay & programmable test intervals available as standard

Flow rate measurement

Indicator only

Moisture Sensing

% RH (Relative Humidity) $\pm 3\%$

Temperature Measurement

± 3 °C

Data Storage

Up to 4000 tests

Communication options

RS485, RS232, MODBUS, CANBUS as standard

Relays

Two solid state relays fitted to "R" version for output to alarm circuits

Environmental Protection

IP66

Weight / Dimensions

10.5 kg, Height 320 mm, Depth 130 mm, Width 186 mm

Supply Voltage

9-36VDC

Current Supply

12V - 150mA

24V - 80mA

36V - 60mA

Power consumption

<2.2 W

Outer Casing Finish

Stainless Steel

Wetted parts

M - C46400 Cu alloy, 316 stainless steel, FPM, FR4, sapphire.

N - 316 stainless steel, FPM, sapphire.

S - 316 stainless steel, perfluoro elastomer, sapphire, EPDM.

Software

LPA View software (included)

Atex classification

CE  3 G EX nR IIB T5 GC IP66

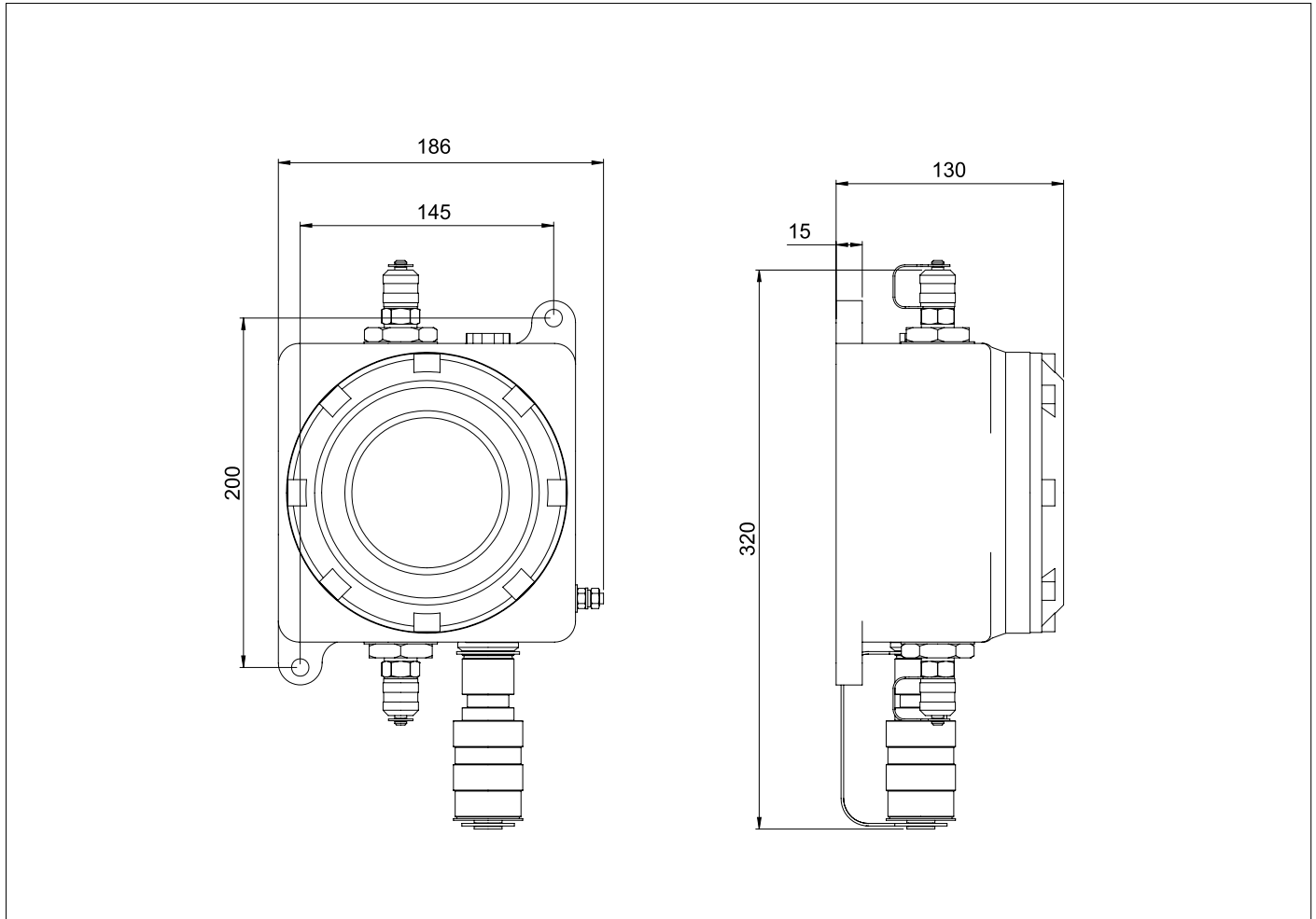
ICM AZ2 cable wiring details

MP Filtri do not supply an ATEX approved cable with the ICM AZ2 products as customers may run such cables through varying ATEX zones. Wiring diagrams supplied, please consult product user guide for full information.

Note: an adapter cable and ICMUSBi product will be required should LPA View be utilised as the control software. These accessories are only suitable for use outside of the zoned areas

AZ2 is supplied with a full software package and digital product information

Dimensions



Designation & Ordering code

AUTOMATIC PARTICLE COUNTER AZ2

Configurations :

ICM	W	M	K	R	G1	AZ2	Moisture Sensor, Mineral / Petroleum based fluids, LCD Display, Relays, M16x2 test point connections
ICM	O	M	K	R	G1	AZ2	Mineral / Petroleum based fluids, LCD Display, Relays, M16x2 test point connections
ICM	O	N	K	R	G1	AZ2	Off shore / Water based fluids, LCD Display, Relays, M16x2 test point connections
ICM	O	S	K	R	G1	AZ2	Phosphate Ester and aggressive fluids, LCD output, Relays, M16x2 test point connections

All of MP Filtri's AZ2 products are designed to be run via PLC control & the Modbus communication protocol.

Note: All units are fully compatible with and can be programmed via our bespoke windows based LPA View software.

FLUID COMPATIBILITY CHARTS

HYDROCARBON AND SYNTHETIC

Fluid type	Fluid spec.	ICM				LPA				CML				BS110		BS500		
		M	(W)	N	S	M	(W)	N	S	M	(W)	N	S	M	V	E	S	
SYNTHETIC OR MINERAL BASED LIQUIDS	AEROSHELL FLUID 31 (OX-19)	Yellow	Yellow	Green	Green	Yellow	Yellow	Green	Green	Yellow	Yellow	Green	Green	Yellow	Green	Red	Green	
	AEROSHELL FLUID 51	Green	Green	Green	Green	Green	Green	Green	Green	Green	Green	Green	Green	Green	Green	Red	Green	
	AEROSHELL FLUID 602	Green	Green	Green	Green	Green	Green	Green	Green	Green	Green	Green	Green	Green	Green	Red	Green	
	CASTROL CONSTAB PS 10W-40	Green	Green	Green	Green	Green	Green	Green	Green	Green	Green	Green	Green	Green	Green	Red	Green	
	DIESEL CALIBRATION OIL 4113	Green	Green	Green	Green	Green	Green	Green	Green	Green	Green	Green	Green	Green	Green	Red	Green	
	FINA POLYGLYCOL FLUID	Yellow	Yellow	Yellow	Yellow	Yellow	Yellow	Yellow	Yellow	Yellow	Yellow	Yellow	Yellow	Yellow	Yellow	Red	Yellow	
	GEAROL ISO VG 320	Green	Green	Green	Green	Green	Green	Green	Green	Green	Green	Green	Green	Green	Green	Red	Green	
	ISO 32	Green	Green	Green	Green	Green	Green	Green	Green	Green	Green	Green	Green	Green	Green	Red	Green	
	ISO 46	Green	Green	Green	Green	Green	Green	Green	Green	Green	Green	Green	Green	Green	Green	Red	Green	
	ISO 68	Green	Green	Green	Green	Green	Green	Green	Green	Green	Green	Green	Green	Green	Green	Red	Green	
	MIL-H-5606	Green	Green	Green	Green	Green	Green	Green	Green	Green	Green	Green	Green	Green	Green	Red	Green	
	MIL-H-83282	Green	Green	Green	Green	Green	Green	Green	Green	Green	Green	Green	Green	Green	Green	Red	Green	
	MIL-H-87257	Green	Green	Green	Green	Green	Green	Green	Green	Green	Green	Green	Green	Green	Green	Red	Green	
	MOBILGEAR SHC XMP 320	Yellow	Yellow	Yellow	Yellow	Yellow	Yellow	Yellow	Yellow	Yellow	Yellow	Yellow	Yellow	Yellow	Yellow	Red	Yellow	
	NATO H-515 (OM-15)	Green	Green	Green	Green	Green	Green	Green	Green	Green	Green	Green	Green	Green	Green	Red	Green	
	NATO H-520 (OM-18)	Green	Green	Green	Green	Green	Green	Green	Green	Green	Green	Green	Green	Green	Green	Red	Green	
	NATO H-537	Green	Green	Green	Green	Green	Green	Green	Green	Green	Green	Green	Green	Green	Green	Red	Green	
	RENOLIN PG 68	Green	Green	Green	Green	Green	Green	Green	Green	Green	Green	Green	Green	Green	Green	Red	Green	
	RENOLIN PG 100	Green	Green	Green	Green	Green	Green	Green	Green	Green	Green	Green	Green	Green	Green	Red	Green	
	RENOLIN PG 150	Green	Green	Green	Green	Green	Green	Green	Green	Green	Green	Green	Green	Green	Green	Red	Green	
	RENOLIN PG 220	Green	Green	Green	Green	Green	Green	Green	Green	Green	Green	Green	Green	Green	Green	Red	Green	
	RENOLIN PG 320	Green	Green	Green	Green	Green	Green	Green	Green	Green	Green	Green	Green	Yellow	Green	Red	Green	
	RENOLIN PG 460	Yellow	Yellow	Yellow	Yellow	Yellow	Yellow	Yellow	Yellow	Yellow	Yellow	Yellow	Yellow	Yellow	Yellow	Red	Yellow	
	RENOLIN PG 680	Yellow	Yellow	Yellow	Yellow	Yellow	Yellow	Yellow	Yellow	Yellow	Yellow	Yellow	Yellow	Yellow	Yellow	Red	Yellow	
	RENOLIN PG 1000	Yellow	Yellow	Yellow	Yellow	Yellow	Yellow	Yellow	Yellow	Yellow	Yellow	Yellow	Yellow	Yellow	Yellow	Red	Yellow	
	RENOLIN UNISYN OL 32	Green	Green	Green	Green	Green	Green	Green	Green	Green	Green	Green	Green	Green	Green	Red	Green	
	RENOLIN UNISYN OL 46	Green	Green	Green	Green	Green	Green	Green	Green	Green	Green	Green	Green	Green	Green	Red	Green	
	RENOLIN UNISYN OL 68	Green	Green	Green	Green	Green	Green	Green	Green	Green	Green	Green	Green	Green	Green	Red	Green	
	RENOLIN UNISYN OL 100	Green	Green	Green	Green	Green	Green	Green	Green	Green	Green	Green	Green	Green	Green	Red	Green	
	RENOLIN UNISYN OL 150	Green	Green	Green	Green	Green	Green	Green	Green	Green	Green	Green	Green	Green	Green	Red	Green	
STATOIL HYDRAULIC 131	Green	Green	Green	Green	Green	Green	Green	Green	Green	Green	Green	Green	Green	Green	Red	Green		
AERO HF585B	Green	Green	Green	Green	Green	Green	Green	Green	Green	Green	Green	Green	Green	Green	Red	Green		
MOBIL DTE 25	Green	Green	Green	Green	Green	Green	Green	Green	Green	Green	Green	Green	Green	Green	Red	Green		

For special applications or for fluids not mentioned in this table, please contact MP Filtri Technical and Sales Department. Alternatively, visit the services section of our website where we have details on fluid testing and analysis. For guidance on moisture sensing compatibility, contact MP Filtri Technical and Sales Department. Typically conductive fluids are not compatible with the moisture sensor.

■ Compatible
■ Not compatible
■ Contact MP Filtri

Please note that compatibility is based product performance with fluid viscosity at 20 °C in standard dye colourant or natural state. Tests are conducted with the suitable fluid in its pure state. Performance of solutions or mixed emulsions cannot be guaranteed. "Compatibility" is defined as a liquid which does not suffer short or long term degradation as a result of coming into contact with the wetted materials contained within the product. It is also a confirmation that the transparency of the liquid is suitable for the sensitivity of the product range.

For details on the specific product code required for your fluid, contact contact MP Filtri Technical and Sales Department.

FLUID COMPATIBILITY CHARTS

OFFSHORE

Fluid type	Fluid spec.	ICM				LPA				CML				BS110		BS500	
		M	(W)	N	S	M	(W)	N	S	M	(W)	N	S	M	V	E	S
OFFSHORE & SELECTED WATER BASED FLUIDS	HW443	Red	Red	Green	Green	Red	Red	Green	Green	Red	Red	Green	Green	Red	Red	Green	Green
	HW443R	Red	Red	Green	Green	Red	Red	Green	Green	Red	Red	Green	Green	Red	Red	Green	Green
	HW453	Red	Red	Green	Green	Red	Red	Green	Green	Red	Red	Green	Green	Red	Red	Green	Green
	HW540	Red	Red	Green	Green	Red	Red	Green	Green	Red	Red	Green	Green	Red	Red	Green	Green
	HW540	Red	Red	Green	Green	Red	Red	Green	Green	Red	Red	Green	Green	Red	Red	Green	Green
	PELAGIC 50	Red	Red	Green	Green	Red	Red	Green	Green	Red	Red	Green	Green	Red	Red	Green	Green
	PELAGIC 100	Red	Red	Green	Green	Red	Red	Green	Green	Red	Red	Green	Green	Red	Red	Green	Green
	TRANSAQUA HT	Red	Red	Green	Green	Red	Red	Green	Green	Red	Red	Green	Green	Red	Red	Green	Green
	TRANSAQUA HT2	Red	Red	Green	Green	Red	Red	Green	Green	Red	Red	Green	Green	Red	Red	Green	Green
	FRESH WATER	Red	Red	Green	Green	Red	Red	Green	Green	Red	Red	Green	Green	Red	Red	Green	Green
	DE-IONISED WATER	Red	Red	Green	Green	Red	Red	Green	Green	Red	Red	Green	Green	Red	Red	Green	Green
	SEAWATER	Red	Red	Yellow	Yellow	Red	Red	Yellow	Yellow	Red	Red	Yellow	Yellow	Red	Red	Green	Green
	HOUGHTO-SAFE 273 CTF	Red	Red	Yellow	Yellow	Red	Red	Yellow	Yellow	Red	Red	Yellow	Yellow	Red	Red	Green	Green
	HOUGHTO-SAFE BC24046	Red	Red	Green	Green	Red	Red	Green	Green	Red	Red	Green	Green	Red	Red	Green	Green
	WATER GLYCOL HFC 46	Red	Red	Green	Green	Red	Red	Green	Green	Red	Red	Green	Green	Red	Red	Green	Green
	LF2100 (99%WATER, 1% MIX)	Red	Red	Yellow	Yellow	Red	Red	Yellow	Yellow	Red	Red	Yellow	Yellow	Red	Red	Green	Green
	SV3	Red	Red	Yellow	Yellow	Red	Red	Yellow	Yellow	Red	Red	Yellow	Yellow	Red	Red	Green	Green

AGGRESSIVE FLUIDS

Fluid type	Fluid spec.	ICM				LPA				CML				BS110		BS500	
		M	(W)	N	S	M	(W)	N	S	M	(W)	N	S	M	V	E	S
PHOSPHATE ESTHER & AGGRESSIVE LIQUID APPLICATIONS	HYJET IV	Red	Red	Red	Green	Red	Red	Red	Green	Red	Red	Red	Green	Red	Red	Green	Green
	HYJET V	Red	Red	Red	Green	Red	Red	Red	Green	Red	Red	Red	Green	Red	Red	Green	Green
	SKYDROL 500B	Red	Red	Red	Green	Red	Red	Red	Green	Red	Red	Red	Green	Red	Red	Green	Green
	SKYDROL 500B4	Red	Red	Red	Green	Red	Red	Red	Green	Red	Red	Red	Green	Red	Red	Green	Green
	SKYDROL LD4	Red	Red	Red	Green	Red	Red	Red	Green	Red	Red	Red	Green	Red	Red	Green	Green

- Compatible
- Not compatible
- Contact MP Filtri

For special applications or for fluids not mentioned in this table, please contact MP Filtri Technical and Sales Department. Alternatively, visit the services section of our website where we have details on fluid testing and analysis. For guidance on moisture sensing compatibility, contact MP Filtri Technical and Sales Department. Typically conductive fluids are not compatible with the moisture sensor.

Please note that compatibility is based product performance with fluid viscosity at 20 °C in standard dye colourant or natural state. Tests are conducted with the suitable fluid in its pure state. Performance of solutions or mixed emulsions cannot be guaranteed. "Compatibility" is defined as a liquid which does not suffer short or long term degradation as a result of coming into contact with the wetted materials contained within the product. It is also a confirmation that the transparency of the liquid is suitable for the sensitivity of the product range.

For details on the specific product code required for your fluid, contact contact MP Filtri Technical and Sales Department.

FLUID COMPATIBILITY CHARTS

FUELS

Fluid type	Fluid spec.	ICM				LPA				CML				BS110		BS500		
		M	(W)	N	S	M	(W)	N	S	M	(W)	N	S	M	V	E	S	
FUELS	JET A-1	Yellow	Yellow	Green	Green	Red	Red	Green	Green	Red	Red	Green	Green	Green	Yellow	Red	Green	
	JET A	Yellow	Yellow	Green	Green	Red	Red	Green	Green	Red	Red	Green	Green	Green	Yellow	Red	Green	
	JET B	Yellow	Yellow	Green	Green	Red	Red	Green	Green	Red	Red	Green	Green	Green	Yellow	Red	Green	
	JP1	Yellow	Yellow	Green	Green	Red	Red	Green	Green	Red	Red	Green	Green	Green	Yellow	Red	Green	
	JP5	Yellow	Yellow	Green	Green	Red	Red	Green	Green	Red	Red	Green	Green	Green	Yellow	Red	Green	
	JP6	Yellow	Yellow	Green	Green	Red	Red	Green	Green	Red	Red	Green	Green	Green	Yellow	Red	Green	
	JP7	Yellow	Yellow	Green	Green	Red	Red	Green	Green	Red	Red	Green	Green	Green	Yellow	Red	Green	
	JP8	Yellow	Yellow	Green	Green	Red	Red	Green	Green	Red	Red	Green	Green	Green	Yellow	Red	Green	
	JPTS	Yellow	Yellow	Green	Green	Red	Red	Green	Green	Red	Red	Green	Green	Green	Yellow	Red	Green	
	FT JET FUEL	Yellow	Yellow	Green	Green	Red	Red	Green	Green	Red	Red	Green	Green	Green	Yellow	Red	Green	
	GTL JET FUEL BLEND	Yellow	Yellow	Green	Green	Red	Red	Green	Green	Red	Red	Green	Green	Green	Yellow	Red	Green	
	DIESELS	Green	Green	Green	Green	Yellow	Yellow	Yellow	Yellow	Yellow	Yellow	Yellow	Yellow	Green	Green	Green	Green	

BIO FLUIDS

Fluid type	Fluid spec.	ICM				LPA				CML				BS110		BS500		
		M	(W)	N	S	M	(W)	N	S	M	(W)	N	S	M	V	E	S	
BIODEGRADABLE FLUIDS & VEGETABLE OILS	BIO-ETHANOL	Yellow	Yellow	Yellow	Yellow	Yellow	Yellow	Yellow	Yellow	Yellow	Yellow	Yellow	Yellow	Yellow	Green	Green	Green	
	BIO-DIESEL	Yellow	Yellow	Yellow	Yellow	Yellow	Yellow	Yellow	Yellow	Yellow	Yellow	Yellow	Yellow	Yellow	Green	Green	Green	
	PLANTOHYD N SERIES	Yellow	Yellow	Yellow	Yellow	Yellow	Yellow	Yellow	Yellow	Yellow	Yellow	Yellow	Yellow	Yellow	Green	Green	Green	
	PANOLIN HLP SYNTH 22	Yellow	Yellow	Yellow	Yellow	Yellow	Yellow	Yellow	Yellow	Yellow	Yellow	Yellow	Yellow	Yellow	Green	Green	Green	
	SUNFLOWER OIL	Green	Green	Green	Green	Green	Green	Green	Green	Green	Green	Green	Green	Green	Green	Green	Green	
	RAPESEED OIL	Green	Green	Green	Green	Green	Green	Green	Green	Green	Green	Green	Green	Green	Green	Green	Green	
	CORN OIL	Green	Green	Green	Green	Green	Green	Green	Green	Green	Green	Green	Green	Green	Green	Green	Green	
	GROUND NUT OIL	Green	Green	Green	Green	Green	Green	Green	Green	Green	Green	Green	Green	Green	Green	Green	Green	
	CAT BIO HYDO HEES	Yellow	Yellow	Yellow	Yellow	Yellow	Yellow	Yellow	Yellow	Yellow	Yellow	Yellow	Yellow	Yellow	Green	Green	Green	

■ Compatible
■ Not compatible
■ Contact MP Filtri

For special applications or for fluids not mentioned in this table, please contact MP Filtri Technical and Sales Department. Alternatively, visit the services section of our website where we have details on fluid testing and analysis. For guidance on moisture sensing compatibility, contact MP Filtri Technical and Sales Department. Typically conductive fluids are not compatible with the moisture sensor.

Please note that compatibility is based product performance with fluid viscosity at 20 °C in standard dye colourant or natural state. Tests are conducted with the suitable fluid in its pure state. Performance of solutions or mixed emulsions cannot be guaranteed. "Compatibility" is defined as a liquid which does not suffer short or long term degradation as a result of coming into contact with the wetted materials contained within the product. It is also a confirmation that the transparency of the liquid is suitable for the sensitivity of the product range.

For details on the specific product code required for your fluid, contact contact MP Filtri Technical and Sales Department.

SPARE PARTS LIST

Description (product types)	Ordering Code
Calibration Verification Fluid (requires use of Bottle Sampling device)	PCCF
CMP Hydraulic connections / options:	
M16x2 microbore pressure hose, plated steel, 600 mm (M versions)	95.Y30Y30X261060
M16x2 microbore pressure hose, plated steel, 1500 mm (M versions)	95.Y30Y30X261150
M16x2 microbore pressure hose, stainless steel, 600 mm (N versions)	95.Y30Y30X161060
M16x2 microbore pressure hose, stainless steel, 1500 mm (N versions)	95.Y30Y30X161150
Waste Hose (M versions), 2000 mm - Brass / FKM	SK0014S30
Waste Hose (N versions), 2000 mm - Stainless Steel / FKM	SK0014S30N
Waste Hose (S versions), 2000 mm - Stainless Steel / FFKM	SK0014S30S
Offline Hose Assembly	481.027000
Pouch for pressure hose/waste hose	7.106
M16x2 M to F Coarse Screen Filter (M and N versions)	SK0040
G1/4 F to F coarse screen filter (M/N/S versions)	11.615
M16x2 F to F Coarse Screen Filter (S versions)	SK0041
Airbus adaptor with test point	SKAA02
Waste Bottle:	
1 Litre - Round	SK0012
1 Litre - Square (for use with CB0001)	SK0013
Communications:	
Serial cable to USB converter	SK0026
PC Download cable	6.123
USB A-B cable	11.081
Bluetooth Portable Printer	482.016000
1m USB A to C Cable	443.074000
ICMKAZ2 to USBi conversion kit - not to be used in zoned areas	11.645
USB stick with all user guides and LPA-View Software	13.055001
Offline sampling equipment:	
Disposable Dip tubes - pack of 50	BS0018
Hand Pump	BS0020
Hand Pump Hose - 1000 mm	BS0022
Bottle Sampler hand pump and hose kit	BS0024
100 ml Standard Brown Glass Bottle	BS0016
Tray of 72 x 100 ml Standard Brown Glass Bottles	BS0072
100 ml Clear Plastic Bottle	7.111
Box of 20 x 100 ml Clear Plastic Bottles	7.112
250 ml Standard Clear Glass Bottle	8.054
Box of 20 x 250 ml Standard Clear Glass Bottles	8.054-20
500 ml Standard Clear Glass Bottle	8.328
DIN/ISO5584/ISO3722 certified clean, 100 ml clear glass bottle	P.02
DIN/ISO5584/ISO3722 certified clean, 100 ml clear glass bottle - Box of 25	P.0225
DIN/ISO5584/ISO3722 certified clean, 250 ml clear glass bottle	P.03
DIN/ISO5584/ISO3722 certified clean, 250 ml clear glass bottle - Box of 25	P.0320

SPARE PARTS LIST

	LPA2	LPA3	CML2	CML4	ICM 4.0	ICM 2.0	ICMKAZ2	ACMU	PIK	BS110	BS500	ICMUSBi
	•	•	•	•						•	•	
	•	•	•	•	•	•	•			•	•	
	•	•	•	•	•	•	•					
	•	•	•	•	•	•	•			•	•	
	•	•	•	•								
	•	•	•									
	•	•	•									
				•								
	•	•		•					•			
	•	•	•	•			•					
					•	•						
	•	•	•	•			•					
	•											
		•	•							•		
	•	•		•								
	•		•									
	•		•									
		•										•
				•								
				•								
							•					•
	•	•	•	•	•	•	•	•	•	•	•	•
	•											
	•	•										
	•	•										
	•	•										
	•	•										
	•	•										
	•	•										
	•	•										
		•										
		•										
		•										
	•	•										
	•	•										
		•										
		•										

SPARE PARTS LIST

Description (product types)	Ordering Code
Power Options:	
12V. 2A Power Adapter - UK/EU/US/CN/AUS	6.209
19V. 3A Power Adapter	61.034000
12V. 5A Power Adapter for 500 ml Bottle Sampler	8.029
UK Lead for 8.029	8.031
EU Lead for 8.029	8.032
US Lead for 8.029	8.030
CN/AUS Lead for 8.029	8.072
Other:	
Thermal printer paper 57x33 mm	63.083000
Thermal paper roll 57x51 mm	6.160
LPA2 Aviation Edition travel case without foam	TC0005
Replacement foam insert for TC0005	6.300
Heavy-duty orange pelicase	443.061E20
Pelicase foam insert	443.062020
Self-adhesive patch test covers	444.029001
Patch test membranes - 1.2 micron filter	444.010000
Spray bottle	444.018J10
Stainless steel tweezers	444.011120
Waste bottle	444.032J00
Reuseable Nalgene filter assembly	444.024000
0.01 mm Calibration slides	444.025000
Microscope power adaptor	444.033000
Hose - 8 x 6 mm Nalgene vacuum cable	444.026000
Hose - 6 x 4 mm Hand pump sampling cable	7.107
Microscope camera - 1.3 MP	444.016010
Serial plate for patch imaging kit	484.314000
A5 document wallet	444.027001
Patch test report card	444.028001
Electric vacuum pump	444.009000
CML Carry Bag	10.011
LPA3 Carry Bag	63.088000
LPA2 Carry Bag	CB0001
Black support case (without contents)	BS0040
Heavy Duty Travel Case for Bottle Sampler	TC00055B

