

LVA - LVU series

Visual oil level indicator - vertical shape



Technical data

Visual Oil Level Indicators

Oil level indicator - vertical shape

LVA is a range of plastic compact fluid level indicators for monitoring of the fluid level into the tank. They are directly fitted on the tank side. The fluid comes in through the lower connection screw and it is easily visible through the screen.

A white background plate, an orange line for the minimum level and a blue line for the maximum level allow an easy monitoring of the level.

Available features:

- Several male threaded connections, with or without nuts
- Three different sizes, to meet every size of tank
- Thermometer, to check the temperature of the fluid

Common applications:

- Hydraulic systems
- Mobile machines
- Industrial equipment

Materials

- Body: Transparent amorphous polyamide lens
- Polyamide guard
- Seal: NBR / FPM

Operating pressure

Max 1 bar at +80°C

Temperature

From -25 °C to +80 °C

Weight

LVA 10 0.13 kg
LVA 20 0.18 kg
LVA 30 0.23 kg

Quantity

10 pcs/pack



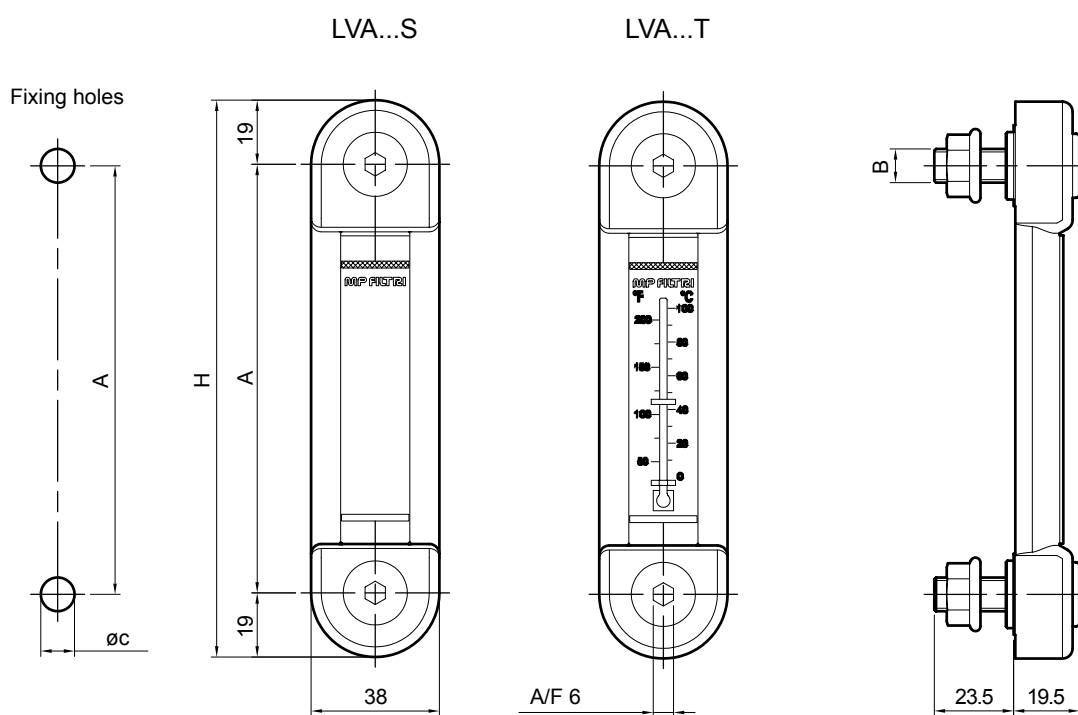
Designation & Ordering code

COMPLETE VISUAL OIL LEVEL INDICATORS

| Series | Configuration example : | | | | | | |
|---------------------------------|-------------------------|----|---|---|---|-----|-----|
| LVA | LVA | 20 | T | A | P | M10 | S01 |
| Size | | | | | | | |
| 10 20 30 | | | | | | | |
| Thermometer | | | | | | | |
| S Without thermometer | | | | | | | |
| T With thermometer | | | | | | | |
| Seals | | | | | | | |
| A NBR | | | | | | | |
| V FPM | | | | | | | |
| Cover material | | | | | | | |
| P Polyamide | | | | | | | |
| Connections | | | | | | | |
| M10 M10 | | | | | | | |
| M12 M12 | | | | | | | |
| U38 3/8" UNC | | | | | | | |
| U12 G 1/2" UNC | | | | | | | |
| Execution | | | | | | | |
| S01 Tag MP Filtri, with nuts | | | | | | | |
| S02 Tag MP Filtri, without nuts | | | | | | | |

| LVA | | |
|--------------|--------|--------|
| Size | A [mm] | H [mm] |
| LVA10 | 76 | 114 |
| LVA20 | 127 | 165 |
| LVA30 | 254 | 292 |

| Type | B [mm] | C [mm] |
|------------------|----------|--------|
| LVA...M10 | M10 | 10.5 |
| LVA...M12 | M12 | 12.5 |
| LVA...U38 | 3/8" UNC | 10.0 |
| LVA...U12 | 1/2" UNC | 13.5 |



Note: for installation onto OB Cleaning covers see page 147

Technical data

Visual Oil Level Indicators

Oil level indicator - vertical shape

LVU is a range of plastic fluid level indicators for monitoring of the fluid level into the tank. They are directly fitted on the tank side.

The fluid comes in through the lower connection screw and it is easily visible through the screen.

A background plate, a red float and the adjustable minimum level and maximum level indicators allow an easy check of the level.

Available features:

- G 3/8" male threaded connections
- Adjustable size on request, to meet every size of tank
- Drain valve, to drop the oil for the maintenance procedures
- Glass screen and "U" protection, to meet heavy duty applications

Common applications:

- Hydraulic systems
- Mobile machines
- Industrial equipment

Materials

- Head: Polyamide
- Connection G 3/8": Nickel plated brass
- G 3/8" valve: Steel
- Seal: NBR
- Pipe: Borosilicate glass, Acrylic
- Float: Polyamide
- Protection: Aluminium
- Clamps min-max: Polyamide

Temperature

From -25 °C to +70 °C

Weight

| Series | version U | version S |
|----------|-----------|-----------|
| LVU 0500 | 0.780 kg | 0.580 kg |
| LVU 1000 | 1.150 kg | 0.790 kg |
| LVU 1500 | 1.550 kg | 1.100 kg |
| LVU 2000 | 1.950 kg | 1.400 kg |

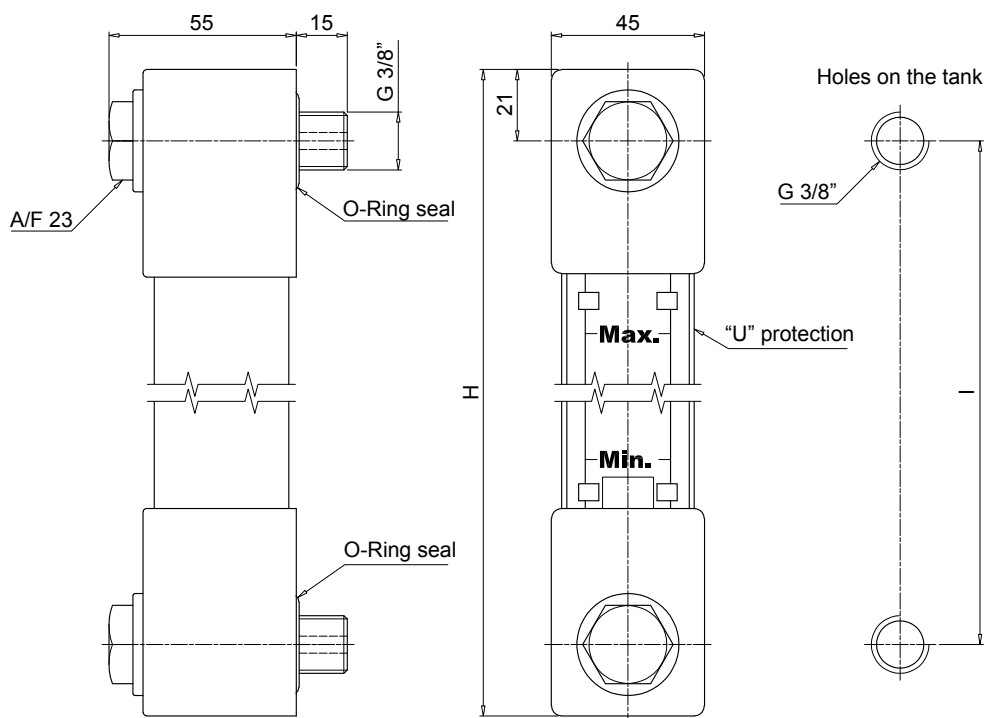


Designation & Ordering code

COMPLETE VISUAL OIL LEVEL INDICATORS

| Series | Configuration example : | | | | | |
|----------------------------|---|------|------|------|----|-----|
| LVU | LVU | 0500 | U | A | 10 | P01 |
| Size | | | | | | |
| 0500 | Distance between center = 500 mm | | | | | |
| 1000 | Distance between center = 1000 mm | | | | | |
| 1500 | Distance between center = 1500 mm | | | | | |
| 2000 | Distance between center = 2000 mm | | | | | |
| Different sizes on request | | | | | | |
| Body | Size | | | | | |
| | 500 | 1000 | 1500 | 2000 | | |
| S | Standard plexiglass | | | | | |
| U | Plexiglass, with "U" protection | | | | | |
| P | Borosilicate glass, with "U" protection | | | | | |
| Seals | | | | | | |
| A | NBR | | | | | |
| V | FPM | | | | | |
| Connections | | | | | | |
| 10 | G 3/8" | | | | | |
| 20 | G 3/8", with drain valve | | | | | |
| Execution | | | | | | |
| P01 | MP Filtri standard | | | | | |
| Pxx | Customized | | | | | |

Without drain valve connection Port Size 10



| LVU | | |
|------|--------|--------|
| Size | H [mm] | I [mm] |
| 0500 | 542 | 500 |
| 1000 | 1042 | 1000 |
| 1500 | 1542 | 1500 |
| 2000 | 2042 | 2000 |

With drain valve connection Port Size 20

